

570.2091N-SW

Flush mounting French socket with with 50x60mm flange



> REFERENCE STANDARD

IEC 60884-1

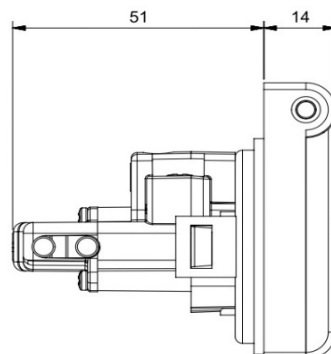
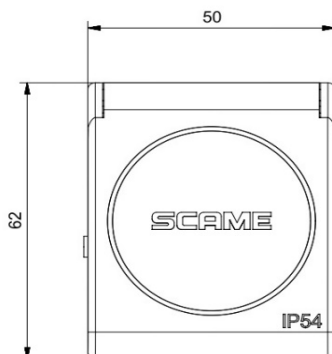
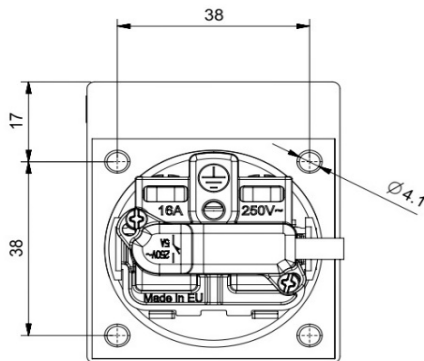
Plugs and socket-outlets for household and similar purposes.

Part. 1: General requirements.

> TECHNICAL CHARACTERISTICS

Rated current:	16A
Rated voltage:	200-250VAC
Frequency:	50-60Hz
Insulating voltage:	250V
Protection degree:	IP54 (IPXXD)
Operating temperature:	-25°C +35°C
Material:	Engineering plastic
Glow wire test:	650-750°C
IK degree at 20°C:	IK08
Color:	Black
Number of poles:	L1-N-PE
Connection capability:	1-4mm²
Salt mist:	Resistant
UV radiation:	Resistant

> DIMENSION



> EQUIPMENTS

1 switch: plug presence