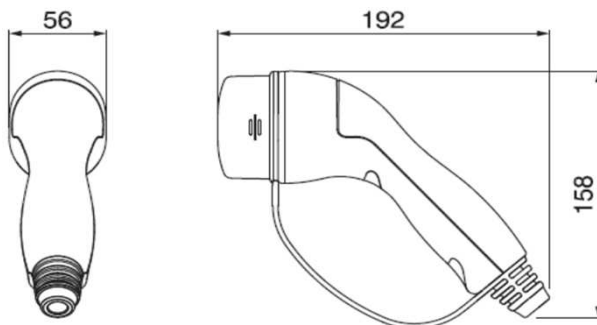


200.33234C2/C4

Mobile plug crimped terminals Type 3C



> DIMENSIONS



> REFERENCE STANDARD

EN 62196-1 (2012)

Plugs, socket-outlets, vehicle couplers and vehicle inlets.
Conductive charging of electric vehicles.
Part 1: General requirements.

EN 62196-2 (2012)

Plugs, socket-outlets and vehicle couplers.
Conductive charging of electric vehicles.
Part 2: Dimensional interchangeability requirements
for a.c. pin and contact-tube accessories.

> TECHNICAL CHARACTERISTICS

Rated current:	32A
Rated voltage:	380-480VAC
Frequency:	50-60Hz
Insulating voltage:	500V
Protection degree:	IP44 (IPXXD)
Operating temperature:	-30°C +50°C
Material:	Engineering plastic
Glow wire test:	850°C
IK degree at 20°C:	IK08
Color:	Grey
Number of poles:	L1-L2-L3-N-E-CP-PP
Connection capability:	2,5 / 4mm²
Salt mist:	Resistant
UV radiation:	Resistant

Accessories:

200.332KITC2: Kit crimped pins 2,5mm²

200.332KITC4: Kit crimped pins 4,0mm²