

## 200.23267S

Flush mounting socket Type 2 with shutter and drain



### > ACCESSORIES

#### Plug latching system

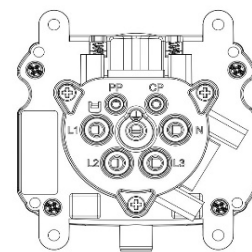
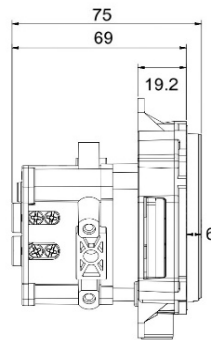
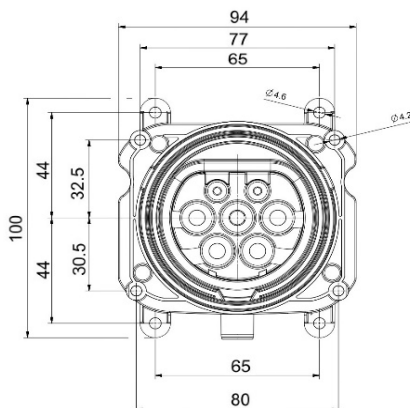
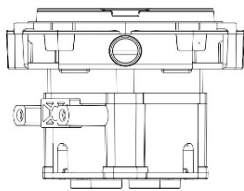
200.23261BS / 200.23261BL / 200.23261BP

#### lids

200.23260CS: Standard lid IP55

200.23260CC: Compact lid IP55

### > DIMENSIONS



### > REFERENCE STANDARD

#### EN 62196-1

Plugs, socket-outlets, vehicle couplers and vehicle inlets.

Conductive charging of electric vehicles.

Part 1: General requirements.

#### EN 62196-2

Plugs, socket-outlets and vehicle couplers.

Conductive charging of electric vehicles.

Part 2: Dimensional interchangeability requirements for a.c. pin and contact-tube accessories.

### > TECHNICAL CHARACTERISTICS

Rated current:	<b>32A</b>
Rated voltage:	<b>380-480VAC</b>
Frequency:	<b>50-60Hz</b>
Insulating voltage:	<b>500V</b>
Protection degree:	<b>IP55 (mated)</b>
Live part protection:	<b>IPXXD</b>
Operating temperature:	<b>-30°C +50°C</b>
Material:	<b>Engineering plastic</b>
Glow wire test:	<b>850-960°C</b>
IK degree at 20°C:	<b>IK08</b>
Color:	<b>Black</b>
Number of poles:	<b>L1-L2-L3-N-E-CP-PP</b>
Connection capability:	<b>2,5-10mm<sup>2</sup></b>
Salt mist:	<b>Resistant</b>
UV radiation:	<b>Resistant</b>