

200.23266S

Flush mounting socket Type 2 with shutter



> ACCESSORIES

Plug latching system

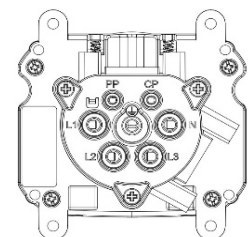
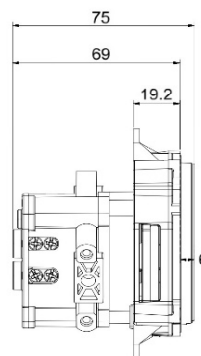
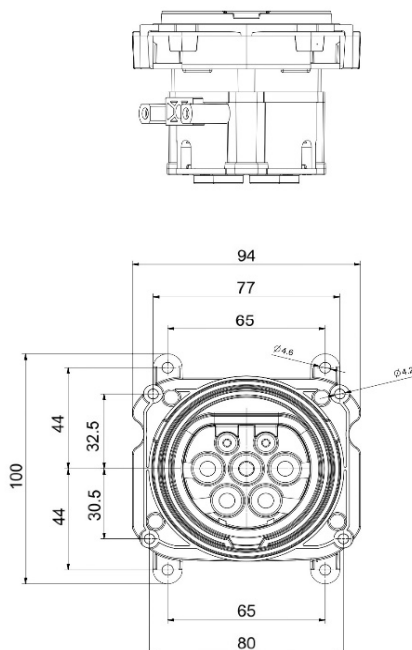
200.23261BS / 200.23261BL / 200.23261BP

lids

200.23260CS: Standard lid IP55

200.23260CC: Compact lid IP55

> DIMENSIONS



> REFERENCE STANDARD

EN 62196-1

Plugs, socket-outlets, vehicle couplers and vehicle inlets.

Conductive charging of electric vehicles.

Part 1: General requirements.

EN 62196-2

Plugs, socket-outlets and vehicle couplers.

Conductive charging of electric vehicles.

Part 2: Dimensional interchangeability requirements for a.c. pin and contact-tube accessories.

> TECHNICAL CHARACTERISTICS

Rated current:	32A
Rated voltage:	380-480VAC
Frequency:	50-60Hz
Insulating voltage:	500V
Protection degree:	IP55 (mated)
Live part protection:	IPXXD
Operating temperature:	-30°C +50°C
Material:	Engineering plastic
Glow wire test:	850-960°C
IK degree at 20°C:	IK08
Color:	Black
Number of poles:	L1-L2-L3-N-E-CP-PP
Connection capability:	2,5-10mm²
Salt mist:	Resistant
UV radiation:	Resistant