

ENCLOSURE FOR WIRING ACCESSORIES



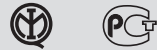
VERSIONS

| | |
|--|-----------------------------------|
| | Surface mounting enclosure - IP40 |
| | Surface mounting enclosure - IP55 |
| | Flush mounting enclosure - IP55 |

REFERENCE STANDARDS

EN 60670-1
Boxes and enclosures for electrical accessories for household and similar fixed electrical installations.
Part 1: general requirements.

QUALITY MARKS



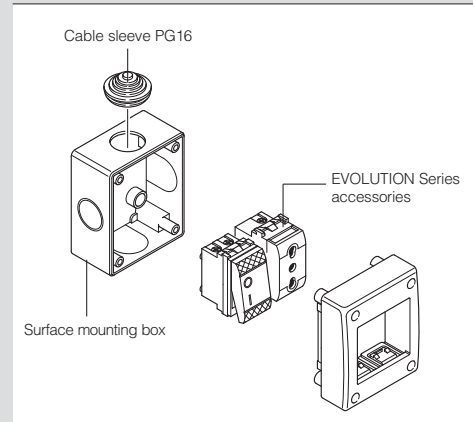
TECHNICAL CHARACTERISTICS

| | |
|--|---|
| Protection degree: | IP40-IP55 |
| Operating ambient temperature according to the reference standard: | -5°C +35°C |
| Max. operating ambient temperature: | 60°C |
| Glow Wire test: | 650°C |
| Material: | Engineering plastic |
| IK degree at 20°C: | IK06 |
| Colour: | Grey RAL 7035 Anthracite RAL 7021 (flush mounting version) |

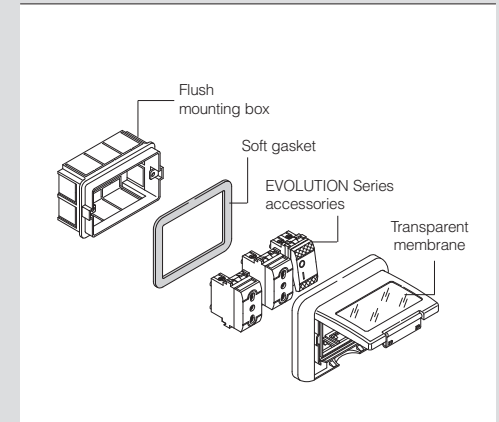
BEHAVIOUR WITH CHEMICAL AND ATMOSPHERIC AGENTS

| Saline solution | Acids | | Bases | | Solvents | | | | Mineral oil | UV rays |
|-----------------|--------------------|-----------|--------------------|-----------|---------------|---------------|---------------|--------------------|-------------|-----------|
| | Concentrated | Diluted | Concentrated | Diluted | Hexane | Benzol | Acetone | Alcohol | | |
| Resistant | Limited Resistance | Resistant | Limited Resistance | Resistant | Not Resistant | Not Resistant | Not Resistant | Limited Resistance | Resistant | Resistant |

EXAMPLES OF INSTALLATION



Surface mounting enclosure - IP40.



Flush mounting enclosure - IP55.

APPLICATION EXAMPLES

