

ROLLER Series

CABLE REELS FOR INDUSTRIAL, COMMERCIAL AND DOMESTIC APPLICATIONS



REFERENCE STANDARDS

IEC 61242
Electrical accessories
cable reels for household and similar purposes.

IEC 61316
Industrial cable reels.

QUALITY MARKS



TECHNICAL CHARACTERISTICS

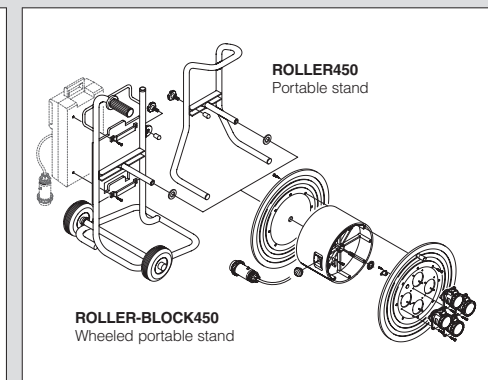
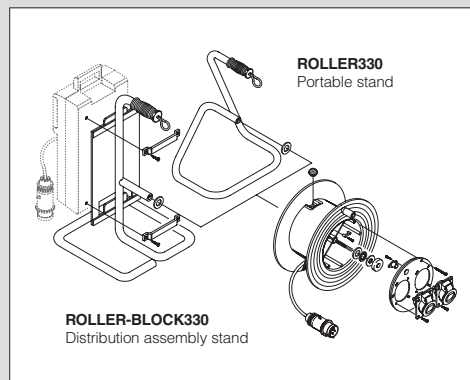
Rated voltage:	230±400V~
Frequency:	50Hz
Insulating voltage:	500/690V~
Protection degree:	IP20-IP44-IP55
Operating ambient temperature according to the reference standard:	-25°C +40°C
Max. operating ambient temperature:	60°C
Glow Wire test:	650°C/850°C
Material:	Engineering plastic
IK degree at 20°C:	Roller 300: IK07 Roller 450: IK08
Cable for industrial versions:	Type H07RN-F
Cable for domestic versions:	Type H05VV-F

VERSIONS

	ROLLER330 Series - For domestic applications
	ROLLER330 Series - For industrial applications
	ROLLER450 Series - With portable stand
	ROLLER-BLOCK450 Series - With wheeled portable distribution assembly stand available

BEHAVIOUR WITH CHEMICAL AND ATMOSPHERIC AGENTS

Saline solution	Acids		Bases		Solvents				Mineral oil	UV rays
	Concentrated	Diluted	Concentrated	Diluted	Hexane	Benzol	Acetone	Alcohol		
Resistant	Not Resistant	Not Resistant	Limited Resistance	Resistant	Not Resistant	Not Resistant	Not Resistant	Limited Resistance	Not Resistant	Resistant



APPLICATION EXAMPLES



ROLLER Series

■ ROLLER330 SERIES



Shows: cable clamp, terminal strip, thermal overload switch, contactor, isolating protection pivot and elastic hook



The version with the interlocked switch socket outlet is well-suited for use in public entertainment venues.

■ ROLLER450 SERIES



Portable stand with integral brake. The cable reel stand is made of corrosion-proof steel and has an adjustable thumbscrew brake to avoid unnecessary overrun.

■ ROLLER-BLOCK450 SERIES



ROLLER-BLOCK450
Screwing a holding bracket onto the back of any BLOCK4 distribution assembly makes for a combined cable reel/assembly unit.



ROLLER-BLOCK450
As well as the holding plate for attaching the distribution assembly, the cable reel comes with wheels for moving the combined unit, a cable-holding bracket, an ergonomic handle and a brake for the drum.