




# MIZAR Series

## ■ LIGHT FITTINGS



## ■ VERSIONS

	For incandescent lamps - 60W 250V~ - Thermoplastic diffuser - IP44 - Polycarbonate diffuser - IP44 or IP55
	For indicating working areas - Polycarbonate diffuser - IP44
	Automatic twilight turn-on - Two operation modes

## ■ REFERENCE STANDARDS

**EN 60598-1**  
Luminaires.  
*Part 1: general requirements and tests.*

**EN 60598-2-1**  
Luminaires.  
*Part 2: specific requirements*  
*Section 1: fixed general purpose luminaires.*

## ■ QUALITY MARKS



## ■ TECHNICAL CHARACTERISTICS

Protection degree:	<b>IP44-IP55</b>
Operating ambient temperature according to the reference standard:	<b>Thermoplastic diffuser: -5°C +35°C</b> <b>Polycarbonate diffuser: -15°C +35°C</b>
Glow Wire test:	<b>650°C</b>
Material:	<b>Engineering plastic</b>
IK degree at 20°C:	<b>IK04 - IK07</b>
Cable inlets:	<b>PG11-PG13</b>
Insulation class:	<b>Class II (double insulation) □</b>
Lampholder type:	<b>E27 - B22</b>
Installation on inflammable surface:	<b>Yes</b>

## ■ BEHAVIOUR WITH CHEMICAL AND ATMOSPHERIC AGENTS

Saline solution	Acids		Bases		Solvents				Mineral oil	UV rays
	Concentrated	Diluted	Concentrated	Diluted	Hexane	Benzol	Acetone	Alcohol		
Resistant	Limited Resistance	Resistant	Limited Resistance	Limited Resistance	Limited Resistance	Not Resistance	Not Resistance	Resistant	Limited Resistance	Resistant

## ■ APPLICATION EXAMPLES



# MIZAR Series

## CABLE INLET



Five knockouts for PG11/PG13.5 cable inlets located around the four sides and on the base provide a wide range of installation options: with cable sleeve, with cable gland or with couplings between Ø 16 mm rigid or flexible conduit and box. A flexible conduit for flush mounting and power supply from the rear of the base can also be installed.

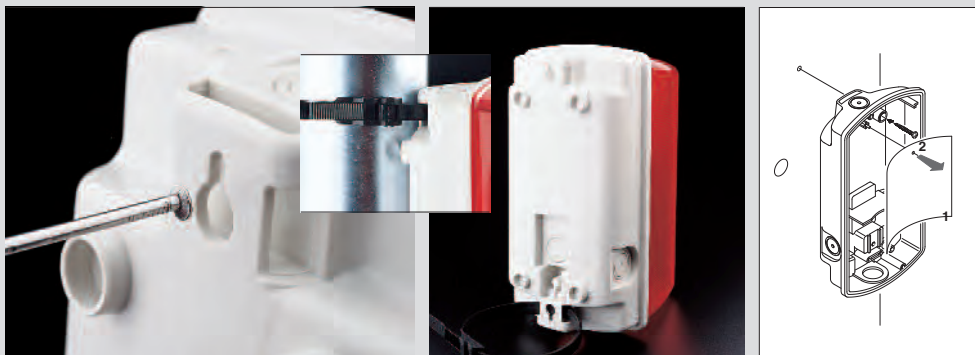


This layout of knockout cable inlets allows a number of different installation possibilities, with power supply to the fixture from any side or through



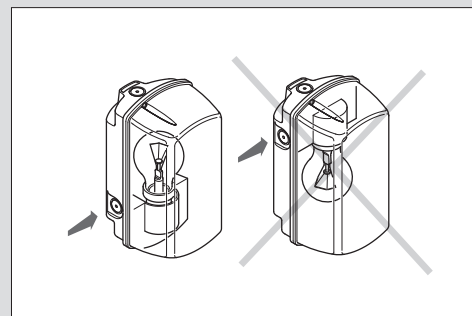
cabling in and out when several fixtures need to be supplied in parallel.

## FIXING



MIZAR Series light-fittings are fitted with a slot on the rear of the base for hooking onto a nail, screw or hook, or for fastening to poles, pipes, bars or scaffolding using one or two cable ties. For permanent installation, the fixtures can be wall or ceiling mounted using screw anchors.

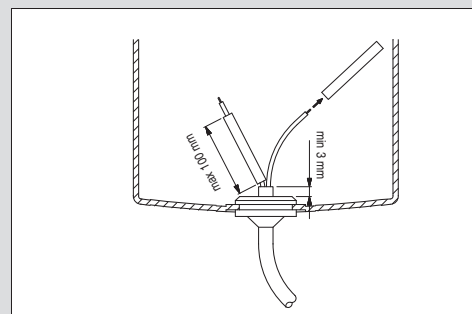
## CORRECT INSTALLATION



Overheating may affect the life of the lamp-holder and of the cables. To avoid this the lamp must be upright when mounting the fixture vertically, ie the lampholder must be in the lower part of the fixture. This also guarantees the protection degree.



An isolating screen provides total insulation, and by segregating the cabling protects the operator against contact with live parts when replacing the lamp.



The mounting kit included in the supply comes with heat resistant sleeving for protecting the power supply cables from the heat generated by the lamp when in use.



A fast mounting plate for maintaining the protection degree is provided with the IP55 version.