

■ LIGHT FITTINGS



■ VERSIONS

| | |
|--|-----------------------|
| | Bulkhead light oval |
| | Bulkhead light round |
| | Bulkhead light square |

■ REFERENCE STANDARDS

EN 60598-1
Luminaires.
Part 1: general requirements and tests.

EN 60598-2-1
Luminaires.
Part 2: particular requirements.
Section 1: fixed general purpose luminaires.

■ QUALITY MARKS



■ TECHNICAL CHARACTERISTICS

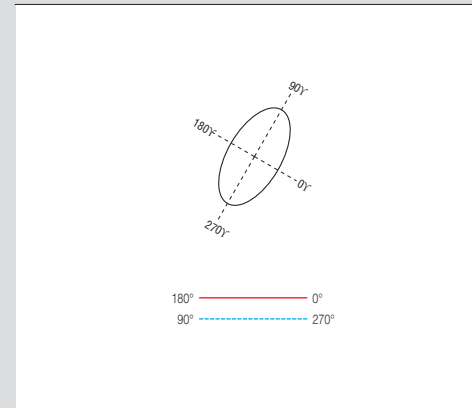
| | |
|--|---------------------------------------|
| Protection degree: | IP44 - IP65 |
| Operating ambient temperature according to the reference standard: | -25°C +35°C |
| Rated wattage: | Max. 100W |
| Glow Wire test: | 850°C |
| Grado IK a 20°C: | IK08 - IK10 |
| Cable inlet: | PG9 - PG13,5 |
| Insulation class: | Class II (double insulation) □ |
| Lampholder type: | E27 - B22 |
| Installation on inflammable surface: | Yes |
| Material: | Engineering plastic |

■ BEHAVIOUR WITH CHEMICAL AND ATMOSPHERIC AGENTS

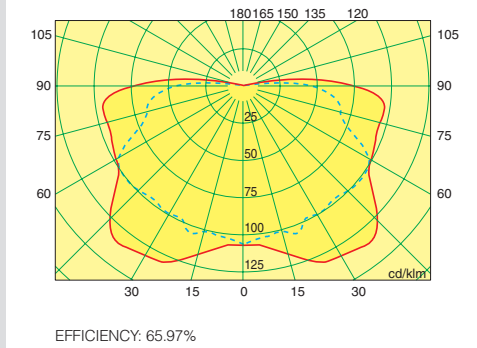
| Saline solution | Acids | | Bases | | Solvents | | | | Mineral oil | UV rays |
|-----------------|--------------------|-----------|--------------------|--------------------|--------------------|---------------|---------------|-----------|--------------------|-----------|
| | Concentrated | Diluted | Concentrated | Diluted | Hexane | Benzol | Acetone | Alcohol | | |
| Resistant | Limited Resistance | Resistant | Limited Resistance | Limited Resistance | Limited Resistance | Not Resistant | Not Resistant | Resistant | Limited Resistance | Resistant |

■ POLE DIAGRAM

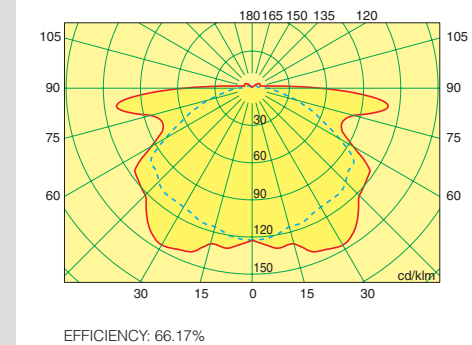
E27
- Incandescent bulb: 100W E27
- Total flux: 1350 lm



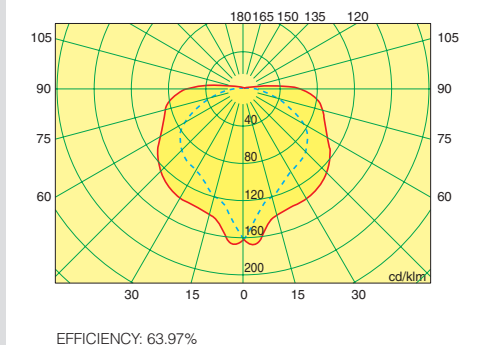
■ OVAL



■ SQUARE



■ ROUND



Co-ordinates system: c-gamma