

# BLUELINE Series

## DOMESTIC PLUGS, SOCKET AND MULTI-OUTLET SOCKETS



## VERSIONS

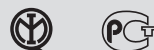
|  |                                      |
|--|--------------------------------------|
|  | Plugs with straight outlet           |
|  | Flat plugs with angle outlet         |
|  | Trailing socket with straight outlet |
|  | Multi-outlet sockets                 |

## REFERENCE STANDARDS

**CEI 23-50**  
Plugs and socket outlets for household and similar purposes.  
*Part 1: general requirements.*

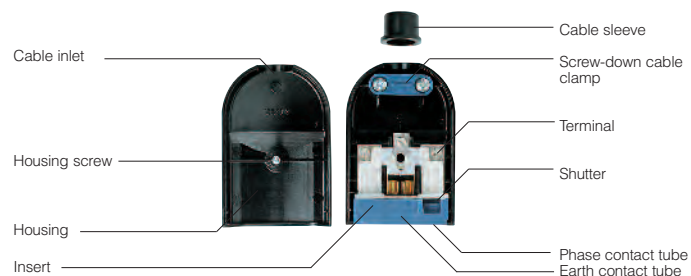
**CEI 23-124**  
Plugs and socket outlets for household and similar purposes.  
*Part 2-7: particular requirements for cord extension set.*

## QUALITY MARKS



## TECHNICAL CHARACTERISTICS

|  |   |
|--|---|
| Rated current:   | <b>10A-16A</b>  |
| Rated voltage:   | <b>250V~</b>  |
| Frequency:   | <b>50Hz</b>   |
| Insulating voltage:  | <b>250V~</b>  |
| Protection degree:   | <b>IP20D</b>  |
| Operating ambient temperature according to the reference standard: | <b>-15°C +35°C</b>  |
| Max operating ambient temperature:                                 | <b>60°C</b>   |
| Cabling capacity of the terminals:                                 | <b>10A: 0,75 - 1,5mm<sup>2</sup></b><br><b>16A: 0,75 - 2,5mm<sup>2</sup></b>  |
| Glow wire test:  | <b>750°C</b>  |
| Material:  | <b>Engineering plastic</b>  |
| Colour:  | <b>White RAL 9010</b><br><b>Black RAL 9011</b><br><b>Anthracite RAL 7021</b><br><b>Tinted (transparent)</b><br><b>Turquoise (transparent)</b> |



## BEHAVIOUR WITH CHEMICAL AND ATMOSPHERIC AGENTS

| Saline solution | Acids              |           | Bases              |                    | Solvents  |               |               |           | Mineral oil        | UV rays   |
|-----------------|--------------------|-----------|--------------------|--------------------|-----------|---------------|---------------|-----------|--------------------|-----------|
|                 | Concentrated       | Diluted   | Concentrated       | Diluted            | Hexane    | Benzol        | Acetone       | Alcohol   |                    |           |
| Resistant       | Limited Resistance | Resistant | Limited Resistance | Limited Resistance | Resistant | Not Resistant | Not Resistant | Resistant | Limited Resistance | Resistant |

## APPLICATION EXAMPLES



# BLUELINE Series

## DOMESTIC ADAPTORS

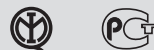


## REFERENCE STANDARDS

**CEI 23-57**  
Plugs and sockets for domestic and similar applications.  
*Part 2: specific requirements for adaptors.*



## QUALITY MARKS

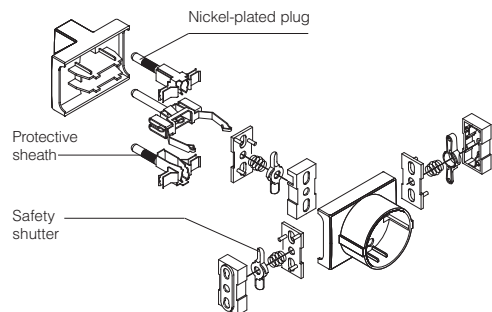


## VERSIONS

|  |                    |
|--|--------------------|
|  | One-way adaptors   |
|  | Multi-way adaptors |
|  | With USB           |

## TECHNICAL CHARACTERISTICS

|  |  |
|--|--|
| Rated current:   | <b>10A-16A</b>                           |
| Rated voltage:   | <b>250V~</b>                             |
| Frequency:   | <b>50Hz</b>                              |
| Insulating voltage:  | <b>250V~</b>                             |
| Protection degree:   | <b>IP20D</b>                             |
| Operating ambient temperature according to the reference standard: | <b>-15°C +35°C</b>                       |
| Max operating ambient temperature:                                 | <b>60°C</b>                              |
| Glow wire test:  | <b>750°C</b>                             |
| Halogen free:  | <b>Yes</b>                               |
| Material:  | <b>Engineering plastic</b>               |
| Colour:  | <b>White RAL 9010<br/>Black RAL 9011</b> |



## BEHAVIOUR WITH CHEMICAL AND ATMOSPHERIC AGENTS

| Saline solution | Acids              |           | Bases              |                    | Solvents  |               |               |           | Mineral oil        | UV rays   |
|-----------------|--------------------|-----------|--------------------|--------------------|-----------|---------------|---------------|-----------|--------------------|-----------|
|                 | Concentrated       | Diluted   | Concentrated       | Diluted            | Hexane    | Benzol        | Acetone       | Alcohol   |                    |           |
| Resistant       | Limited Resistance | Resistant | Limited Resistance | Limited Resistance | Resistant | Not Resistant | Not Resistant | Resistant | Limited Resistance | Resistant |

## APPLICATION EXAMPLES

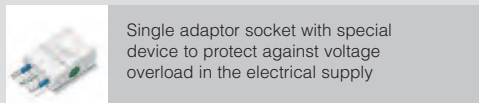


# BLUELINE Series

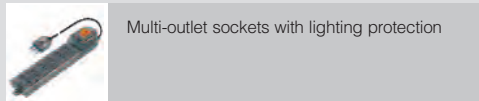
## DOMESTIC ADAPTORS AND MULTI-OUTLET SOCKETS WITH OVERVOLTAGE PROTECTION



### VERSIONS



Single adaptor socket with special device to protect against voltage overload in the electrical supply



Multi-outlet sockets with lighting protection

Lightning protection devices are fitted with an overload dissipater, a special electric circuit protected by a phase and neutral fast fuse protection having nominal tension of 250V~. Maximum dissipation of overload energy: 21J. Minimum overload tension at which dissipation is triggered off: 300V. Discharge current: 1,2 kA (8/20µs). When the pilot light is on it means that the overload dissipater is working efficiently.

## REFERENCE STANDARDS

**CEI 23-50**  
Plugs and sockets-outlets for household and similar purposes.  
*Part 1: general requirements.*

**CEI 23-57**  
Plugs and sockets for domestic and similar applications.  
*Part 2: specific requirements for adaptors.*



## QUALITY MARKS



## TECHNICAL CHARACTERISTICS

|  |  |
|--|--|
| Rated current:   | <b>10A-16A</b>   |
| Rated voltage:   | <b>250V~</b>   |
| Frequency:   | <b>50Hz</b>  |
| Insulating voltage:  | <b>250V~</b>   |
| Protection degree:   | <b>IP20D</b>   |
| Operating ambient temperature according to the reference standard: | <b>-15°C +35°C</b>   |
| Max. operating ambient temperature:                                | <b>60°C</b>  |
| Glow Wire test:  | <b>750°C</b>   |
| Material:  | <b>Engineering plastic</b>   |
| Colour:  | <b>White RAL 9010<br/>Tinted (transparent)<br/>Turquoise blue transparent)</b> |

## BEHAVIOUR WITH CHEMICAL AND ATMOSPHERIC AGENTS

| Saline solution | Acids              |           | Bases              |                    | Solvents  |               |               |           | Mineral oil        | UV rays   |
|-----------------|--------------------|-----------|--------------------|--------------------|-----------|---------------|---------------|-----------|--------------------|-----------|
|                 | Concentrated       | Diluted   | Concentrated       | Diluted            | Hexane    | Benzol        | Acetone       | Alcohol   |                    |           |
| Resistant       | Limited Resistance | Resistant | Limited Resistance | Limited Resistance | Resistant | Not Resistant | Not Resistant | Resistant | Limited Resistance | Resistant |

## APPLICATION EXAMPLES

