

## MODULAR SYSTEM



## VERSIONS

|  |  |
|--|--|
|  | Modular bases<br>- Standard<br>- Heavy duty            |
|  | One module enclosure with cut-out<br>- Standard        |
|  | Enclosure with plain lid<br>- Standard<br>- Heavy duty |
|  | Consumer unit<br>- Standard<br>- Heavy duty            |

## REFERENCE STANDARDS

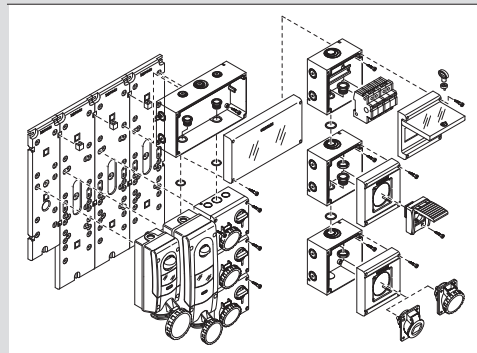
|  |
|--|
| <p><b>EN 60670-1</b><br/>Boxes and enclosures for electrical accessories for household and similar fixed electrical installations.<br/><i>Part 1: general requirements.</i></p>  |
| <p><b>CEI 23-49</b><br/>Enclosure for accessories for household and similar fixed electrical installations.<br/><i>Part 2: particular requirements for enclosures for protection devices and accessories dissipating a considerable power in normal use.</i></p> |

## QUALITY MARKS



## TECHNICAL CHARACTERISTICS

|  |  |
|--|--|
| Protection degree:   | <b>IP66</b>  |
| Operating ambient temperature according to the reference standard: | <b>-25°C +35°C</b>   |
| Max operating ambient temperature:                                 | <b>60°C</b>  |
| Dissipable power according to the reference standard:              | <b>8-17W</b>   |
| Glow wire test:  | <b>650°C/850°C</b>   |
| Cable inlets:  | <b>Metric</b>  |
| Material:  | <b>Engineering plastic</b>                                     |
| IK degree at 20°C:   | <b>IK07 (Advance2)<br/>IK08 (Advance2-HD)</b>                  |
| Colour:  | <b>Grey RAL 7035 (standard)<br/>Grey RAL 7004 (Heavy duty)</b> |
| Insulation class:  | <b>Class II (double insulation) </b>                           |



## BEHAVIOUR WITH CHEMICAL AND ATMOSPHERIC AGENTS - STANDARD SYSTEM

| Saline solution | Acids              |           | Bases              |           | Solvents      |               |               |                    | Mineral oil        | UV rays   |
|-----------------|--------------------|-----------|--------------------|-----------|---------------|---------------|---------------|--------------------|--------------------|-----------|
|                 | Concentrated       | Diluted   | Concentrated       | Diluted   | Hexane        | Benzol        | Acetone       | Alcohol            |                    |           |
| Resistant       | Limited Resistance | Resistant | Limited Resistance | Resistant | Not Resistant | Not Resistant | Not Resistant | Limited Resistance | Limited Resistance | Resistant |

## BEHAVIOUR WITH CHEMICAL AND ATMOSPHERIC AGENTS - HD SYSTEM

| Saline solution | Acids              |           | Bases              |           | Solvents  |                    |               |           | Mineral oil | UV rays   |
|-----------------|--------------------|-----------|--------------------|-----------|-----------|--------------------|---------------|-----------|-------------|-----------|
|                 | Concentrated       | Diluted   | Concentrated       | Diluted   | Hexane    | Benzol             | Acetone       | Alcohol   |             |           |
| Resistant       | Limited Resistance | Resistant | Limited Resistance | Resistant | Resistant | Limited Resistance | Not Resistant | Resistant | Resistant   | Resistant |

## APPLICATION EXAMPLES

