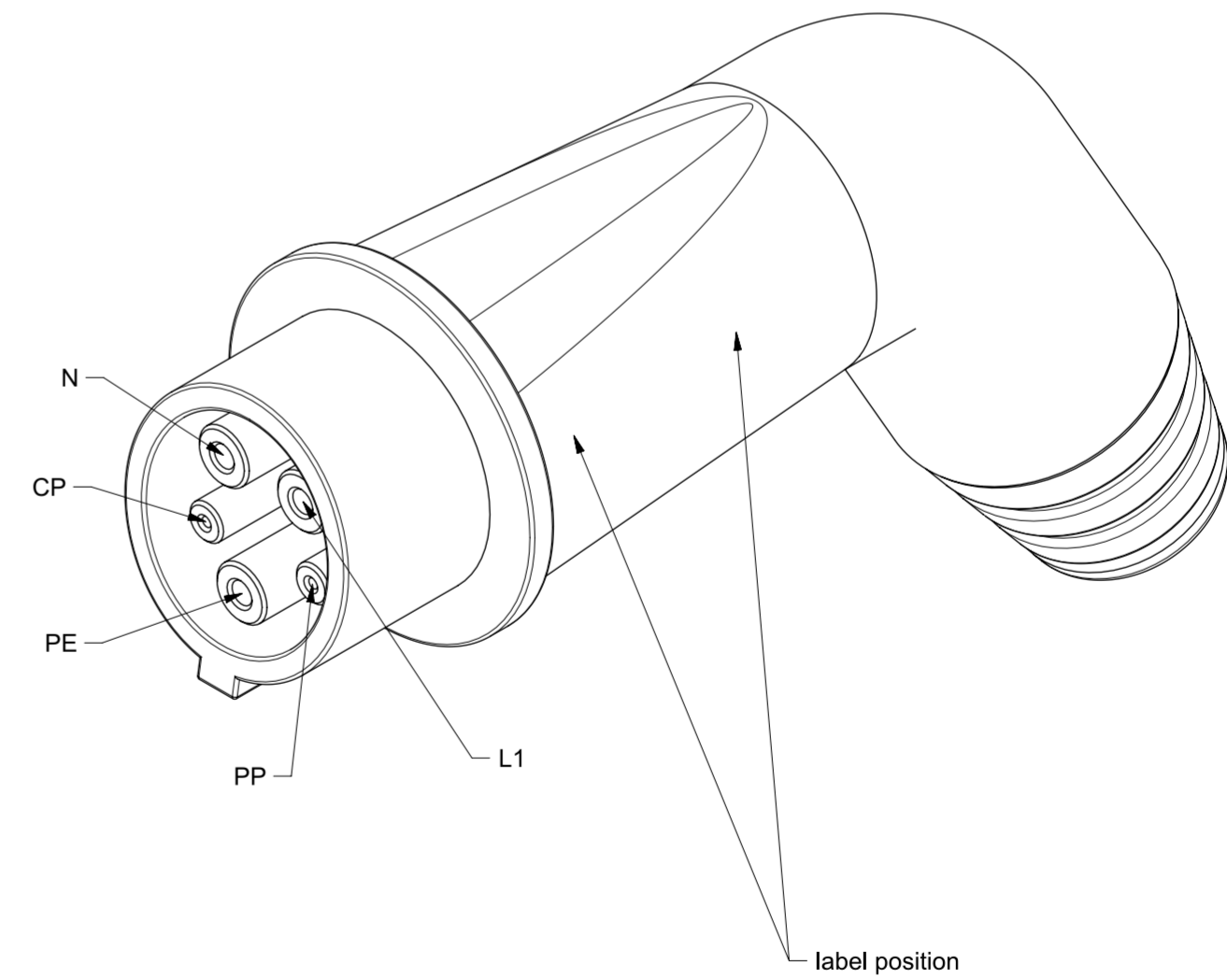
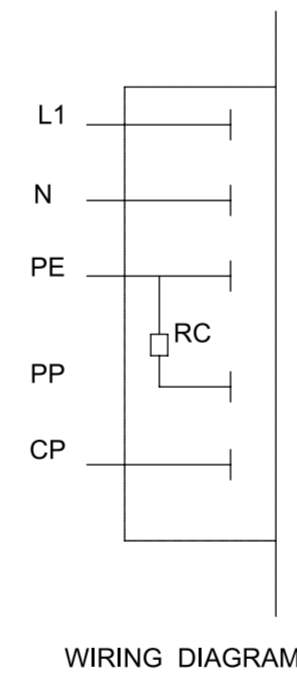


| ITEM | DESCRIPTION | CHARACTERISTICS | COLOR |
|------|-------------|-----------------------------|-------|
| 1 | CONNECTOR | TYPE 1 - 20AAC SINGLE-PHASE | |
| 2 | PLUG | TYPE 3A 16A AC SINGLE-PHASE | |
| 3 | CABLE | 3G2,5+1x0,5 EN50620-2017 | BLACK |

| PART NUMBER | A (m) |
|--------------|-------------|
| 201.CSA111-5 | 5 (0 ; 0,1) |



Via Costa Erta 15-24020 Parre BG ITALY

 XXXXXXXXXXXXXXXXXXXXXXXX

 XXXXXXXX

 201.xxxxxxxx

General data

201.xxxxxxxx

 ???????

 Year: xxxx

Batch data

| | | | | | | | |
|--|---|----|-------|-------|----------|---------|-------------|
| Under the terms of the law we reserve the ownership of this design may not be copied and transfer it to third parties or competitors | Format | A2 | Scale | 1:1.5 | Mould N° | Drawn | SCAME |
| | Tolerances for linear and angular dimensions without indication of specific tolerances: JS13 / UNI 286-1:2010 | | | | | | Date |
| S.p.A. PARRE - (Bergamo) | DESCRIPTION | | | | | CODE | Sheet 1 / 1 |
| | CORD SET - SPINA 3A 16A + CONNECTOR T1 20A - CAVO 3G2,5 | | | | | 4010534 | |