


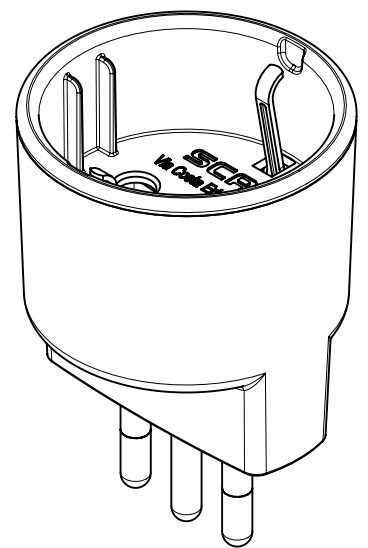
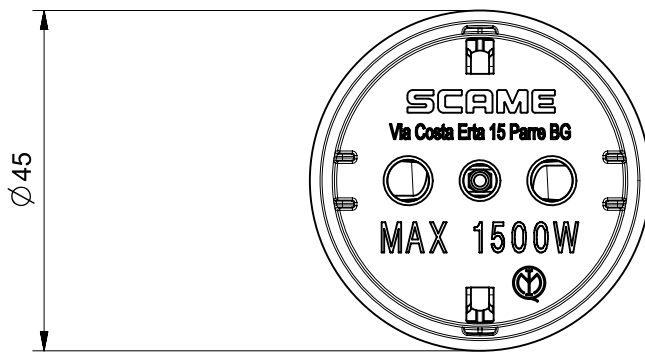
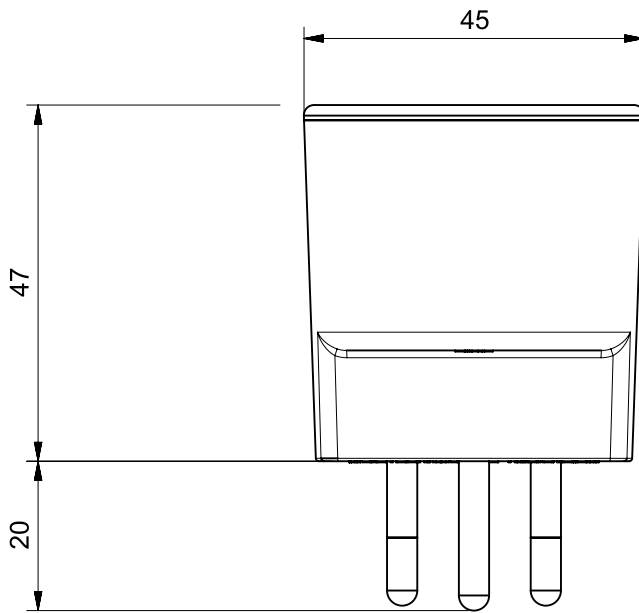


CONFIGURAZIONE ADATTATORE	
SPINA	S11 (2P+T 10A)
PRESA LATERALE 1	N.A
PRESA LATERALE 2	N.A
PRESA FRONTALE	P30 (2P+T 16A)

At the end of the law, we reserve the ownership of this design may not be copied and transfer it to third parties or competitors	Format	A3	Scale	2:1	Mould N°		Drawn	SCAME
	Tolerances for linear and angular dimensions without indication of specific tolerances: JS13 / UNI 286-1:2010						 	Date
 S.p.A. PARRE - (Bergamo)	DESCRIPTION						CODE	Sheet 1 / 2
	ADATTATORE S11 - P30 serie BLUELINE						4006285	



Under the terms of the law we reserve the ownership of this design may not be copied and transfer it to third parties or competitors	Format	A4V	Scale	1:1	Mould N°		Drawn	SCAME
	Tolerances for linear and angular dimensions without indication of specific tolerances: JS13 / UNI 286-1:2010						Date	
SCAME S.p.A. PARRE - (Bergamo)	DESCRIPTION						Approved	
	ADATTATORE S11 - P30 serie BLUELINE						CODE	Sheet 2 / 2
							4006285	