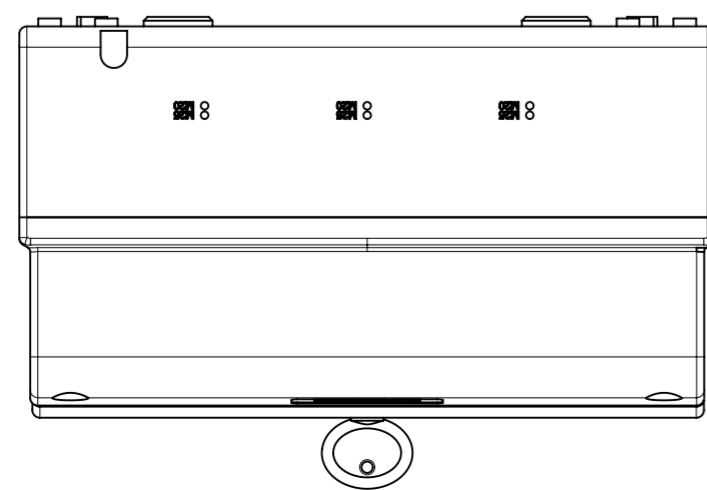


Sezione A-A



<p>At the end of the law, we reserve the ownership of this design may not be copied and transfer it to third parties or competitors</p> <p>SCAME S.p.A. PARRE - (Bergamo)</p>	Format	A2	Scale	1:1	Mould N°	1000XXXX	Drawn	SCAME
	<p>Tolerances for linear and angular dimensions without indication of specific tolerances: JS13 / UNI 286-1:2010</p>							Date
DESCRIPTION							CODE	Sheet 1 / 1
<p>QUADRO DOMINO IP66 340X184 8 MODULI 1 PRESA 32A</p>							4004191	