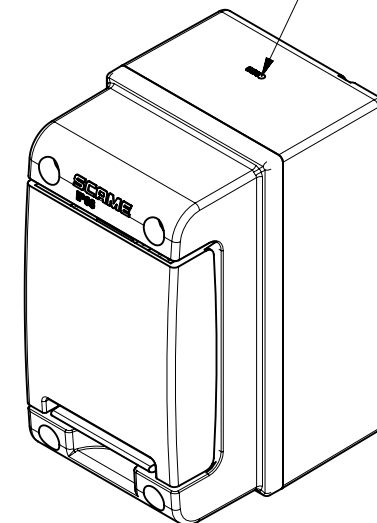
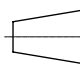



INGRESSO CAVI FINO
A PASSACAVO M20



<p>Under the terms of the law we reserve the ownership of this design may not be copied and transfer it to third parties or competitors</p> <p>SCAME S.p.A. PARRE - (Bergamo)</p>	Format	A40	Scale	1:1	Mould N°	Drawn	SCAME	
	Tolerances for linear and angular dimensions without indication of specific tolerances: JS13 / UNI 286-1:2010					 	Date	
	DESCRIPTION						Approved	
<p>CENTRALINO DOMINO 2 DIN - IP66</p>						CODE	Sheet 1 / 1	
							4001220	