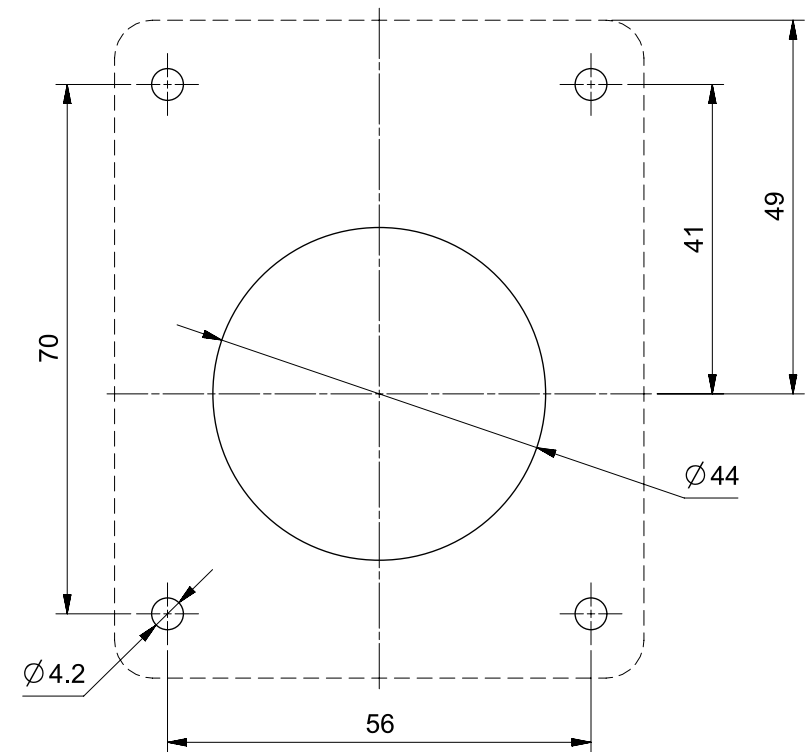


DIMA DI FORATURA  
DRILLING TEMPLATE



<p>At the end of the law, we reserve the ownership of this design may not be copied and transfer it to third parties or competitors</p> <p><b>SCAME</b> S.p.A. PARRE - (Bergamo)</p>	Format	A4O	Scale	1:1	Mould N°	Drawn	SCAME	
	Tolerances for linear and angular dimensions without indication of specific tolerances: JS13 / UNI EN20286						Date	
	DESCRIPTION					CODE		Sheet 1 / 1
PRESA INCASSO P30					4000721			