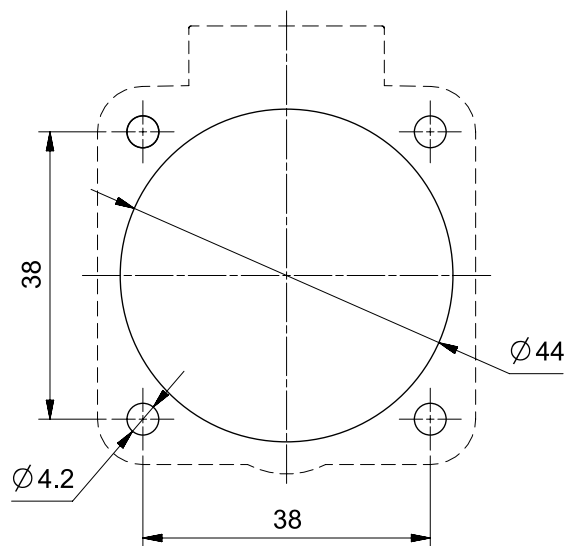


DIMA DI FORATURA
DRILLING TEMPLATE



<p>At the end of the law, we reserve the ownership of this design may not be copied and transfer it to third parties or competitors</p>	Format	A4O	Scale	1:1	Mould N°	Drawn	SCAME
	Tolerances for linear and angular dimensions without indication of specific tolerances: JS13 / UNI EN20286						Date
<p>SCAME S.p.A. PARRE - (Bergamo)</p>	DESCRIPTION					Approved	
	PRESA INCASSO F/RIDOTTA LIGHT FRANCESE					CODE	4000324