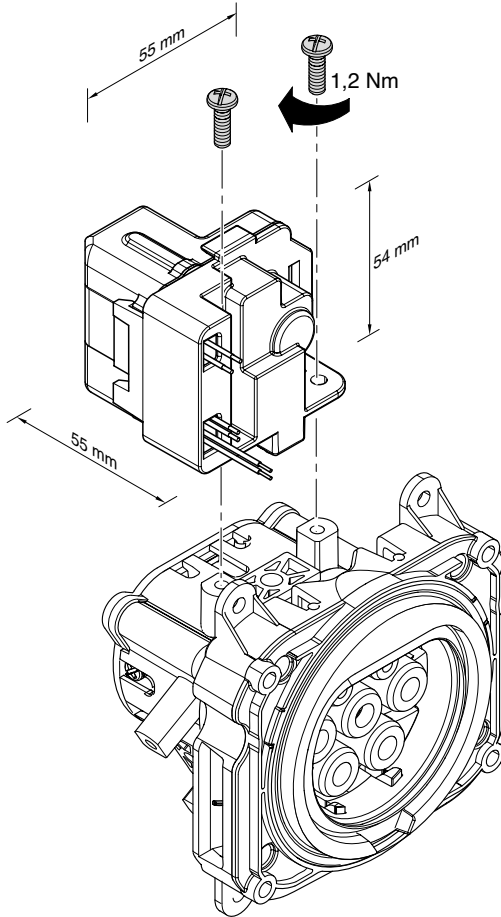
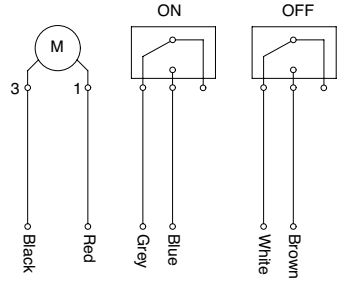


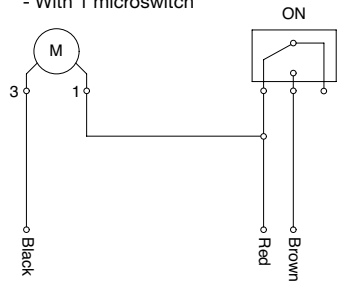
ART. 200.23261BS-200.23261BP-200.23261BL



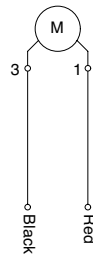
Art. 200.23261BS
- With 2 microswitches



Art. 200.23261BP
- With 1 microswitch



Art. 200.23261BL
- Without microswitches



InfoTECH

ITALYWORLDWIDE

800-018009ScameOnLine
www.scame.com
infotech@scame.com

	1	3	Voltage	Timing
Lock on	-	+	12VDc	300ms
Lock off	+	-	12VDc	300ms