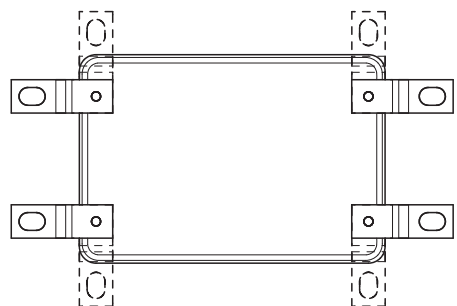
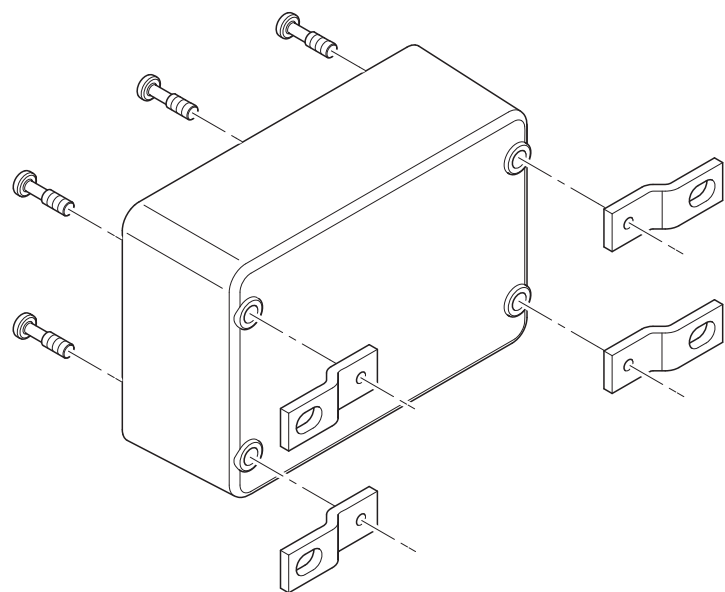
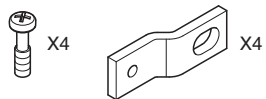


ART. 644.C075
 ART. 644.C120
 ART. 644.C160

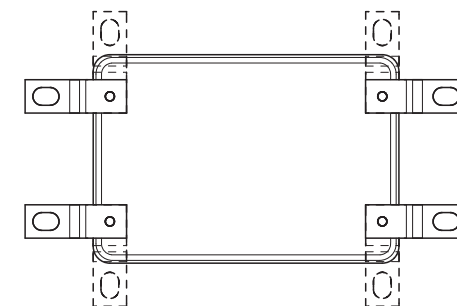
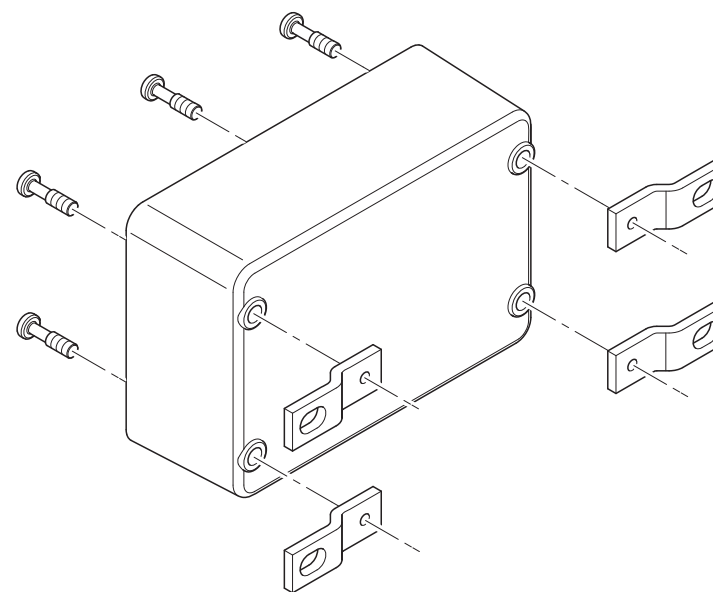
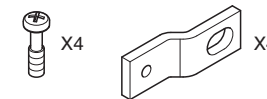
STAFFETTE DI FISSAGGIO A PARETE
 WALL MOUNTING BRACKETS
 SUPPORT DE FIXATION A PAROI
 WANDBEFESTIGUNSBÜGEL
 ESTRIBOS PARA FIJACION A PARED



ScameOnLine
<http://www.scame.com/atex>
 e-mail: atex@scame.com

ART. 644.C075
 ART. 644.C120
 ART. 644.C160

STAFFETTE DI FISSAGGIO A PARETE
 WALL MOUNTING BRACKETS
 SUPPORT DE FIXATION A PAROI
 WANDBEFESTIGUNSBÜGEL
 ESTRIBOS PARA FIJACION A PARED



ScameOnLine
<http://www.scame.com/atex>
 e-mail: atex@scame.com