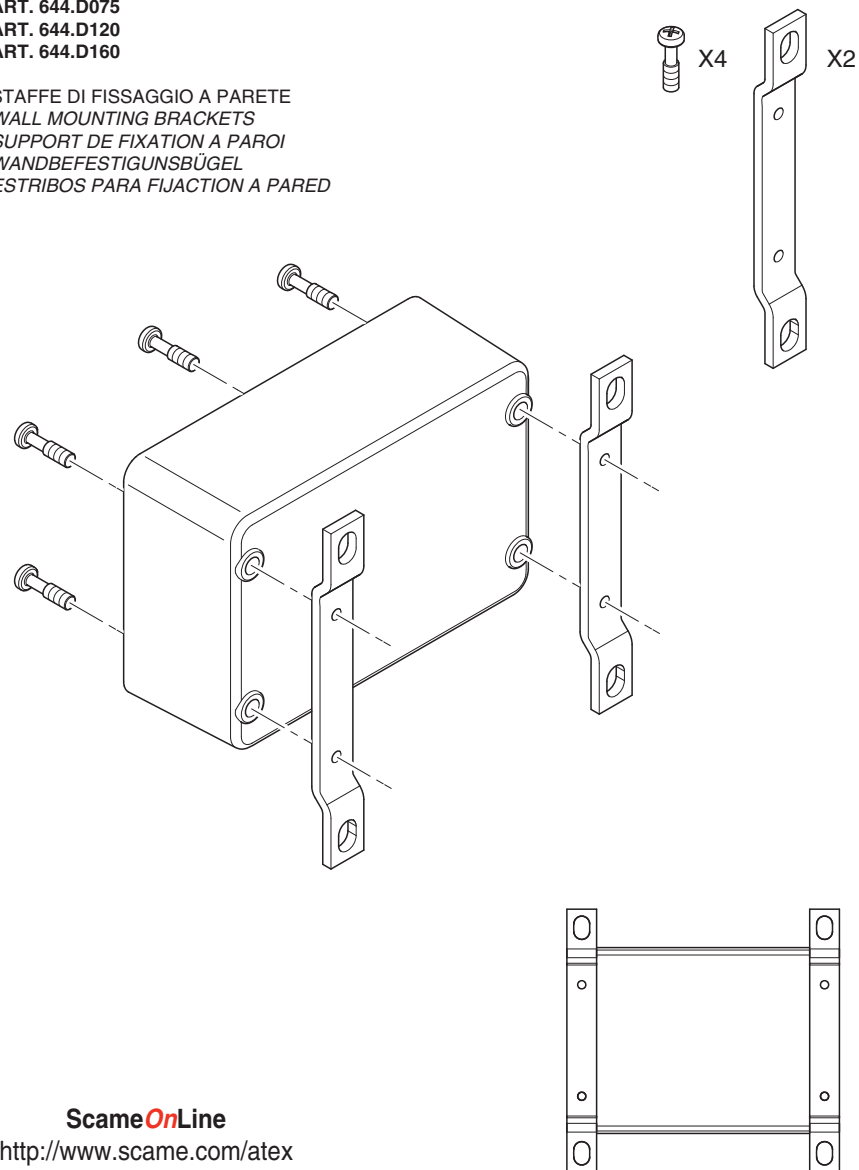


ART. 644.D075
ART. 644.D120
ART. 644.D160

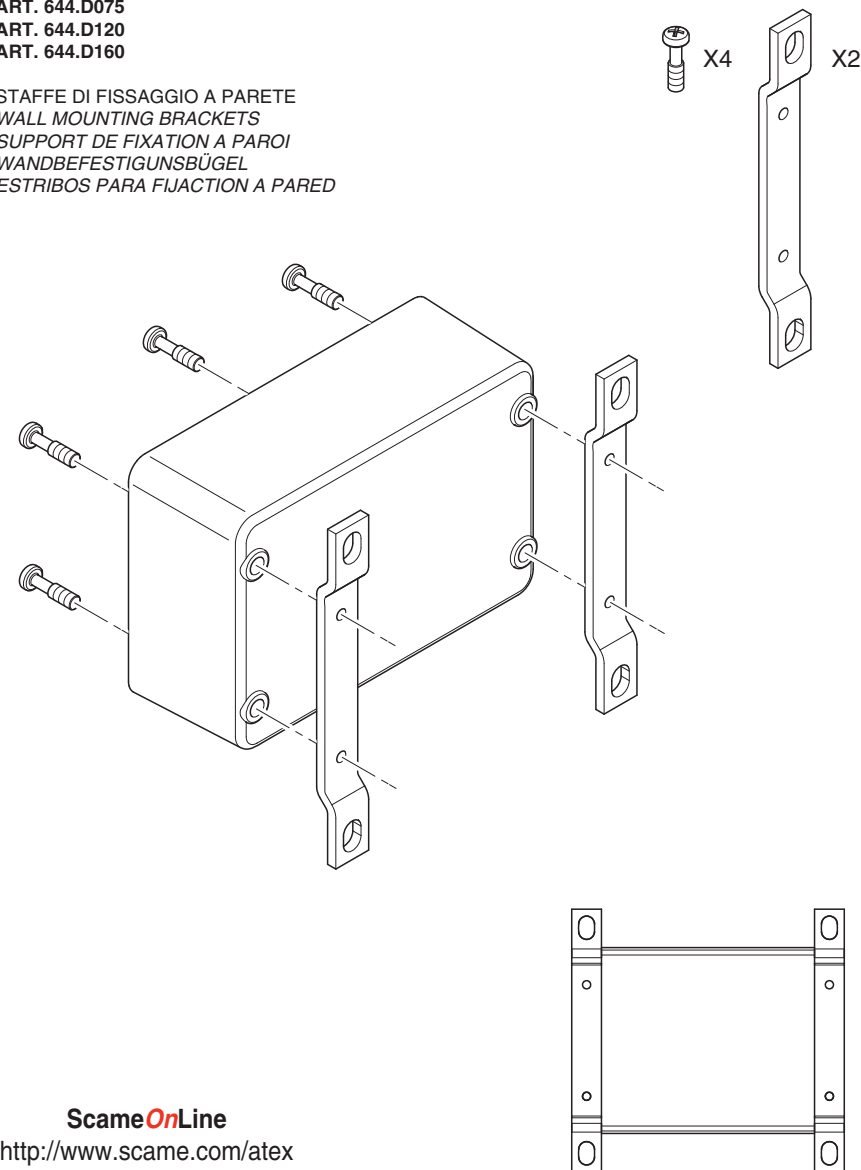
STAFFE DI FISSAGGIO A PARETE
WALL MOUNTING BRACKETS
SUPPORT DE FIXATION A PAROI
WANDBEFESTIGUNSBÜGEL
ESTRIBOS PARA FIJACION A PARED



ScameOnLine
<http://www.scame.com/atex>
e-mail: atex@scame.com

ART. 644.D075
ART. 644.D120
ART. 644.D160

STAFFE DI FISSAGGIO A PARETE
WALL MOUNTING BRACKETS
SUPPORT DE FIXATION A PAROI
WANDBEFESTIGUNSBÜGEL
ESTRIBOS PARA FIJACION A PARED



ScameOnLine
<http://www.scame.com/atex>
e-mail: atex@scame.com