



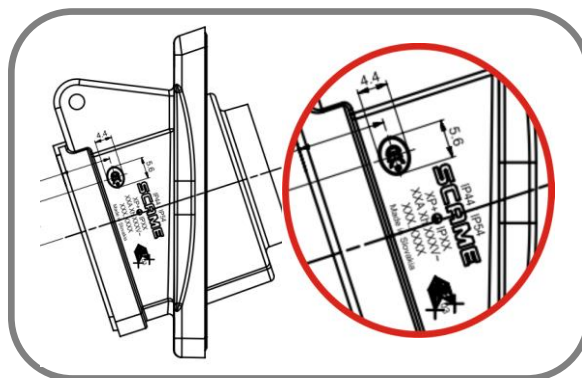
TO SCAME CLIENTS

List of new available products

(Refer to Commercial Dept for item codes and prices)

OPTIMA Series IP44

Product improvement



Plugs and sockets Optima series IP44 increases its IP performance against solid object and dust from IP4x to IP4x/IP5x .

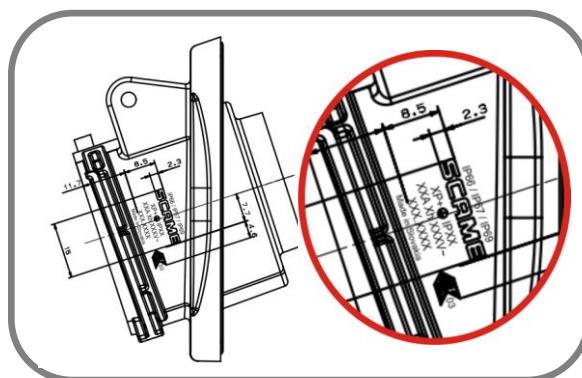
Despite this feature is not a requirement for plugs and sockets by the related standard EN60309-1 IP54 degree is guaranteed to increase safety, reliability and durability of products of Optima series products.

Optima Top version type 513*T is not included in the range of items subject to IP54 increasing.

All products involved will be marked by laser etching or labels with IP44/IP54 feature.

OPTIMA Series IP66/IP67 and ADVANCE-GRP Series IP66/IP67

Product improvement



Plugs and sockets OPTIMA Series IP66/IP67 and ADVANCE-GRP Series IP66/IP67 improve their water protection performances by adding to the double IP degree even the IP69.

Despite IP69 is not a requirement for plugs and sockets according to the related standard EN60309-1, it is a classification from IEC 60529 (protection degree)

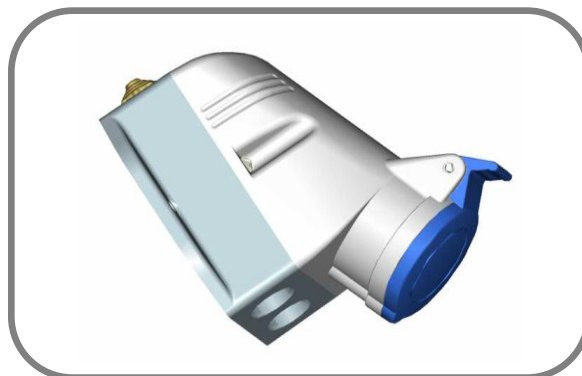
Scame OPTIMA and ADVANCE-GRP are now able to face some of the most severe operating conditions, often in the most challenging environments making them ideal for a wide range of markets and application, including food and beverage, mining, and industrial facilities

IP66/67/69 feature will be marked on the laser etching and labels of all the involved products.



OPTIMA TOP Series

Product improvement
OPTIMA Series – surface mounting socket 16A
2P+E OPTIMA TOP Series

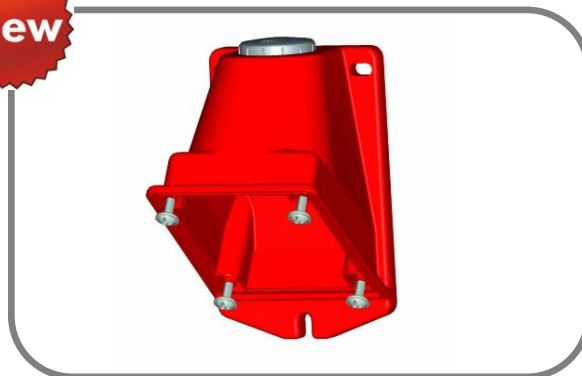


The base box of surface mounting sockets 16A 2P+E related to the part numbers 513.1653T and 518.1653T has been improved by adding a double threaded knock outs for feed-through connections. Like the rest of OPTIMA sockets range the double entry can be on the top or at the bottom side thank to the reversible contact carrier. The new base has open threaded cable inlet holes M20 and it is equipped with 3 cable threaded bung which can be used as cable sleeve. For IP44 version is provided even a rubber threaded cable sleeve IP55. The part numbers remain the same.

OPTIMA Series



Wall mounting angled boxes for socket 16A e 32A
(New product and product modification)



Approximately after March 2016 angled surface mounting boxes for 16 and 32A will be available . The new boxes will replace the ones used for the surface mounting sockets 16 and 32A 512 and 517 type. The previous version of surface mounting socket boxes with blank side won't be available anymore. These boxes have threaded cable inlet holes in 3 different sizes:
M20 for 16A 2P+E and M25 for 16A 3+E and 3P+N+E with 70x84 flange.
M32 for all 32A polarities with 84x106 flange.

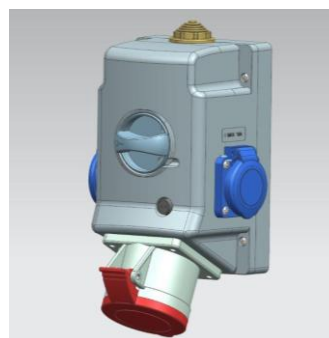
Surface mounting sockets 512 and 517 type and boxes 570 type will be provided with socket fixing screws and threaded cable grommet. The part numbers of the surface mounting sockets remain the same while the single empty boxes have new part numbers as following:

Description	Catalogue number	Price List
EMPTY SURFACE MOUNTING BOXES 16A IP67 ANGLED – M20	570.0116.20	€ 3,25
EMPTY SURFACE MOUNTING BOXES 16A IP67 ANGLED – M25	570.0116.25	€ 3,25
EMPTY SURFACE MOUNTING BOXES 16A IP67 ANGLED – M32	570.0132.32	€ 4,47



OPTIMA-COMBI Series

New



Switched sockets OPTIMA-COMBI Series

A new line of switched sockets combined with industrial and household sockets OPTIMA COMNBI Series are now available.

The range includes

- 16 and 32A industrial sockets 2P+E, 3P+E, 3P+N+E IP44/IP54.
- Combined with 1 or 2 French household sockets (other standards are available on request)
- Available with on/off switch disconnecter or phase reversing switch disconnecter (3P and 3P+N only).
- 32A version with 10A fuse for protecting household sockets.

The main characteristics are the following:

- Cable inlet M32 threaded hole on the top side and blank side with centering point at the rear.
- M32 threaded rubber cable sleeve is provided as standard (IP55).
- ON/OFF and reverse switch disconnecter suitable for switching off motor loads or other high inductive loads in according to EN60947-3 at 415V and rated current of the industrial socket.
- External fixing point.
- Already wired for using.
- Wide wiring room.
- Handle Padlockable with switch in on and off position.

Following the part numbers:

Rated Current	Poles	Household sockets	Fuse	Catalogue number Switch 0/I	Price List	Catalogue number Switch I/O/II	Price List
16A	2P+E	1xFR	WITHOUT FUSE	513.1653-1FNS	-	513.1653-1FNR	-
16A	3P+E	1xFR	WITHOUT FUSE	513.1656-1FNS	-	513.1656-1FNR	-
16A	3P+N+E	1xFR	WITHOUT FUSE	513.1657-1FNS	-	513.1657-1FNR	-
32A	2P+E	1xFR	WITH FUSE	513.3253-1FFS	-	513.3253-1FFR	-
32A	3P+E	1xFR	WITH FUSE	513.3256-1FFS	-	513.3256-1FFR	-
32A	3P+N+E	1Xfr	WITH FUSE	513.3257-1FFS	-	513.3257-1FFR	-
16A	2P+E	2xFR	WITHOUT FUSE	513.1653-2FNS	-	513.1653-2FNR	-
16A	3P+E	2xFR	WITHOUT FUSE	513.1656-2FNS	-	513.1656-2FNR	-
16A	3P+N+E	2xFR	WITHOUT FUSE	513.1657-2FNS	-	513.1657-2FNR	-
32A	2P+E	2xFR	WITH FUSE	513.3253-2FFS	-	513.3253-2FFR	-
32A	3P+E	2xFR	WITH FUSE	513.3256-2FFS	-	513.3256-2FFR	-
32A	3P+N+E	2xFR	WITH FUSE	513.3257-2FFS	-	513.3257-2FFR	-



OPTIMA-TOP Series

New



Switched socket OPTIMA-TOP Series

A new line of switched sockets OPTIMA TOP Series is now available. The range includes 16 and 32A industrial sockets 2P+E, 3P+E, 3P+N+E IP44 and IP66/67. The main characteristics are the following:

- Cable inlet:
 - For 16A one M25 threaded hole on one side and two threaded holes on the opposite side for incoming/outgoing wiring. Two blanking caps already tightened for closing the two threaded holes for incoming/outgoing wiring are provide as standard.
 - for 32A version one M32 threaded knock-out on one side and two M32 threaded knock-out on the opposite side for feed-through connections. Available also the version with one M25 threaded hole on one side and two threaded holes on the opposite side for incoming/outgoing wiring (as for 16A version).
 - For both 16 and 32A two centering points on the rear side to ease surface drilling.
- Switch disconnecter suitable for switching off motor loads or other high inductive loads in according to EN60947-3 at the rated current of the industrial socket.
- External fixing point.
- Wide wiring and cable housing room.
- Handle Padlockable with switch in on and off position.

Following the part numbers:

Rated Current	Poles	h	Cable entry	Protection degree	Catalogue number	Price List
16A	2P+E	6h – blue	M25	IP44	513.1653TS	-
16A	3P+E	6h – red	M25	IP44	513.1656TS	-
16A	3P+N+E	6h – red	M25	IP44	513.1657TS	-
32A	2P+E	6h – blue	M25	IP44	513.3253TS.A	-
32A	3P+E	6h – red	M25	IP44	513.3256TS.A	-
32A	3P+N+E	6h – red	M25	IP44	513.3257TS.A	-
32A	2P+E	6h – blue	M32	IP44	513.3253TS	-
32A	3P+E	6h – red	M32	IP44	513.3256TS	-
32A	3P+N+E	6h – red	M32	IP44	513.3257TS	-
16A	2P+E	6h – blue	M25	IP66/IP67	518.1653TS	-
16A	3P+E	6h – red	M25	IP66/IP67	518.1656TS	-
16A	3P+N+E	6h – red	M25	IP66/IP67	518.1657TS	-
32A	2P+E	6h – blue	M25	IP66/IP67	518.3253TS.A	-
32A	3P+E	6h – red	M25	IP66/IP67	518.3256TS.A	-
32A	3P+N+E	6h – red	M25	IP66/IP67	518.3257TS.A	-
32A	2P+E	6h – blue	M32	IP66/IP67	518.3253TS	-
32A	3P+E	6h – red	M32	IP66/IP67	518.3256TS	-
32A	3P+N+E	6h – red	M32	IP66/IP67	518.3257TS	-



OPTIMA-TOP Series



New surface/wall mounting plugs and sockets 63A e 125A

A new series of surface mounting plugs and sockets 63A e 125A with a new base and mantle terminals (crimp terminals) are now available.

The range includes plugs and sockets IP44 63A and IP66/67 125A

The new range replaces the previous version of Optima IP66/67 sockets 515 and plugs 245 family, which from 2017 will be not available anymore, therefore will not be included in the catalogue.

However it will be possible to get the old version by combining flush mounting sockets 413 and 418 and plugs 243 and 248 with empty box which will still remain in the catalogue and be sold separately.

All templates of fixing points are different and they are already available on Scame web site.

The main characteristic are the mantle terminal and the new base boxes.

New base boxes have the option of incoming inlets at the top or at the bottom side, being the contact carrier reversible like for Optima Top 16 and 32A version.

The single knock out is open and with metric thread (M40 for 63A and M63 for 125A).

At the opposite side is blank with 2 centering points for feed-through connections or to allow using different size of cable gland.

Cable gland provided fits with the knock out threaded hole.

The color is darker grey RAL7004 like mobile version 63 and 125A.

The new codes have changed and follow Optima-Top codification.

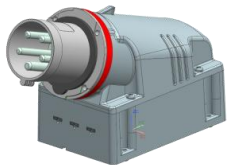
■ **Technical characteristic and advantages:**

- High performance materials, high resistance against impacts, heating, chemicals and atmospheric agents.
- Mantle (crimp) terminals for safer and more reliable electrical connections.
- Excellent flexibility for cable inlets (reversible top or bottom and blank side with 2 centering points to make incoming/outgoing wiring).
- Low insertion and withdrawal forces to ease plug in and plug out operations thanks to the new contact tubes and pins smooth surface.
- Completely halogen free and RHOS compliance material.
- External fixing eyelet points to allow mounting adjustment
- Suitable cable gland provided.
- Wide internal wiring space.

Following the part numbers:

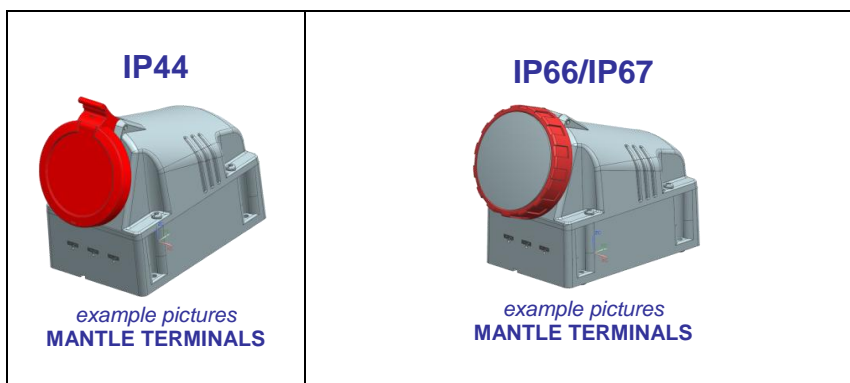


■ WALL MOUNTING PLUG

					 example pictures MANTLE TERMINALS		 example pictures MANTLE TERMINALS			
					63A Entry: M40 Package/Packing: 3/12		63A Entry: M40 Package/Packing: 3/12		125A Entry: M63 Package/Packing: 1/8	
Poles	Hz	Volt	Colours	h.						
2P+E	50/60	100-130	yellow	4	240.6390T	€ 36,92	245.6390T	€ 39,70	245.12590T	€ 86,18
	50/60	200-250	blue	6	240.6393T	€ 35,13	245.6393T	€ 37,77	245.12593T	€ 86,18
	50/60	380-415	red	9	240.6398T	€ 36,92	245.6398T	€ 39,70	245.12598T	€ 90,50
	50/60	480-500	grey	7	240.63936T	€ 43,90	245.63936T	€ 47,20	245.125936T	€ 107,70
	50/60	trasf.	grey	12	240.63933T	€ 43,90	245.63933T	€ 47,20	245.125933T	€ 107,70
	>300-500	>50	green	2	240.63932T	€ 43,90	245.63932T	€ 47,20	245.125932T	€ 107,70
	c.c.	>50-250	grey	3	240.63934T	€ 43,90	245.63934T	€ 47,20	245.125934T	€ 107,70
	c.c.	>250	grey	8	240.63938T	€ 43,90	245.63938T	€ 47,20	245.125938T	€ 107,70
3P+E	50/60	100-130	yellow	4	240.6391T	€ 38,52	245.6391T	€ 41,42	245.12591T	€ 91,77
	50/60	200-250	blue	9	240.6394T	€ 35,39	245.6394T	€ 38,05	245.12594T	€ 95,25
	50/60	380-415	red	6	240.6396T	€ 38,60	245.6396T	€ 41,50	245.12596T	€ 91,77
	60	440-460	red	11	240.63965T	€ 48,27	245.63965T	€ 51,90	245.125965T	€ 114,70
	50/60	480-500	grey	7	240.63966T	€ 48,27	245.63966T	€ 51,90	245.125966T	€ 114,70
	50/60	600-690	black	5	240.63967T	€ 48,27	245.63967T	€ 51,90	245.125967T	€ 114,70
	50...60	380...440	red	3	240.63964T	€ 48,27	245.63964T	€ 51,90	245.125964T	€ 114,70
	100-300	>50	green	10	240.63961T	€ 48,27	245.63961T	€ 51,90	245.125961T	€ 114,70
	>300-500	>50	green	2	240.63962T	€ 48,27	245.63962T	€ 51,90	245.125962T	€ 114,70
3P+N+E	50/60	100-130	yellow	4	240.6392T	€ 38,24	245.6392T	€ 41,42	245.12592T	€ 91,77
	50/60	208-250	blue	9	240.6395T	€ 41,62	245.6395T	€ 44,75	245.12595T	€ 105,40
	50/60	346-415	red	6	240.6397T	€ 41,45	245.6397T	€ 44,57	245.12597T	€ 105,40
	50/60	480-500	grey	7	240.63976T	€ 51,81	245.63976T	€ 55,71	245.125976T	€ 131,80
	50/60	600-690	black	5	240.63977T	€ 51,81	245.63977T	€ 55,71	245.125977T	€ 131,80
	60	440-460	red	11	240.63975T	€ 51,81	245.63975T	€ 55,71	245.125975T	€ 131,80
	50...60	380...440	red	3	240.63974T	€ 51,81	245.63974T	€ 55,71	245.125974T	€ 131,80
	>300-500	>50	green	2	240.63972T	€ 51,81	245.63972T	€ 55,71	245.125972T	€ 131,80



■ WALL MOUNTING SOCKET



<p>63A Entry: M40 Package/Packing: 3/12</p>	<p>63A Entry: M40 Package/Packing: 3/12</p>	<p>125A Entry: M63 Package/Packing: 1/8</p>
---	---	---

Poles	Hz	Volt	Colours	h.	63A		63A		125A	
2P+E	50/60	100-130	yellow	4	513.6350T	€ 45,82	518.6350T	€ 50,91	518.12550T	€ 109,10
	50/60	200-250	blue	6	513.6353T	€ 45,82	518.6353T	€ 50,91	518.12553T	€ 104,90
	50/60	380-415	red	9	513.6358T	€ 51,75	518.6358T	€ 57,50	518.12558T	€ 118,60
	50/60	480-500	grey	7	513.63536T	€ 57,33	518.63536T	€ 63,70	518.125536T	€ 131,10
	50/60	trasf.	grey	12	513.63533T	€ 57,33	518.63533T	€ 63,70	518.125533T	€ 131,10
	>300-500	>50	green	2	513.63532T	€ 57,33	518.63532T	€ 63,70	518.125532T	€ 131,10
	c.c.	>50-250	grey	3	513.63534T	€ 57,33	518.63534T	€ 63,70	518.125534T	€ 131,10
	c.c.	>250	grey	8	513.63538T	€ 57,33	518.63538T	€ 63,70	518.125538T	€ 131,10
3P+E	50/60	100-130	yellow	4	513.6351T	€ 48,26	518.6351T	€ 53,62	518.12551T	€ 118,10
	50/60	200-250	blue	9	513.6354T	€ 48,26	518.6354T	€ 53,62	518.12554T	€ 118,10
	50/60	380-415	red	6	513.6356T	€ 46,56	518.6356T	€ 51,73	518.12556T	€ 113,60
	60	440-460	red	11	513.63565T	€ 58,14	518.63565T	€ 64,60	518.125565T	€ 142,00
	50/60	480-500	grey	7	513.63566T	€ 58,14	518.63566T	€ 64,60	518.125566T	€ 142,00
	50/60	600-690	black	5	513.63567T	€ 58,14	518.63567T	€ 64,60	518.125567T	€ 142,00
	50...60	380...440	red	3	513.63564T	€ 58,14	518.63564T	€ 64,60	518.125564T	€ 142,00
	100-300	>50	green	10	513.63561T	€ 58,14	518.63561T	€ 64,60	518.125561T	€ 142,00
>300-500	>50	green	2	513.63562T	€ 58,14	518.63562T	€ 64,60	518.125562T	€ 142,00	
3P+N+E	50/60	100-130	yellow	4	513.6352T	€ 50,46	518.6352T	€ 56,07	518.12552T	€ 124,00
	50/60	208-250	blue	9	513.6355T	€ 50,46	518.6355T	€ 56,07	518.12555T	€ 124,00
	50/60	346-415	red	6	513.6357T	€ 48,59	518.6357T	€ 53,99	518.12557T	€ 119,30
	50/60	480-500	grey	7	513.63576T	€ 60,75	518.63576T	€ 67,50	518.125576T	€ 149,30
	50/60	600-690	black	5	513.63577T	€ 60,75	518.63577T	€ 67,50	518.125577T	€ 149,30
	60	440-460	red	11	513.63575T	€ 60,75	518.63575T	€ 67,50	518.125575T	€ 149,30
	50...60	380...440	red	3	513.63574T	€ 60,75	518.63574T	€ 67,50	518.125574T	€ 149,30
	>300-500	>50	green	2	513.63572T	€ 60,75	518.63572T	€ 67,50	518.125572T	€ 149,30



COMMAND Series

New

Switch disconnectors COMMAND Series and related accessories



COMMAND Series enlarges with a new range of switch disconnectors fuses from 160 up to 1600A. In addition to reliability and high level of quality, the most important characteristic of this range are the high electrical performances at the utilization category AC23A in according to the standard EN60947-3 (switching off motor loads or other high inductive loads) which makes this range suitable for various applications as motor switch, main switch, disconnector, safety switch and much more.

In fact all the switches have the same AC23A current at 415V at the same value of the rated current. These switch disconnectors can be used as spare part for enclosed switch disconnectors Isolators series. It is also available a wide range of accessories:

- auxiliary contacts
- terminal covers
- door interlock red (emergency use) and black (general use) handle
- extension shafts of different length (200-300-400mm)

Items are provided with black handle, 200mm-length –shaft and main contact cover shield.

Following the part numbers:

■ SWITCH DISCONNECTORS

Rated current	Type Techn.	Switch size	Catalogue number 3P	Price List	Catalogue number 3P+N	Price List
160A	VC1P	K1	590.K16003B	-	590.K16005B	-
200A	VC2P	K2	590.K20003B	€ 217,40	590.K20005B	€ 222,50
250A	VC2P	K2	590.K25003B	€ 257,70	590.K25005B	€ 270,10
315A	VC3P	K3	590.K31503B	€ 343,60	590.K31505B	€ 362,30
400A	VC3P	K3	590.K40003B	€ 359,20	590.K40005B	€ 384,00
500A	VC3P	K3	590.K50003B	€ 413,00	590.K50005B	€ 434,70
630A	VC4P	K4	590.K63003B	€ 512,00	590.K63005B	€ 552,00
800A	VC5P	K5	590.K80003B	€ 707,00	590.K80005B	
1.000A	VC5P	K5	590.K100003B	€ 874,00	590.K100005B	€ 921,00
1.250A	VC5P	K5	590.K125003B	€ 1.060,00	590.K125005B	€ 1.116,00
1.600A	VC6P	K6	590.K160003B	€ 1.605,00	590.K160005B	€ 1.702,00



■ DOOR INTERLOCK SHAFT

Description	Switch size	Catalogue number	Price List
General use	K1/K2	590.KMM100GE	-
General use	K3/K4	590.KMM300GE	-
General use	K5	590.KMM500GE	-
General use (double lever)	K5	590.KMM550GE	-
General use (double lever)	K6	590.KMM600GE	-
Emergency	K1/K2	590.KMM100EM	-
Emergency	K3/K4	590.KMM300EM	-
Emergency	K5	590.KMM500EM	-
Emergency (double lever)	K5	590.KMM550EM	-
Emergency (double lever)	K6	590.KMM600EM	-

■ EXTENSION SHAFT

Description	Switch size	Catalogue number	Price List
200mm	K1/K2	590.KMA200A	-
200mm	K3/K4/K5/K6	590.KMA200B	-
300mm	K1/K2	590.KMA300A	-
300mm	K3/K4/K5/K6	590.KMA300B	-
400mm	K1/K2	590.KMA400A	-
400mm	K3/K4/K5/K6	590.KMA400B	-

■ TERMINAL COVER

Description	Switch size	Catalogue number	Price List
Upper terminal cover	K1	590.KMT11	-
Upper terminal cover	K2	590.KMT21	-
Upper terminal cover	K3	590.KMT31	-
Upper terminal cover	K4	590.KMT41	-
Upper terminal cover	K5	590.KMT51	-
Lower terminal cover	K1	590.KMT12	-
Lower terminal cover	K2	590.KMT22	-
Lower terminal cover	K3	590.KMT32	-
Lower terminal cover	K4	590.KMT42	-
Lower terminal cover	K5	590.KMT52	-

■ AUXILIARY CONTACT

Description	Switch size	Catalogue number	Price List
Auxiliary contact 1NO+1NC	K1/K2	590.PL006011	€ 13,84
Auxiliary contact 1NO+1NC	K3/K5/K6	590.PL006012	€ 13,84
Auxiliary contact 1NO+1NC	K4	590.PL006013	€ 13,84
Auxiliary contact 2NO+2NC	K1/K2	590.PL006021	€ 21,86
Auxiliary contact 2NO+2NC	K3/K5/K6	590.PL006022	€ 21,86
Auxiliary contact 2NO+2NC	K4	590.PL006023	€ 21,86



COMMAND Series

New

Switch disconnectors fuses COMMAND Series and related accessories



COMMAND Series expands with a new range of switch disconnector fuses from 63 up to 630A. In addition to the reliability and the high level of quality, the most important characteristic of this range are the high electrical performances at the utilization category AC23A in according to the standard EN60947-3 (switching off motor loads or other high inductive loads) which makes this range suitable for various applications as motor switch, main switch, disconnector, safety switch and much more.

In fact all the switches have the same AC23A current at 415V at the same value of the rated current.

Available in two different fuse version DIN or BS fuses

It is also available a wide range of accessories:

- auxiliary contacts
- terminal covers
- fuses covers
- door interlock red (emergency use) and black (general use) handle
- extension shafts of different length (200-300-400mm)

Items are provided with black handle, 200mm-length –shaft and main contact cover shield.

Following the part numbers:

■ SWITCH DISCONNECTORS FUSES

Poles	Rated Current	Switch size	Catalogue number <i>Fuse type: BS</i>	Price List	Catalogue number <i>Fuse type: DIN-NH</i>	Price List
3P	63A	KF1	590.KFB6303B	€ 198,00	590.KFD6303B	€ 198,00
3P	80A	KF1	590.KFB8003B	€ 214,00	590.KFD8003B	€ 214,00
3P	100A	KF2	590.KFB10003B	€ 229,00	590.KFD10003B	€ 229,00
3P	125A	KF2	590.KFB12503B	€ 262,00	590.KFD12503B	€ 262,00
3P	160A	KF2	590.KFB16003B	€ 300,00	590.KFD16003B	€ 300,00
3P	200A	KF3	590.KFB20003B	€ 438,00	590.KFD20003B	€ 438,00
3P	250A	KF3	590.KFB25003B	€ 480,00	590.KFD25003B	€ 480,00
3P	315A	KF4	590.KFB31503B	€ 559,00	590.KFD31503B	€ 559,00
3P	400A	KF4	590.KFB40003B	€ 599,00	590.KFD40003B	€ 599,00
3P	630A	KF5	590.KFB63003B	€ 1.048,00	590.KFD63003B	€ 1.048,00
3P+N	63A	KF1	590.KFB6305B	€ 210,00	590.KFD6305B	€ 210,00
3P+N	80A	KF1	590.KFB8005B	€ 223,00	590.KFD8005B	€ 223,00
3P+N	100A	KF2	590.KFB10005B	€ 257,00	590.KFD10005B	€ 257,00
3P+N	125A	KF2	590.KFB12505B	€ 294,00	590.KFD12505B	€ 294,00
3P+N	160A	KF2	590.KFB16005B	€ 344,00	590.KFD16005B	€ 344,00
3P+N	200A	KF3	590.KFB20005B	€ 479,00	590.KFD20005B	€ 479,00
3P+N	250A	KF3	590.KFB25005B	€ 525,00	590.KFD25005B	€ 525,00
3P+N	315A	KF4	590.KFB31505B	€ 652,00	590.KFD31505B	€ 652,00
3P+N	400A	KF4	590.KFB40005B	€ 698,00	590.KFD40005B	€ 698,00
3P+N	630A	KF5	590.KFB63005B	€ 1.163,00	590.KFD63005B	€ 1.163,00



■ DOOR INTERLOCK SHAFT

Description	Switch size	Catalogue number	Price List
General use	K1/K2	590.KMM100GE	-
General use	K3/K4	590.KMM300GE	-
General use	K5	590.KMM500GE	-
General use (double lever)	K5	590.KMM550GE	-
Emergency	K1/K2	590.KMM100EM	-
Emergency	K3/K4	590.KMM300EM	-
Emergency	K5	590.KMM500EM	-
Emergency (double lever)	K5	590.KMM550EM	-

■ EXTENSION SHAFT

Description	Switch size	Catalogue number	Price List
200mm	K1/K2	590.KMA200A	-
200mm	K3/K4/K5/K6	590.KMA200B	-
300mm	K1/K2	590.KMA300A	-
300mm	K3/K4/K5/K6	590.KMA300B	-
400mm	K1/K2	590.KMA400A	-
400mm	K3/K4/K5/K6	590.KMA400B	-

■ TERMINAL COVER

Description	Switch size	Catalogue number	Price List
Upper terminal cover	K1	590.KMT11	-
Upper terminal cover	K2	590.KMT21	-
Upper terminal cover	K3	590.KMT31	-
Upper terminal cover	K4	590.KMT41	-
Upper terminal cover	K5	590.KMT51	-
Lower terminal cover	K1	590.KMT12	-
Lower terminal cover	K2	590.KMT22	-
Lower terminal cover	K3	590.KMT32	-
Lower terminal cover	K4	590.KMT42	-
Lower terminal cover	K5	590.KMT52	-

■ AUXILIARY CONTACT

Description	Switch size	Catalogue number	Price List
Auxiliary contact 1NO+1NC	K1/K2	590.PL006011	€ 13,84
Auxiliary contact 1NO+1NC	K3/K5/K6	590.PL006012	€ 13,84
Auxiliary contact 1NO+1NC	K4	590.PL006013	€ 13,84
Auxiliary contact 2NO+2NC	K1/K2	590.PL006021	€ 21,86
Auxiliary contact 2NO+2NC	K3/K5/K6	590.PL006022	€ 21,86
Auxiliary contact 2NO+2NC	K4	590.PL006023	€ 21,86



■ **FUSES COVER**

Description	Switch size	Catalogue number	Price List
Fuses cover	K1	590.KFS1	-
Fuses cover	K2	590.KFS2	-
Fuses cover	K3	590.KFS3	-
Fuses cover	K4	590.KFS4	-
Fuses cover	K5	590.KFS5	-

SCAME PARRE S.p.A.
Marketing Dept.