



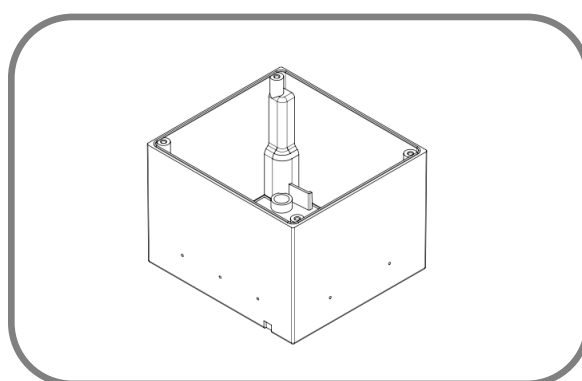
TO SCAME CLIENTS

List of new available products

(Refer to Commercial Dept for item codes and prices)

OMNIA System

Knock outs replacement with self-centering punch marks on boxes for surface mounting interlocked sockets OMNIA Series 16A and 32A.



As for 63A, in order to increase the flexibility of the cable entries, from June 2015 the boxes for surface mounting interlocked sockets OMNIA Series 16 and 32A, knock outs will be replaced by handy self-centering punch marks which pinpoint three different possible drilling

points (two lateral and one central positions) specifying the max size of the acceptable cable gland.

Removing the knock out the distinction between Metric and PG entries will not be necessary anymore, thus all part numbers with "M" will be eliminated, leaving active just the part numbers without the letter "M".

Self centering punch marks allow to drill the sides of the boxes in more different positions than the ones pinpointed and for different smaller sizes of cable glands.

Furthermore the use of knock outs is obsolete because of the poor precision of the result of the operation which needs to be adjusted by the use of a cutter, and there is the enclosure breaks irreparably in case of use of improper tools or when ambient temperature is low as well.

That's why nowadays installers use a driller when there are knock outs anyhow.

This modification will involve all interlocked sockets 16 and 32A using the boxes for surface mounting.

EVOLUTION Series

New Product - EVOLUTION Series - Brazilian socket red colored

A new Item joins to the EVOLUTION Series, the Brazilian socket 10A red colored.



Catalogue numeber	Description	Pack qty.	Price List 54
101.6421.R	BRAZILIAN SOCKET 2P+E 10A - 250V RED	12/480	€ 3,76



Plug and socket Zone 1-21 (Gas&Dust)




In chemical and petrochemical plants, or, in general, in all those places where a production process gives the possibility to get a potentially explosive atmosphere are necessary the electrical equipment to be protected from the risk of explosion and they comply with Directive ATEX 94 / 9 / EC. SCAME wants to complete the ATEX project, which currently covers only the dust area (Zone 21/22), with the introduction of a new Ex d e switch designed and manufactured by SCAME called COMMAND-EX, Ex de IIC Gb. The plugs and sockets for Zone 1 respect of DUST, require special design arrangements including the materials and seals, and the need to have a key insertion to prevent the connection of plugs by other manufacturers. These and other measures are needed to prevent that any spark or arc, which is formed through the cutting of the supply voltage, or in the moment of coupling or decoupling plug from socket, and come in contact with the surrounding atmosphere and cause an explosion.



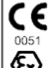
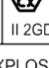
ZONE 1, Series ADVANCE-GRP[GD] and OPTIMA-EX they will include the whole range up to 125A.



WARNING
Tcable 80°C when the
maximum Ta is +60°C



INERIS 15ATEX0017X 2015
IECEX INE 15.0033X 
Ex e IIC T6 Gb II 2GD
Ex tb IIIC T80°C Db
Tamb. -35/+60°C IP66

504.1683	2015	
INERIS 15ATEX0017X		Via Costa Erta 15 Parre BG ITALY
IECEX INE 15.0033X		 2P+ 16A 6h 200-250V~  II 2GD
Ex d e IIC T6 Gb		
Ex tb IIIC Db T80°C IP66		
Tamb. -35/+60°C	WARNING: DO NOT OPEN WHEN AN EXPLOSIVE ATMOSPHERE IS PRESENT	

Atex Certificate
INERIS 15ATEX0017X

IECEX Certificate
IECEX INE 15.0033X



■ **ADVANCE-GRP[GD] Series**

Poles	Hz	Volt	Color	h.	16A	32A	63A	Color	125A	Availability
2P+E	50/60	100-130	Yellow	4	504.1670	504.3270	-	-	-	In Stock
	50/60	200-250	Blue	6	504.1683	504.3283	-	-	-	In Stock
	50/60	380-415	Red	9	504.1678	504.3278	-	-	-	Make to order
	50/60	480-500	Red	7	504.16836	504.32836	-	-	-	Make to order
	300÷500	50÷500	Red	2	504.16832	504.32832	-	-	-	Make to order
	D.C.	50÷250	Red	3	504.16834	504.32834	-	-	-	Make to order
	D.C.	>250÷500	Red	8	504.16838	504.32838	-	-	-	Make to order
3P+E	50/60	100-130	Yellow	4	504.1672	504.3272	504.6372	Black	504.12572	Make to order
	50/60	200-250	Blue	9	504.1674	504.3274	504.6374	Black	504.12574	In Stock
	50/60	380-415	Red	6	504.1686	504.3286	504.6386	Black	504.12586	In Stock
	60	440-460	Red	11	504.16865	504.32865	504.63865	Black	504.125865	Make to order
	50/60	480-500	Red	7	504.16866	504.32866	504.63866	Black	504.125866	In Stock
	50/60	600-690	Red	5	504.16867	504.32867	504.63867	Black	504.125867	In Stock
	50/60	380/440	Red	3	504.16864	504.32864	504.63864	Black	504.125864	Make to order
	100÷300	50÷690	Red	10	504.16861	504.32861	504.63861	Black	504.125861	Make to order
	>300÷500	50÷690	Red	2	504.16862	504.32862	504.63862	Black	504.125862	Make to order
3P+N+E	50/60	100-130	Yellow	4	504.1679	504.3279	504.6379	Black	504.12579	Make to order
	50/60	208-250	Blue	9	504.1675	504.3275	504.6375	Black	504.12575	In Stock
	50/60	346-415	Red	6	504.1687	504.3287	504.6387	Black	504.12587	In Stock
	50/60	480-500	Red	7	504.16376	504.32876	504.63876	Black	504.125876	In Stock
	50/60	600-690	Red	5	504.16877	504.32877	504.63877	Black	504.125877	In Stock
	60	440-460	Red	11	504.16875	504.32875	504.63875	Black	504.125875	Make to order
	50/60	380/440	Red	3	504.16874	504.32874	504.63874	Black	504.125874	Make to order
	>300÷500	50÷690	Red	2	504.16872	504.32872	504.63872	Black	504.125872	Make to order

ELECTRICAL FEATURES

Sockets Type	16/32A			63A			CZ0513-180A
	400V	500V	690V	690V	500V	690V	690V
AC3	--	25A	--	--	50A	--	125A
AC22A	--	--	32A	--	--	63A	125A
AC23A	--	32A	--	--	--	63A	125A

PRICE LIST

Cat. Numeber	Price List 54
504.12586	€ 1.560,00
504.12587	€ 1.660,00
504.1683	€ 265,00
504.1686	€ 285,00
504.1687	€ 310,00
504.3283	€ 500,00
504.3286	€ 540,00
504.3287	€ 560,00
504.6386	€ 680,00
504.6387	€ 720,00





■ OPTIMA-EX[GD] Series

Poles	Hz	Volt	Color	h.	16A	32A	63A	Color	125A	Availability
2P+E	50/60	100-130	Yellow	4	219.1630	219.3230	-	-	-	In Stock
	50/60	200-250	Blue	6	219.1633	219.3233	-	-	-	In Stock
	50/60	380-415	Red	9	219.1638	219.3238	-	-	-	Make to order
	50/60	480-500	Red	7	219.16336	219.32336	-	-	-	Make to order
	300÷500	50÷500	Red	2	219.16332	219.32332	-	-	-	Make to order
	D.C.	50÷250	Red	3	219.16334	219.32334	-	-	-	Make to order
	D.C.	>250÷500	Red	8	219.16338	219.32338	-	-	-	Make to order
3P+E	50/60	100-130	Yellow	4	219.1631	219.3231	219.6331	Black	219.12531	Make to order
	50/60	200-250	Blue	9	219.1634	219.3234	219.6334	Black	219.12534	In Stock
	50/60	380-415	Red	6	219.1636	219.3236	219.6336	Black	219.12536	In Stock
	60	440-460	Red	11	219.16365	219.32365	219.63365	Black	219.125365	Make to order
	50/60	480-500	Red	7	219.16366	219.32366	219.63366	Black	219.125366	In Stock
	50/60	600-690	Red	5	219.16367	219.32367	219.63367	Black	219.125367	In Stock
	50/60	380/440	Red	3	219.16364	219.32364	219.63364	Black	219.125364	Make to order
	100÷300	50÷690	Red	10	219.16361	219.32361	219.63361	Black	219.125361	Make to order
	>300÷500	50÷690	Red	2	219.16362	219.32362	219.63362	Black	219.125362	Make to order
3P+N+E	50/60	100-130	Yellow	4	219.1632	219.3232	219.6332	Black	219.12532	Make to order
	50/60	208-250	Blue	9	219.1635	219.3235	219.6335	Black	219.12535	In Stock
	50/60	346-415	Red	6	219.1637	219.3237	219.6337	Black	219.12537	In Stock
	50/60	480-500	Red	7	219.16376	219.32376	219.63376	Black	219.125376	In Stock
	50/60	600-690	Red	5	219.16377	219.32377	219.63377	Black	219.125377	In Stock
	60	440-460	Red	11	219.16375	219.32375	219.63375	Black	219.125375	Make to order
	50/60	380/440	Red	3	219.16374	219.32374	219.63374	Black	219.125374	Make to order
	>300÷500	50÷690	Red	2	219.16372	219.32372	219.63372	Black	219.125372	Make to order

ELECTRICAL FEATURES

Rated Current	Maximun Current			Max. Cable Entry Temperature when Ta +60°C
	Ta 40°C	Ta 50°C	Ta 60°C	
16A	16A	16A	16A	80°C (*)
32A	32A	32A	32A	85°C (*)
63A	63A	63A	63A	90°C (*)
125A	100A	112A	125A	--

PRICE LIST

Cat. Numeber	Price List 54
219.12536	€ 280,00
219.12537	€ 312,00
219.1633	€ 52,00
219.1636	€ 58,00
219.1637	€ 66,00
219.3233	€ 81,00
219.3236	€ 86,00
219.3237	€ 95,00
219.6336	€ 160,00
219.6337	€ 170,00

