



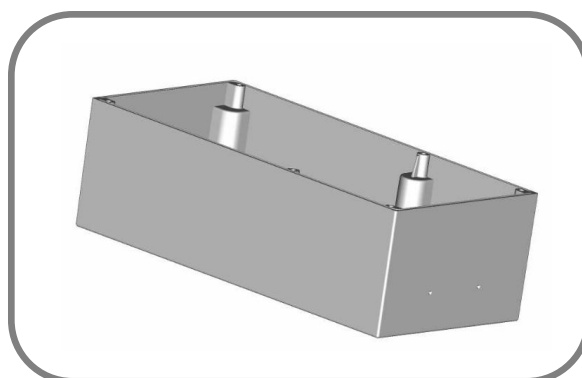
TO SCAME CLIENTS

List of new available products

(Refer to Commercial Dept for item codes and prices)

OMNIA System

Knock outs replacement with self-centering punch marks on boxes 572.M0308 for surface mounting interlocked sockets OMNIA Series 63A



From May 2015 in order to increase the flexibility of the cable entries of the boxes 572.M0308 for OMNIA interlocked sockets 63A, knock outs will be replaced by handy self-centering punch marks which pinpoints the three possible points to drill (two lateral and one central) specifying the max size of the acceptable cable gland.

Self centering punch marks allow to drill the sides of the boxes in different positions than the ones pinpointed and for different smaller sizes of cable glands anyhow.

The use of knock outs is obsolete due to the poor precision of the result of the operation which needs to be adjusted by the use of cutter, as well it risks the enclosure breaks irreparably in case of use of improper tools or where ambient temperature is low, that's why nowadays installers use a driller when there are knock outs anyhow.

Consequently the modification will be apply on all interlocked sockets 63A using the boxes 572.M0308, as surface version.

With this solution will be eliminated the codes with the identification "M" for the metric entries.