



## TO SCAME CLIENTS

### List of new available products

(Refer to Commercial Dept for item codes and prices)

### DATATEL Series – Cat. 6

New products in DATATEL Series  
Components for RJ45 **cat. 6** trasmission systems



Catalogue number	Description	Pack Qty.
180.815	SPINA VOLANTE – PLUG RJ45 – CAT.6 – UTP – (*)	10/100
180.822	SOCKET OUTLET RJ45 – CAT.6 – UTP	25/100
180.823	SOCKET OUTLET RJ45 – CAT.6 – FTP	25/100
180.854	PATCH CORD – PLUG RJ45 – CAT.6 – 1m – UTP	12/60
180.855	PATCH CORD – PLUG RJ45 – CAT.6 – 1m – FTP	12/60
180.856	PATCH CORD – PLUG RJ45 – CAT.6 – 3m – UTP	12/60
180.857	PATCH CORD – PLUG RJ45 – CAT.6 – 3m – FTP	12/60

(\*) suitable for rigid cables

### BLUELINE Series

Saving space adaptor 10A

New saving space domestic adaptor 10 Amp in BLUELINE Series.  
Available only with Italian plug, in white or black versions.



#### Three Way Adaptors

Catalogue number	Description	Pack Qty.
146.560	10A 2P+T - 2x10A/1xP30 - White	25/250 [*]
146.560/N	10A 2P+T - 2x10A/1xP30 - Black	25/250 [*]

[\*] single packing



## DOMO Series

French and German standard (light version)

SCAME adds two new products in DOMO Series (570 Blue) French and German Standard sockets in "LIGHT" version.

These sockets are without shutters and can be sold only in some countries according to the standards of each country.



Catalogue number	Description	Pack Qty.
570.2561	GERMAN STANDARD SOCKET F/RID. LIGHT 16A 250V	10/100
570.2591	FRENCH STANDARD SOCKET F/RID. LIGHT 16A 250V	10/100

## TOP22 Series

enbloc pilot lamps with led

Enbloc pilot lamps TOP22 improve their characteristics by new led technology lamps, longer-lasting and more efficient, in replacement of fluorescent technology lamps.

Moreover now lamps are provided.



Catalogue number	Description
590.PLML1L220	ENBLOC PILOT LAMPS ø22mm – RED – 220V
590.PLML2L220	ENBLOC PILOT LAMPS ø22mm – GREEN – 220V
590.PLML3L220	ENBLOC PILOT LAMPS ø22mm – YELLOW – 220V
590.PLML4L220	ENBLOC PILOT LAMPS ø22mm – BLUE – 220V
590.PLML5L220	ENBLOC PILOT LAMPS ø22mm – WHITE – 220V



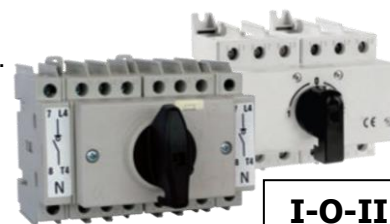
## COMMAND Series

Change-over switches 3P and 3P+N from 16 up to 160A



Further extension of COMMAND Series by the new range of change-over switches 3 poles and 3 poles plus neutral from 16A up to 160A.

Available box version for Din rail and rear plate mounting application only.



**I-O-II**

Catalogue number	Application	Poles	Rated Current
590.YA163B-C	BOX	3P	16A
590.YA253B-C	BOX	3P	25A
590.YA323B-C	BOX	3P	32A
590.YA403B-C	BOX	3P	40A
590.YA633B-C	BOX	3P	63A
590.YA803B-C	BOX	3P	80A
590.YA1003B-C	BOX	3P	100A
590.YA1253B-C	BOX	3P	125A
590.YA1603B-C	BOX	3P	160A
590.YA165B-C	BOX	3P+N	16A
590.YA255B-C	BOX	3P+N	25A
590.YA325B-C	BOX	3P+N	32A
590.YA405B-C	BOX	3P+N	40A
590.YA635B-C	BOX	3P+N	63A
590.YA805B-C	BOX	3P+N	80A
590.YA1005B-C	BOX	3P+N	100A
590.YA1255B-C	BOX	3P+N	125A
590.YA1605B-C	BOX	3P+N	160A

Available also the related front operators and extension bars.

Catalogue number	Description
590.YMA101	Extension bar 5x5 (oriented) 100 mm
590.YMA201	Extension bar 5x5 (oriented) 200 mm
590.YMA301	Extension bar 5x5 (oriented) 300 mm
590.YM80B1	Front operator (emergency-red/yellow) 16A-160A
590.YM80B2	Front operator (emergency-red/yellow) 16A-160A





## COMMAND Series

Switch disconnectors 3P and 3P+N from 16 up to 160A and DC version for photovoltaic application



Further extension of COMMAND Series by the new range of change-over switches 3 poles and 3 poles plus neutral 100-125-160A and by the new range of DC current version for photovoltaic application. Available box version for Din rail and rear plate mounting application only.

### ■ Switch disconnectors 100-125-160A Type B 3P and 3P+N

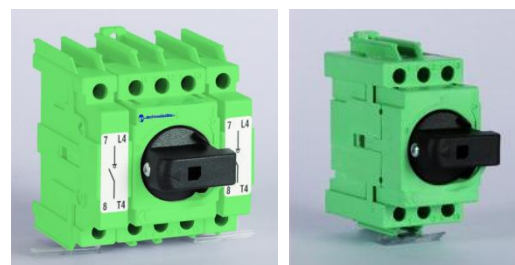
Catalogue number 3P	Catalogue number 3P+N	Rated Current
<b>590.YA1003B (*)</b>	590.YA1005B	100A
590.YA1253B	590.YA1255B	125A
590.YA1603B	590.YA1605B	160A



(\*) Attention: replaces the old item with the same part number

### ■ DC versions for photovoltaic applications

Catalogue number	Rated Voltage	Rated Current
590.DC0416	450V	16A
590.DC0815	800V	15A
590.DC0820	800V	20A
590.DC0825	800V	25A
590.DC0830	800V	30A
590.DC0840	800V	40A



Available also the related front operators and extension bars.

Catalogue number	Description
590.YMA101	Extension bar 5x5 (oriented) 100 mm
590.YMA201	Extension bar 5x5 (oriented) 200 mm
590.YMA301	Extension bar 5x5 (oriented) 300 mm
590.YM80B1	Front operator (emergency-red/yellow) 16A-160A
590.YM80B2	Front operator (emergency-red/yellow) 16A-160A





## ISOLATORS Series

Enclosed change-over switches 3P and 3P+N from 16A up to 160A



Further extension of ISOLATORS Series by the new range of enclosed change-over switches 3 poles and 3 poles plus neutral from 16A up to 160A.  
Available in thermoplastic, aluminum and stainless steel enclosure.

### ■ THERMOPLASTIC enclosure – General use [GE]

Catalogue number 3P	Catalogue number 3P+N	Rated Current
590.GE1603-C	590.GE1605-C	16A
590.GE2503-C	590.GE2505-C	25A
590.GE3203-C	590.GE3205-C	32A
590.GE4003-C	590.GE4005-C	40A
590.GE6303-C	590.GE6305-C	63A
590.GE8003-C	590.GE8005-C	80A
590.GE10003-C	590.GE10005-C	100A
590.GE12503-C	590.GE12505-C	125A
590.GE16003-C	590.GE16005-C	160A



### ■ ALUMINIUM enclosure – General use [HGE]

Catalogue number 3P	Catalogue number 3P+N	Rated Current
590.HGE1603-C	590.HGE1605-C	16A
590.HGE2503-C	590.HGE2505-C	25A
590.HGE3203-C	590.HGE3205-C	32A
590.HGE4003-C	590.HGE4005-C	40A
590.HGE6303-C	590.HGE6305-C	63A
590.HGE8003-C	590.HGE8005-C	80A
590.HGE10003-C	590.HGE10005-C	100A
590.HGE12503-C	590.HGE12505-C	125A
590.HGE16003-C	590.HGE16005-C	160A



### ■ STAINLESS STEEL enclosure – General use [SGE]

Catalogue number 3P	Catalogue number 3P+N	Rated Current
590.SGE1603-C	590.SGE1605-C	16A
590.SGE2503-C	590.SGE2505-C	25A
590.SGE3203-C	590.SGE3205-C	32A
590.SGE4003-C	590.SGE4005-C	40A
590.SGE6303-C	590.SGE6305-C	63A
590.SGE8003-C	590.SGE8005-C	80A
590.SGE10003-C	590.SGE10005-C	100A
590.SGE12503-C	590.SGE12505-C	125A
590.SGE16003-C	590.SGE16005-C	160A



## ISOLATORS Series

High rating enclosed switches from 16A up to 160A



A new range of sheet steel hinged enclosed switches for high rated current is available from 160 up to 1600A.

The range is composed by two version for general use (black handle):

Top/bottom cable entry

Bottom/bottom connection with bus bar system (which allow cable entry on the bottom side only)

Lastly the range has been completed with emergency use (red handle) top/bottom cable entry.  
Available 3P and 3P+N

Poles	Rated Current	Catalogue number TOP/BOTTOM		Catalogue number BOTTOM /BOTTOM
		GENERAL USE	EMERGENCY	GENERAL USE
3P	160A	590.KGE16003	590.KEM16003	590.KGE16003B
	200A	590.KGE20003	590.KEM20003	590.KGE20003B
	250A	590.KGE25003	590.KEM25003	590.KGE25003B
	315A	590.KGE31503	590.KEM31503	590.KGE31503B
	400A	590.KGE40003	590.KEM40003	590.KGE40003B
	500A	590.KGE50003	590.KEM50003	590.KGE50003B
	630A	590.KGE63003	590.KEM63003	590.KGE63003B
	800A	590.KGE80003	590.KEM80003	590.KGE80003B
	1.000A	590.KGE100003	590.KEM100003	590.KGE100003B
	1.250A	590.KGE125003	590.KEM125003	590.KGE125003B
1.600A	590.KGE160003	590.KEM160003	590.KGE160003B	
3P+N	160A	590.KGE16005	590.KEM16005	590.KGE16005B
	200A	590.KGE20005	590.KEM20005	590.KGE20005B
	250A	590.KGE25005	590.KEM25005	590.KGE25005B
	315A	590.KGE31505	590.KEM31505	590.KGE31505B
	400A	590.KGE40005	590.KEM40005	590.KGE40005B
	500A	590.KGE50005	590.KEM50005	590.KGE50005B
	630A	590.KGE63005	590.KEM63005	590.KGE63005B
	800A	590.KGE80005	590.KEM80005	590.KGE80005B
	1.000A	590.KGE100005	590.KEM100005	590.KGE100005B
	1.250A	590.KGE125005	590.KEM125005	590.KGE125005B
1.600A	590.KGE160005	590.KEM160005	590.KGE160005B	



### ADAPTO Series

Multi-way adaptors 3 sockets 3P+E 32a IP44 and IP66



New multi-way adaptors with appliance inlet 3 sockets 32A 3P+E IP44 and IP66 available

Catalogue number	Description
603.3005	ADAPTOR WITH APPLIANCE INLET 3X3P+T 32A IP44
603.3505	ADAPTOR WITH APPLIANCE INLET 3X3P+T 32A IP66

### ADVANCE-GRP System

Plate for din modules cavity for ADVANCE-GRP system consumer unit



Are available separately from the related base with consumer unit ADVANCE-GRP System the plate for din modules cavity

Catalogue number	Description
579.0450	KIT PLATE FOR DIN MODULES CAVITY (4 MOD. DIN)



## ENERBOX Series

Modular enclosure (blank side with knock-outs)

**New**



Catalogue number	Description	Pack Qty.
633.1013	Modular enclosure 6 DIN 1x16/32A – 4 knock-outs	1
633.1014	Modular enclosure 6 DIN 1x63A – 4 knock-outs	1
633.2024	Modular enclosure 11 DIN 2x16/32A – 4 knock-outs	1
633.2025	Modular enclosure 11 DIN 2x63A – 4 knock-outs	1
633.2026	Modular enclosure 11 DIN 1x16/32A + 1x63A – 4 knock-outs	1

## OPTIMA-COMBI Series

OPTIMA-COMBI Series with Danish domestic socket 16A

**New**



Domestic socket protection by 16A fuse.

### ■ Without protection

Catalogue number	Domestic socket	Industrial socket	Pack Qty.
513.1653-KF	DANISH SOCKET 16A	16A 2P+E	1/10
513.1656-KF	DANISH SOCKET 16A	16A 3P+E	1/10
513.1657-KF	DANISH SOCKET 16A	16A 3P+N+E	1/10

### ■ With protection: 16A fuse

Catalogue number	Domestic socket	Industrial socket	Pack Qty.
513.3253-KN	DANISH SOCKET 16A	32A 2P+E	1/10
513.3256-KN	DANISH SOCKET 16A	32A 3P+E	1/10
513.3257-KN	DANISH SOCKET 16A	32A 3P+N+E	1/10





## OPTIMA Series

### Plugs and sockets 63A IP44



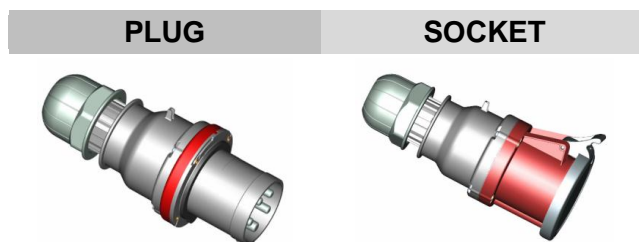
Since February 2015 is available a new range of plugs and sockets 63A IP44.

The range includes plugs and connectors, flush mounting sockets angled and straight out lets and inlet.

The materials and technical solutions are the same of IP66/67 version:

- High performance materials, high resistance against the impacts, the heating, chemicals and atmospheric agents.
- Crimp (mantle) terminals
- Metric screws and metal inserts for the body-handle assembling.
- Low insertion and withdrawal forces to make easy plug in and plug out operations thanks to the new contact tubes and pins.

All clock hour positions are available:



Poles	Hz	Volt	Colour	h.	PLUG	SOCKET
					63A	63A
2P+E	50/60	100-130	yellow	4	213.6330	313.6340
	50/60	200-250	blue	6	213.6333	313.6343
	50/60	380-415	red	9	213.6338	313.6348
	50/60	480-500	grey	7	213.63336	313.63436
	50/60	trasf.	grey	12	213.63333	313.63433
	>300-500	>50	green	2	213.63332	313.63432
	c.c.	>50-250	grey	3	213.63334	313.63434
	c.c.	>250	grey	8	213.63338	313.63438
3P+E	50/60	100-130	yellow	4	213.6331	313.6341
	50/60	200-250	blue	9	213.6334	313.6344
	50/60	380-415	red	6	213.6336	313.6346
	60	440-460	red	11	213.63365	313.63465
	50/60	480-500	grey	7	213.63366	313.63466
	50/60	600-690	black	5	213.63367	313.63467
	50...60	380...440	red	3	213.63364	313.63464
	100-300	>50	green	10	213.63361	313.63461
	>300-500	>50	green	2	213.63362	313.63462
3P+N+E	50/60	100-130	yellow	4	213.6332	313.6342
	50/60	208-250	blue	9	213.6335	313.6345
	50/60	346-415	red	6	213.6337	313.6347
	50/60	480-500	grey	7	213.63376	313.63476
	50/60	600-690	black	5	213.63377	313.63477
	60	440-460	red	11	213.63375	313.63475
	50...60	380...440	red	3	213.63374	313.63474
	>300-500	>50	green	2	213.63372	313.63472



Poles	Hz	Volt	Colour	h.	INLET	FLUSH MOUNTING SOCKET	
					63A	ANGLED 63A	STRAIGHT 63A
2P+E	50/60	100-130	yellow	4	243.6390	413.6360	423.6360
	50/60	200-250	blue	6	243.6393	413.6363	423.6363
	50/60	380-415	red	9	243.6398	413.6368	423.6368
	50/60	480-500	grey	7	243.63936	413.63636	423.63636
	50/60	trasf.	grey	12	243.63933	413.63633	423.63633
	>300-500	>50	green	2	243.63932	413.63632	423.63632
	c.c.	>50-250	grey	3	243.63934	413.63634	423.63634
	c.c.	>250	grey	8	243.63938	413.63638	423.63638
3P+E	50/60	100-130	yellow	4	243.6391	413.6361	423.6361
	50/60	200-250	blue	9	243.6394	413.6364	423.6364
	50/60	380-415	red	6	243.6396	413.6366	423.6366
	60	440-460	red	11	243.63965	413.63665	423.63665
	50/60	480-500	grey	7	243.63966	413.63666	423.63666
	50/60	600-690	black	5	243.63967	413.63667	423.63667
	50...60	380...440	red	3	243.63964	413.63664	423.63664
	100-300	>50	green	10	243.63961	413.63661	423.63661
>300-500	>50	green	2	243.63962	413.63662	423.63662	
3P+N+E	50/60	100-130	yellow	4	243.6392	413.6362	423.6362
	50/60	208-250	blue	9	243.6395	413.6365	423.6365
	50/60	346-415	red	6	243.6397	413.6367	423.6367
	50/60	480-500	grey	7	243.63976	413.63676	423.63676
	50/60	600-690	black	5	243.63977	413.63677	423.63677
	60	440-460	red	11	243.63975	413.63675	423.63675
	50...60	380...440	red	3	243.63974	413.63674	423.63674
	>300-500	>50	green	2	243.63972	413.63672	423.63672



## OPTIMA Series

Plugs and sockets 16A and 32A IP44 and IP67 – 7 poles (6P+E)

From February 2015 is available a new range of plugs and sockets 16 and 32A IP44 and IP67. The range includes plugs and connectors, panel and surface mounting sockets and inlets.

The main applications are for industry, agriculture and commerce:

- Star delta connections (motor)
- Tapped winding connections (pole changing)
- Actuation
- Controlling
- Indicating
- Electrical interlocks

Available in 6h hour position only:



### ■ IP44

Catalogue number	Description
213.1637-7	Plugs 16A 6P+E 6h 400V
213.3237-7	Plugs 32A 6P+E 6h 400V
243.1697-7	Panel mounting inlet 16A 6P+E 6h 400V
243.3297-7	Panel mounting inlet 32A 6P+E 6h 400V
240.1697-7	Surface mounting inlet 16A 6P+E 6h 400V
240.3297-7	Surface mounting inlet 32A 6P+E 6h 400V
313.1647-7	Connector 16A 6P+E 6h 400V
313.3247-7	Connector 32A 6P+E 6h 400V
413.1667-7	Panel mounting straight outlet 16A 6P+E 6h 400V
413.3267-7	Panel mounting straight outlet 32A 6P+E 6h 400V
512.1657-7	Surface mounting outlet 16A 6P+E 6h 400V
512.3257-7	Surface mounting outlet 32A 6P+E 6h 400V

### ■ IP67

Catalogue number	Description
218.1637-7	Plugs 16A 6P+E 6h 400V
218.3237-7	Plugs 32A 6P+E 6h 400V
248.1697-7	Panel mounting inlet 16A 6P+E 6h 400V
248.3297-7	Panel mounting inlet 32A 6P+E 6h 400V
245.1697-7	Surface mounting inlet 16A 6P+E 6h 400V
245.3297-7	Surface mounting inlet 32A 6P+E 6h 400V
318.1647-7	Connector 16A 6P+E 6h 400V
318.3247-7	Connector 32A 6P+E 6h 400V
418.1667-7	Panel mounting straight outlet 16A 6P+E 6h 400V
418.3267-7	Panel mounting straight outlet 32A 6P+E 6h 400V
517.1657-7	Surface mounting outlet 16A 6P+E 6h 400V
517.3257-7	Surface mounting outlet 32A 6P+E 6h 400V



## EUREKA-HD Series

Double listed plugs and connectors 60/63A - 100/125A, receptacles and inlets all amperages IP44 (splashproof) and IP67 (watertight)



From March 2015 new range of products of UL ratings EUREKA-HD Series will be available. This range is referred to Pin & sleeve plugs and connectors with dual rating. These products are UL 1682 listed and CSA certified to #182.1 for North American market (series II) In addition they are CE listed in according to IEC60309 for European and international markets (series I). The plugs and connectors dual rated configurations are available in 16/20A and 32/30A rated current, 3 poles/4 Wires and 4 poles/5 wires polarity and splashproof/IP44 and watertight/IP67 protection. These items are added to plugs and connectors 16/20 and 30/32A already available and include plugs and connectors 60/63A and 100/215A, receptacles and inlets all amperages. They are particularly suitable for the data centre and server industry markets, but given that they are dual rated for both North American and international standards, customers can use the same products for multiple electrical configurations for worldwide exportation.

Below the part numbers of the range:

PLUGS	Poles & Wires	Series I Current (north America)	Series II Current (International)	Clock Position	Voltage	IP (Cap Style)
SCM460P6W	3P,4W	60A	63A	6h	380V to 415V	IP67 (watertight)
SCM560P6W	4P, 5W	60A	63A	6h	200/346V to 240/415V	IP67 (watertight)
SCM4100P6W	3P,4W	100A	125A	6h	380V to 415V	IP67 (watertight)
SCM5100P6W	4P, 5W	100A	125A	6h	200/346V to 240/415V	IP67 (watertight)

CONNECTORS	Poles & Wires	Series I Current (north America)	Series II Current (International)	Clock Position	Voltage	IP (Cap Style)
SCM460C6W	3P, 4W	60A	63A	6h	380V to 415V	IP67 (watertight)
SCM560C6W	4P, 5W	60A	63A	6h	200/346V to 240/415V	IP67 (watertight)
SCM4100C6W	3P, 4W	100A	125A	6h	380V to 415V	IP67 (watertight)
SCM5100C6W	4P, 5W	100A	125A	6h	200/346V to 240/415V	IP67 (watertight)

RECEPTACLES	Poles & Wires	Series I Current (north America)	Series II Current (International)	Clock Position	Voltage	IP (Cap Style)
SCM420R6W	3P, 4W	20A	16A	6h	380V to 415V	IP67 (watertight)
SCM520R6W	4P, 5W	20A	16A	6h	200/346V to 240/415V	IP67 (watertight)
SCM420R6S	3P, 4W	20A	16A	6h	380V to 415V	IP44 (splashproof)
SCM520R6S	4P, 5W	20A	16A	6h	200/346V to 240/415V	IP44 (splashproof)
SCM430R6W	3P, 4W	30A	32A	6h	380V to 415V	IP67 (watertight)
SCM530R6W	4P, 5W	30A	32A	6h	200/346V to 240/415V	IP67 (watertight)
SCM430R6S	3P, 4W	30A	32A	6h	380V to 415V	IP44 (splashproof)
SCM530R6S	4P, 5W	30A	32A	6h	200/346V to 240/415V	IP44 (splashproof)
SCM460R6W	3P, 4W	60A	63A	6h	380V to 415V	IP67 (watertight)
SCM560R6W	4P, 5W	60A	63A	6h	200/346V to 240/415V	IP67 (watertight)
SCM4100R6W	3P, 4W	100A	125A	6h	380V to 415V	IP67 (watertight)
SCM5100R6W	4P, 5W	100A	125A	6h	200/346V to 240/415V	IP67 (watertight)

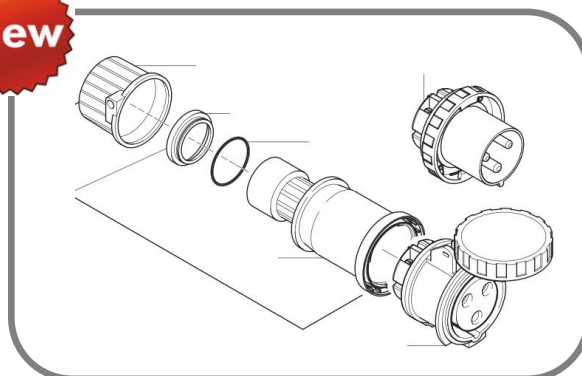


INLETS	Poles & Wires	Series I Current (north America)	Series II Current (International)	Clock Position	Voltage	IP (Cap Style)
<b>SCM420B6W</b>	3P, 4W	20A	16A	6h	380V to 415V	IP67 (watertight)
<b>SCM520B6W</b>	4P, 5W	20A	16A	6h	200/346V to 240/415V	IP67 (watertight)
<b>SCM420B6S</b>	3P, 4W	20A	16A	6h	380V to 415V	IP44 (splashproof)
<b>SCM520B6S</b>	4P, 5W	20A	16A	6h	200/346V to 240/415V	IP44 (splashproof)
<b>SCM430B6W</b>	3P, 4W	30A	32A	6h	380V to 415V	IP67 (watertight)
<b>SCM530B6W</b>	4P, 5W	30A	32A	6h	200/346V to 240/415V	IP67 (watertight)
<b>SCM430B6S</b>	3P, 4W	30A	32A	6h	380V to 415V	IP44 (splashproof)
<b>SCM530B6S</b>	4P, 5W	30A	32A	6h	200/346V to 240/415V	IP44 (splashproof)
<b>SCM460B6W</b>	3P, 4W	60A	63A	6h	380V to 415V	IP67 (watertight)
<b>SCM560B6W</b>	4P, 5W	60A	63A	6h	200/346V to 240/415V	IP67 (watertight)
<b>SCM4100B6W</b>	3P, 4W	100A	125A	6h	380V to 415V	IP67 (watertight)
<b>SCM5100B6W</b>	4P, 5W	100A	125A	6h	200/346V to 240/415V	IP67 (watertight)

## EUREKA-HD Series

Liquid tight adapter kit for flexible metal conduit

This adapter is intended for connection of liquid tight metal conduit and strain relief accessories to EUREKA-HD plugs and connectors.



Catalogue number	Rated Current	Poles	Thread
<b>SCMSAA12</b>	20A	3-4 wire	½" NPT
<b>SCMSAB12</b>	20A	5 wire	½" NPT
<b>SCMSAB34</b>	30A	3-4 wire	¾" NPT
<b>SCMSAC34</b>	30A	5 wire	¾" NPT
<b>SCMSAC100</b>	30A	5 wire	1" NPT
<b>SCMSAC125</b>	60A	all	1¼" NPT
<b>SCMSAD125</b>	100A	all	1¼" NPT