



## TO SCAME CLIENTS

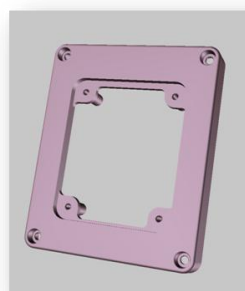
### List of new available products

(Refer to Commercial Dept for item codes and prices)

#### DOMOPLUS Series

- Panel mounting adaptor for DOMOPLUS sockets

This accessory makes possible the panel and smooth wall mounting of the Domoplus sockets.  
Using it together with the lid for GRP base, it is possible to make mixed industrial and domestic configuration with GRP series.



Code	Description	Pack Qty.
570.6011	Panel mounting adaptor for DOMOPLUS sockets	1/5

#### ADVANCE-GRP Series

- Blank plate for GRP System base

This blank plate has been made in order to make possible the closing of the empty bases and mounting accessories such as push buttons, lever selectors, pilot lamps, ecc.. and DOMOPLUS sockets, for which knockout is marked on the inner part. In that case It is also necessary to use the panel mounting adaptor for Domoplus sockets.



Code	Description	Pack Qty.
579.5001	Blank plate for GRP System base 16A-32A	1/10



## Adaptor for 75x75 flange

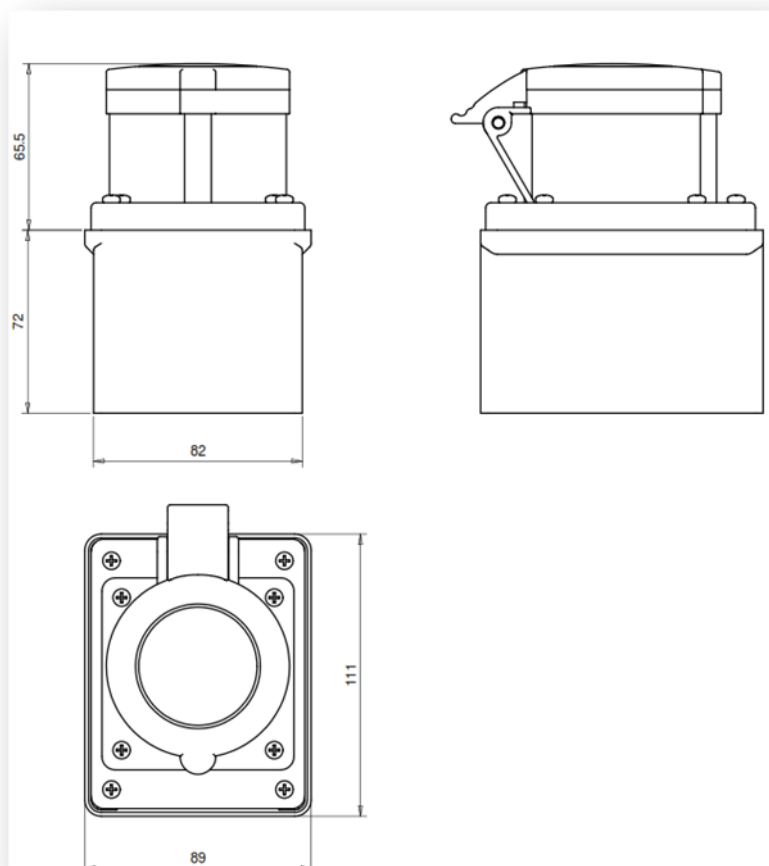
This accessory allows to adapt the flush mounting sockets and inlets with 75x75 flange (included the Reverse version) to the surface mounting boxes fam 570 with knockout hole 84x106 (32A) straight and angled outlet

- It can be used on the Block, Domino and Mbox enclosures with 84x106 knockout.
- IP degree IP67

**New**



Code	Description	Pack Qty.
654.0108	Adaptor for 75x75 flange on 84x106	5/50





## ISOLATORS Series

- Flush mounting versions 40A

Isolators series 40A rating has been added to completion flush mounting version



Code	Type	Description	Pack Qty.
590.ER4002	Emergency switching	40A - 2 poles	1/12
590.ER4003	Emergency switching	40A - 3 poles	1/12
590.ER4004	Emergency switching	40A - 4 poles	1/12
590.GR4002	General use	40A - 2 poles	1/12
590.GR4003	General use	40A - 3 poles	1/12
590.GR4004	General use	40A - 4 poles	1/12