



TO SCAME CLIENTS

List of new available products

(Refer to Commercial Dept for item codes and prices)

ISOLATORS Series

- Isolators 6-8 poles category AC23 400V
- Isolators for photovoltaic installation 800V



■ ISOLATORS 6-8 POLES:

Poles	Current	ENGINEERING PLASTIC ENCLOSURE				METAL ENCLOSURE			
		Emergency switching	General use	Emergency switching	General use	Emergency switching	General use	Emergency switching	General use
6	16A	590.EM1606	590.GE1606	590.HEM1606	590.HGE1606				
	25A	590.EM2506	590.GE2506	590.HEM2506	590.HGE2506				
	32A	590.EM3206	590.GE3206	590.HEM3206	590.HGE3206				
	40A	590.EM4006	590.GE4006	590.HEM4006	590.HGE4006				
	63A			590.HEM6306	590.HGE6306				
	80A			590.HEM8006	590.HGE8006				
	100A			590.HEM10006	590.HGE10006				
	125A			590.HEM12506	590.HGE12506				
	160A			590.HEM16006	590.HGE16006				
	8	16A	590.EM1608	590.GE1608	590.HEM1608	590.HGE1608			
25A		590.EM2508	590.GE2508	590.HEM2508	590.HGE2508				
32A		590.EM3208	590.GE3208	590.HEM3208	590.HGE3208				
40A		590.EM4008	590.GE4008	590.HEM4008	590.HGE4008				
63A				590.HEM6308	590.HGE6308				
80A				590.HEM8008	590.HGE8008				
100A				590.HEM10008	590.HGE10008				
125A				590.HEM12508	590.HGE12508				
160A				590.HEM16008	590.HGE16008				



ISOLATORS FOR PHOTOVOLTAIC INSTLLATION 800V:

Isolators for photovoltaic installation rated voltage up to 800 V, rated current up to 40 A category DC21B.



**ENGINEERING
PLASTIC ENCLOSURE**

Dimensions (mm)	Poles in series	300V	400V	450V	500V	600V	800V	General use
								■
150x105x97.3	4	32A		16A		10A		590.DCGE0416
150x105x127	3				25A	15A	10A	590.DCGE0810
	4				30A	20A	15A	590.DCGE0815
	5				35A	25A	20A	590.DCGE0820
210x155x122.3	6					40A	25A	590.DCGE0825*
	8		60A		45A		30A	590.DCGE0830*
308x228x173	8		80A		65A	60A	40A	590.DCGE0840**

ISOLATORS-HD Series

- Industrial range for Isolators (non ATEX certification) 16A-32A with plastic enclosure as per ATEX products





COMMAND Series and ISOLATORS Series







- Isolators serie - 3P+N early make and late break neutral pole



■ COMMAND Series

	TYPE R (front panel)	TYPE B (box)	TIPO B (box)+FUSE
16A	590.YA165R	590.YA165B	590.YF165B
32A	590.YA325R	590.YA325B	590.YF325B
40A	590.YA405R	590.YA405B	
63A	590.YA635R	590.YA635B	
80A	590.YA805R	590.YA805B	

■ ISOLATORS Series

	ENGINEERING PLASTIC ENCLOSURE (FLUSH MOUNTING)		ENGINEERING PLASTIC ENCLOSURE (SURFACE MOUNTING)		METAL ENCLOSURE (SURFACE MOUNTING)	
	Emergency switching 	General use 	Emergency switching 	General use 	Emergency switching 	General use 
20A	590.ER2005	590.GR2005	590.EM2005	590.GE2005	-	-
20A*			590.EM2015	590.GE2015	590.HEM2005	590.HGE2005
32A	590.ER3205	590.GR3205	590.EM3205	590.GE3205	-	-
32A*			590.EM3215	590.GE3215	590.HEM3205	590.HGE3205
40A			590.EM4005	590.GE4005	-	-
40A*			590.EM4015	590.GE4015	590.HEM4005	590.HGE4005
63A			590.EM6305	590.GE6305	590.HEM6305	590.HGE6305
80A			590.EM8005	590.GE8005	590.HEM8005	590.HGE8005

* Enclosure with small dimensions



OPTIMA Series

- New plug and connector 63A - 125A with cage terminal
- New cage terminal (63A-125A)
- Metal inserts for fixing the handle (metric thread)
- New technopolimeric material for handle, contact carrier with high resistant against chemicals, impact .
- EASYPLUG technology, new socket bushings for a smooth insertion and withdrawal of the plug



ACCESSORIES

- Panel mounting socket auxiliary contact

It's an accessory detecting the insertion of the plug.



■ TECHNICAL CHARACTERISTICS

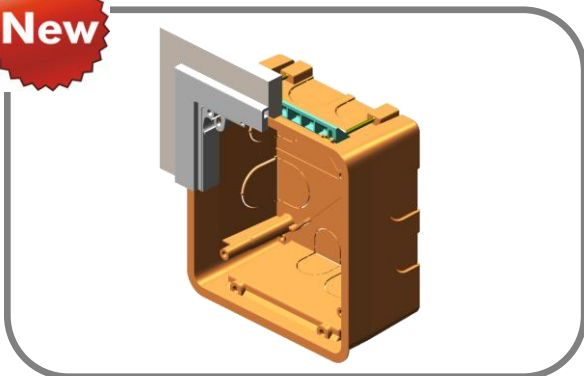
- Auxiliary contact to mount as an accessory on panel mounting socket 16A,32A,63A,125A OPTIMA Series (It detects the plug presence)
- Auxiliary contact NO/NC
- Rated current: 10A 230V Resistive load.
 6A 400V Resistive load.

OPTIMA SERIES SOCKET	NO	NC
16A e 32A	654.0391	654.0392
63A 125A	654.0393	654.0394



OMNIA Series

- Back boxes for plasterboard walls



CODE	DESCRIPRION	PACK QTY.
572.0205	Back boxes for OMNIA socket for plasterboard walls	6

EUREKA-HD Series – pin & sleeve

- New versions 32A 3p+E 3h, UL listed & Classified



CODE	DESCRIPTION
SCM432P3W	Plug 3P+E 3h 32A
SCM432C3W	Connector 3P+E 3h 32A

ADVANCE-GRP Series Ex

- Junction Box Kit for ADVANCE- GRP 63A

New accessory for a better and easy wiring of ADVANCE GRP 63A



CODE	DESCRIPTION
579.EX0201	Kit Junction Box (63A) M50 - Ex



DOMINO Series-IP66

• New enclosure 24 modules



CODE	DESCRIPTION	PACK QTY.
672.5122	Blank Front Panel	1



CODE	DESCRIPTION	PACK QTY.
672.5522	Panel with 4 Omnia 16-32A + 1 Omnia 63A	1



CODE	DESCRIPTION	PACK QTY.
672.5622	Panel with 4 Omnia 16-32A +2 sockets 16A (flange 70x87)	1



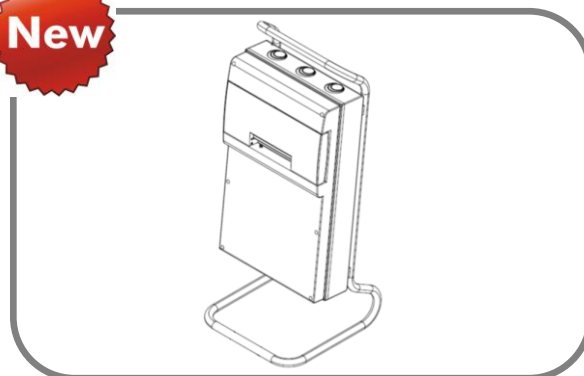
CODE	DESCRIPTION	PACK QTY.
672.5822	Panel with 8 sockets 16A (flange 70x87)	1



DOMINO Series

- New Support for DOMINO M550

New support in zinc plated conduit for DOMINO



CODE	DESCRIPTION	PACK QTY.
654.0615	Support for DOMINO M550	1

CUBIK Series

- Junction box GW 960°C

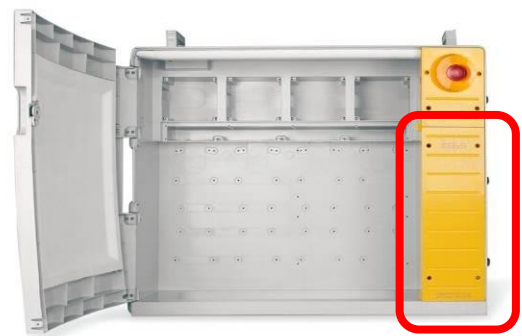


CODE	DESCRIPTION	PACK QTY.
688.206.R	Red Junction Boxes 150x110 without cable gland . IP55 CUBIK	1/48



MBOX Series

- Spare part for MBOX (window and front panel)



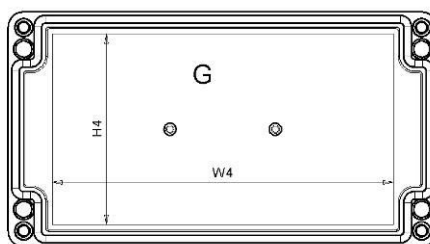
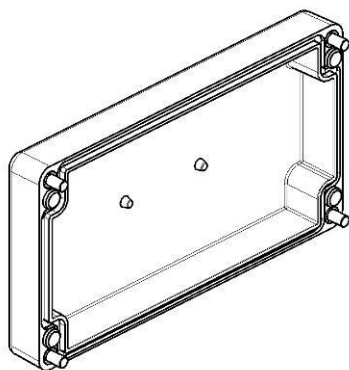
CODE	DESCRIPTION	PACK QTY.
656.0012	Kit window MBOX2	1
657.0014	Kit window MBOX3	1
658.0016	Kit window MBOX5	1
658.0369	Kit cover MBOX5	1



ZENITH EX Series zone1

- ATEX Certification for Zenith enclosures (Zone 1)

New ATEX certifications available, for Control Station and new size range that bring all the markets demands. Also available now new certifications in order to use ATEX instruments as ammeters and voltmeters and digital tools, is also available square hole on empty enclosure.



Enclosure size (H x W x D)	Maximum drilling area G (H4 x W4)	Maximum SQUARE holes		
		Maximum number	Maximum Size	Minimum distance between two holes b - (mm) – Fig.8
120x122x90	102 x 80	1	57x53mm	60
120x220x90	102 x 179	2	57x53mm	60
160x160x90	140 x 110	1	118x95mm	60
160x260x90	140 x 210	1	118x95mm	60
160x360x90	140 x 310	2	118x95mm	60
160x560x90	140 x 510	3	118x95mm	70
250x255x120	230 x 205	1	118x95mm	60
250x400x120	230 x 350	2	118x95mm	75
405x400x165	385 x 350	4	118x95mm	75



DOMO Series

- German standard with shutter

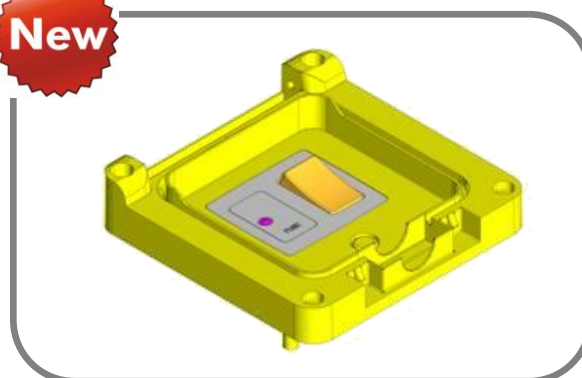


CODE	DESCRIPTION	PACK QTY.
570.2062	German standard socket with shutter - flush mounting 50x60	10/100
570.4062	German standard socket with shutter - flush mounting 70x87	10/100
570.4162	German standard socket with shutter - surface mounting - PG	9/90
570.M4162	German standard socket with shutter - surface mounting - METRIC	9/90

PROTECTA Series

- Spur unit

13A spur unit with fuse and switch flush mounting and surface mounting.



CODE	DESCRIPTION	PACK QTY.
137.3410	13A spur unit with fuse and switch – flush mounting.	1/12
137.5410	13A spur unit with fuse and switch – surface mounting.	1/12



NEXTA Series

- 4 Pin ceiling rose



CODE	DESCRIPTION	PACK QTY.
108.1001.W	4 pin ceiling rose - WHITE	10/100
108.1001.I	4 pin ceiling rose - IVORY	10/100
108.1001.R	4 pin ceiling rose - RED	10/100

INNOVA Series

The INNOVA Series is becoming more flexible with the arrival of the following products in both white and ivory color:

- One way switches and two way switches mega rocker, to give the possibility to select the size preferred
- Version with 6 switches in a double plate for maximum usability in a small space

Further INNOVA Series adds U.S. standard socket single and double and also with switch in ivory color.



■ 4 GANG VERSION – MEGA ROCKER

CODE	DESCRIPTION	PACK QTY.
103.6041	10AX SWITCH 4 GANG ONE-WAY S.P. - WHITE	10/100
103.6041.V	10AX SWITCH 4 GANG ONE-WAY S.P. - IVORY	10/100
103.6042	20AX SWITCH 4 GANG ONE-WAY S.P. - WHITE	10/100
103.6042.V	20AX SWITCH 4 GANG ONE-WAY S.P. - IVORY	10/100
103.6241	10AX SWITCH 4 GANG TWO-WAY S.P. - WHITE	10/100
103.6241.V	10AX SWITCH 4 GANG TWO-WAY S.P. - IVORY	10/100
103.6242	20AX SWITCH 4 GANG TWO-WAY S.P. - WHITE	10/100
103.6242.V	20AX SWITCH 4 GANG TWO-WAY S.P. - IVORY	10/100



■ 6 GANG VERSION

CODE	DESCRIPTION	PACK QTY.
103.3261	10AX SWITCH 6 GANG TWO-WAY S.P. - WHITE	10/100
103.3261.V	10AX SWITCH 6 GANG TWO-WAY S.P. - IVORY	10/100
103.3262	20AX SWITCH 6 GANG TWO-WAY S.P. - WHITE	10/100
103.3262.V	20AX SWITCH 6 GANG TWO-WAY S.P. - IVORY	10/100

■ AMERICAN STANDARD - IVORY

CODE	DESCRIPTION	PACK QTY.
103.425.V	15A AMERICAN UNSWITCHED SOCKET - 1 GANG	20/200
103.426.V	15A DOUBLE AMERICAN UNSWITCHED SOCKET - 1 GANG	20/200
103.427.V	15A AMERICAN SOCKET WITH EARTH + 10AX SP 1W SWITCH - 1 GANG	20/200

LUXURY Series

Luxury series adds a new product, 10 Ampere 3 Pole fan isolator switch for domestic applications



LIBERA Series

• New catalogue LIBERA Series

Available new catalogue in French and Italian version.

