



TO ALL OUR CUSTOMERS

NEW

1. ADVANCE GRP SERIES 125A WALL-MOUNTED SOCKETS WITH MECHANICAL OR ELECTRIC LOCKING SWITCH

The SCAME product line of wall-mounted sockets with mechanical or electric interlock has been enhanced with the introduction of the new ADVANCE GRP Series. This series of industrial sockets with mechanical or electric locking switch has been designed for demanding use as well as for applications in **Ex Zone 22** environments, places with a potentially explosive atmosphere due to the presence of combustible dust (D), which fall under the area of application of **ATEX 94/9/EC**.

Main technical features

- Rated current: 125A
- Operating voltage: 100÷690V~
- Degree of protection: IP66
- Operating temperature according to the reference standard: -25°C+40°C
- Maximum operating temperature: 60°C
- Flame-retardancy GW test: 850°C/960°C
- UL94 Flame-retardancy: V0
- Material: Thermoset material (GRP = *Glass Reinforced Polyester*)
- IK Degree at 20°C: IK10
- Cable entry: from top and bottom
- Colour: Grey RAL7037

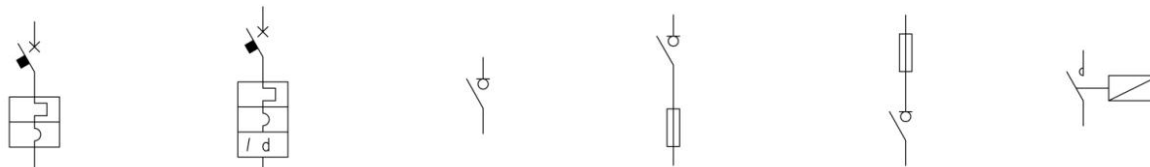


EX Classification

- ATEX Code: Ex II 3D
- Type of protection: EX tD A22 IP66 T90°C
- Maximum permissible surface temperature: T90°C
- Degree of protection for sockets with locking device: IP66
- Impact resistance: 7J

Available versions

The product range includes locked sockets with and without protections:

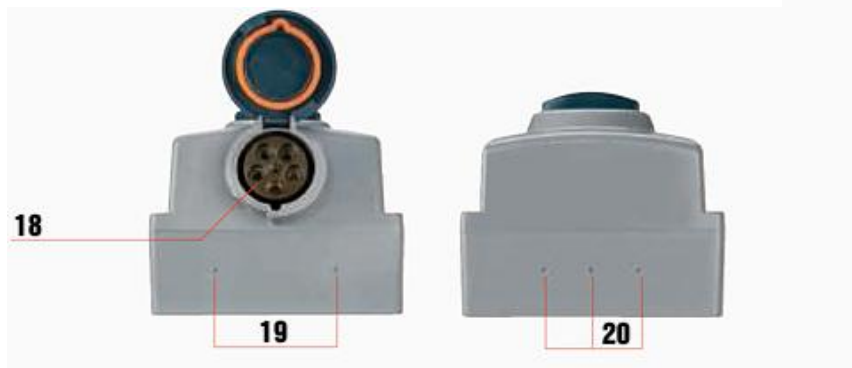
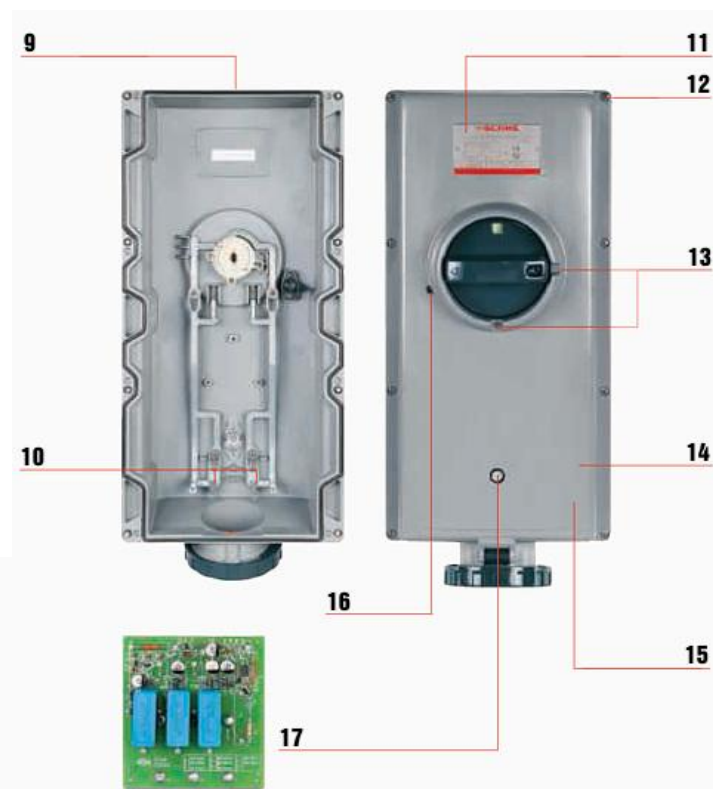


- With automatic circuit breaker and thermomagnetic release
- With switch-disconnector
- With fuses and switch-disconnector
- With automatic circuit breaker, thermomagnetic release and residual-current release
- With switch-disconnector and fuses
- With contactor (electric lock)



Benefits

- 1 – Ample space for convenient wiring
- 2 – Switch-disconnector with mechanical lock that can be accessorized with auxiliary contacts
- 3 – Punched marks for easy closing of the cover
- 4 – External wall fastening
- 5 – Under-plate cable runway
- 6 – Threaded metal inserts
- 7 – Easily extractable bottom plate
- 8 – Possibility for microswitch assembly
- 9 – Unlosable single-piece gasket
- 10 – Double mechanical lock and metal linkages
- 11 – Rating on metal plate
- 12 – Unlosable stainless steel clamping screws
- 13 – Knob can be locked in position 0 and 1
- 14 – Material with high mechanical, UV and chemical resistance
- 15 – Cover can be completely separated from the base for convenient installation
- 16 – Residual-current release test button
- 17 – An electronic device controls the state of the interlocked socket, monitoring its electrical functionality
- 18 – Module in high-temperature, glass-fibre filled engineering polymer
- 19 – Possibility for entrance from bottom (also entry-exit)
- 20 – Self-centering punched marks for easy drilling



Please contact the SCAME offices for documentation, catalogue numbers, availability and prices.



NEW

2. OPTIMA-EX SERIES INDUSTRIAL PLUGS


To complement the ADVANCE GRP Series 125A, the respective 125A plugs are also introduced.



Main technical features

- Rated current: 125A
- Operating voltage: 100-690V~
- Degree of protection: IP66/IP67
- Operating temperature according to the reference standard: -25°C+40°C
- Maximum operating temperature: 60°C
- Flame-retardancy GW test: 850°C
- IK Degree at 20°C: IK10

EX Classification

- ATEX Code:  II 3D
- Type of protection: EX tD A22 IP66/IP67 T90°C
- Maximum permissible surface temperature: T90°C
- Degree of protection for mobile plugs: IP66/IP67
- Impact resistance: 7J

Please contact the SCAME offices for documentation, catalogue numbers, availability and prices.



NEW

3. BRANCH BOXES IN ALUMINIUM ALLOY FOR ZONE 2 AND ZONE 22


The SCAME product line of branch boxes in aluminium alloy has been expanded with the new EXna series of non-sparking enclosures (Alubox series) which can be used for fixed installations in environments with a potential risk of explosion identified as zone 2 and zone 22 according to standards EN 61241-0 and EN 60079-0.



Main technical features

- Degree of protection: IP66
- Operating temperature according to the reference standard: -25°C+60°C
- Material: Aluminium alloy
- Cable entry: Smooth walls
- IK Degree at 20°C: IK08
- DIN guide fastening: Yes
- Colour: RAL 7037

EX Classification

- ATEX Code:  II 3GD
- Type of protection: Ex nA II
Ex tD A22 IP66 T90°C U
- Maximum permissible surface temperature: T90°C
- Impact resistance: Low mechanical risk (4J)
- EC Type Certification: SCAME ATEX 01U



The following new catalogue numbers have thus been created.



Dimensions (mm)		Cover fastening screws	Earthing screws	Weight (kg)	PACKAGE BULK PACK	
100x100x59		No.2 M5x10mm	No.1 M4x6	0.290	1/32	653.9000
140x115x60		No.4 M5x16mm	No.1 M4x6	0.390	1/24	653.9001
166x142x64		No.4 M5x16mm	No.1 M4x6	0.614	1/16	653.9002
192x168x80		No.4 M5x16mm	No.1 M4x6	0.920	1/12	653.9003
253x217x93		No.4 M6x20mm	No.1 M4x6	1.430	1/6	653.9004
314x264x122		No.4 M6x20mm	No.1 M4x6	2.236	1/2	653.9005
410x315x153		No.4 M6x20mm	No.1 M4x6	3.861	1	653.9007

= Countersunk head
 = Flat head

The bottom plate and DIN guide Kit are available for all versions.

Please contact the SCAME offices for documentation, availability and prices.

NEW 4. 5A - 250V SWITCHSOCKET (code 103.4015)



In addition to the 13A and 15A British standard switchsockets, the INNOVA range has now been expanded with the 5A version as well, which until now was only available unswitched. Compliant with the BS 546 Reference Standard, this switchsocket is already in stock and can be ordered immediately.



NEW

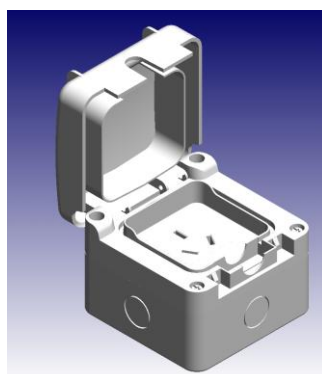
5. **EURO-AMERICAN UNSWITCHED SOCKET +10AX ONE WAY SWITCH (code 103.424)**



The family of Euro-American standard socket outlets is growing up! Beyond single and double unswitched sockets and the single switched version, now we also offer the single unswitched socket with independent 10AX switch rated for fluorescent lamps, all in the convenient 3x3 size. The unique feature of these socket outlets is the presence of the Earth contact to ensure additional safety, according to the NEMA WD6 5-15 standard.

NEW

6. **PROTECTA: 16A 2P+E CHINESE SOCKET OUTLET (code 137.4005 - 137.6005)**



The Protecta range is now also available with Chinese standard unswitched socket outlets, in M95 size (95x95 mm). In this case as well the IP66 index of protection is guaranteed even with angled plug inserted thanks to the pair of gaskets working as a cable sleeve. Both versions, for flush or surface mounting, are already in stock.