



TO ALL OUR CUSTOMERS

NEW

1. WALL SOCKETS FOR INDUSTRIAL USE – OPTIMA SERIES

SCAME has expanded its new OPTIMA Series of wall sockets for industrial use.

These 16A and 32A wall sockets are available in the BASE, TOP and COMBI versions.



BASE 16A-32A IP44



TOP 16A-32A IP44-IP66/IP67



COMBI 16A-32A IP44

The main technical features are:

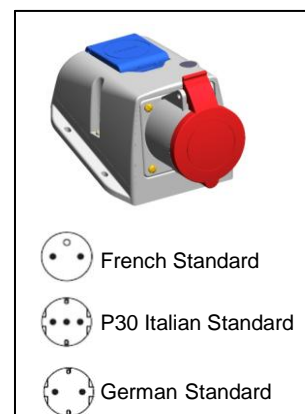
- Screw terminals for both the 16A and 32A, nickel-coated contacts;
- Exterior wall fastening;
- Standard cable sleeve for IP44 versions;
- Loop in loop out for TOP 3P+E and 3P+N+E versions;
- Reversible base for TOP versions;
- Solutions with SAFE-IN safety device for TOP versions;
- Stainless steel captive fastening screws;
- Integrated one-piece gasket (where applicable);
- Loop in loop out terminal board accessory for TOP versions;
- Halogen-free plastic materials;



BASE 16A-32A IP44



TOP 16A-32A IP44-IP66/IP67



-  French Standard
-  P30 Italian Standard
-  German Standard

COMBI 16A-32A IP44

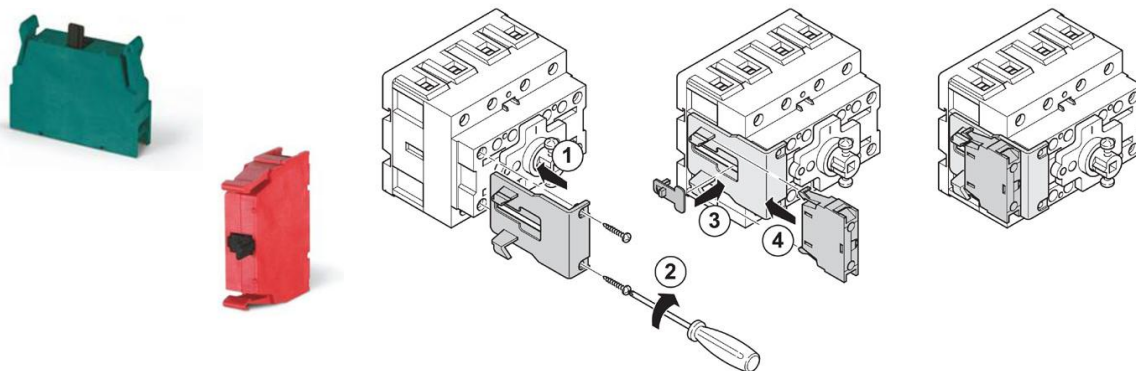
Please contact SCAME for documentation, item numbers, availability and prices.



NEW

2. AUXILIARY CONTACTS FOR 63A-80A-100A SWITCHES-DISCONNECTORS

SCAME has added new contacts for 63A-80A-100A switches-disconnectors to its line of auxiliary contacts for switches-disconnectors.



The following new items have been added to the catalogue:

DESCRIPTION	PACK QTY	ITEM NUMBER
NC contact – 16A for 63A-80A-100A switch – RED	10	590.PL004003
NO contact – 16A for 63A-80A-100A switch – GREEN	10	590.PL004004

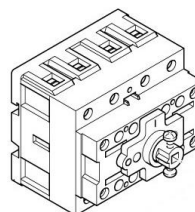
These products will allow all SCAME items using 63A-80A-100A switches-disconnectors to be equipped with auxiliary contacts.



OMNIA Series
63A



ADVANCE 2 Series
63A



COMMAND Series
63A-80A-100A



ISOLATORS Series
63A-80A



3. RINA CERTIFICATION FOR THE ADVANCE 2 HD SYSTEM

The ADVANCE 2 HD products achieved an important milestone in 2009: RINA certification.

RINA (Registro Italiano Navale ed Aeronautico – Italian Register of Ships and Aircraft) is a leading body for certifying equipment, fixtures and fittings and products for naval use.

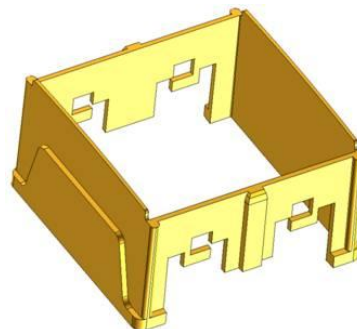
RINA has a long tradition of certifying equipment, fixtures and fittings and systems that guarantee reliability and safety at sea and also prevent marine pollution in accordance with its own vessel classification standards and national and international safety standards.



NEW

4. UNIBOX SERIES: ADAPTER FOR THE BASIC/8000 SERIES MULTISTANDARD SOCKET

This adapter is now included in all Unibox IP40 items for installing the 8000/Basic Series multistandard (item 102.8405) dual module socket, in addition to the single module adapters. A similar special adapter will also soon be included in all IP55 Unibox items.





NEW

5. INDUSTRIAL SOCKETS AND PLUGS FOR MILITARY USE

SCAME has expanded its line of industrial sockets and plugs with the EUREKA-MIL Series, which has been specifically designed for military use.



Movable Plugs



Movable Sockets



Fixed Plugs



Fixed Sockets



Adapters



Socket Panels

Based on the EUREKA-HD Series, this new series has been created with the same robustness and reliability criteria and is available in a military green colour version.

The main technical features are:

Versions:	16A, 32A, 63A, 125A
Protection rating:	IP66/IP67
Operating temperature:	-25°C / +40°C
Maximum temperature:	+70°C
Impact resistance:	IK10
Colour:	RAL 6031-F9

Please contact SCAME for information, documentation and availability.

OUT OF PRODUCTION

6. 180.58/ CEI TV PIPE PLUG

The pipe plug with screw-on cable stay, item number 180.58/CEI, is now out of production.

The approved version with snap-on cable stay, item number 180.058/CEI, can still be ordered from the catalogue.

