



TO ALL OUR CUSTOMERS

NEW

1. EMERGENCY PUSH BUTTON TOP22 SERIES

The TOP22 series of emergency push buttons has been extended with a mushroom head button version with \varnothing 60mm and \varnothing 90mm.



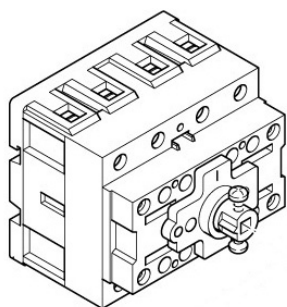
DESCRIPTION	FEATURES	PACKAGING	CATALOGUE NUMBER
Emergency push button IP65 – \varnothing 60mm	Release upon rotation	1/12	590.PR01R6N
Emergency push button IP66 – \varnothing 90mm	Momentary	1/12	590.PG1M9W01

Both products are supplied with an NC contact.

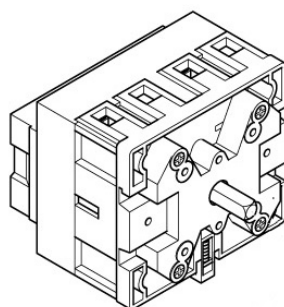
NEW

2. 100A SWITCH DISCONNECTORS COMMAND SERIES

The Command series of switch disconnectors has grown to include a 100A version with 3 and 4 poles for box or panel/backboard assembly.



“Type B” box



“Type R” panel

DESCRIPTION	FEATURES	PACKAGING	CATALOGUE NUMBER
“Type B” box switch	100A 3P	1/6	590.YA1003B
“Type R” panel switch	100A 3P	1/6	590.YA1003R
“Type B” box switch	100A 4P	1/6	590.YA1004B
“Type R” panel switch	100A 4P	1/6	590.YA1004R



The electrical characteristics of the switch disconnecter are:

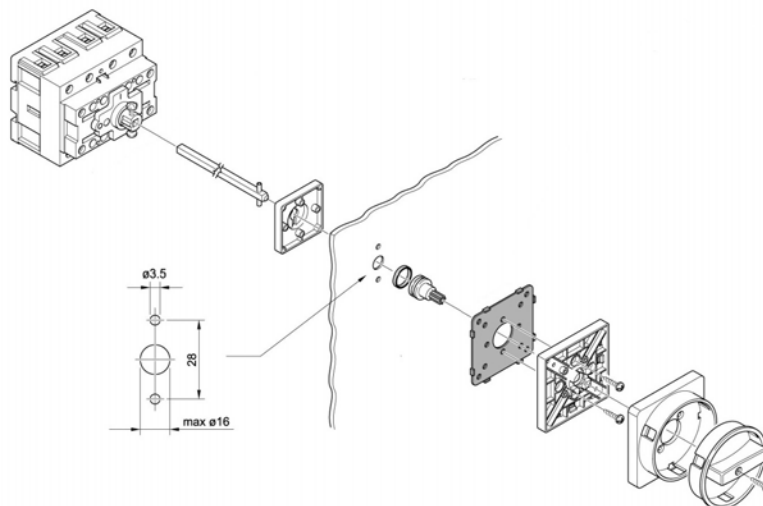
- Rated insulation voltage **Ui: 690 Vac**
- Rated impulse withstand voltage **Uimp: 8 kV**
- Rated thermal current **Ith: 100 A**
- Rated thermal current **Ithe: 86 A**
- Rated operational current **AC21A 690V 100 A**
- Rated operational current **AC22A 500V 100 A**
- Rated operational current **AC23A 500V 67 A**
- Rated operational current **AC3 500V 55 A**

The new switch disconnecter features the same accessories as the 63A and 80A versions, which are as follows:

- Front controls 67x67 mm with traditional and \varnothing 22mm assembly
- Extension bar/shaft to block the door
- Front controls 70x87 mm for adapting to SCAME casings
- Direct controls

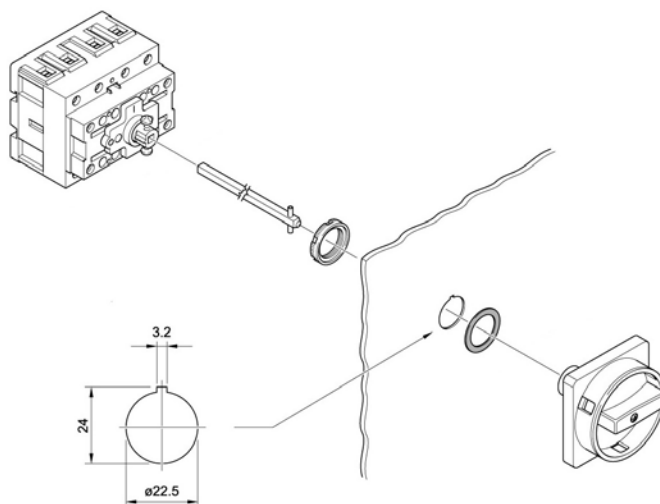


“Type B” box with front controls 67x67 mm with traditional assembly.

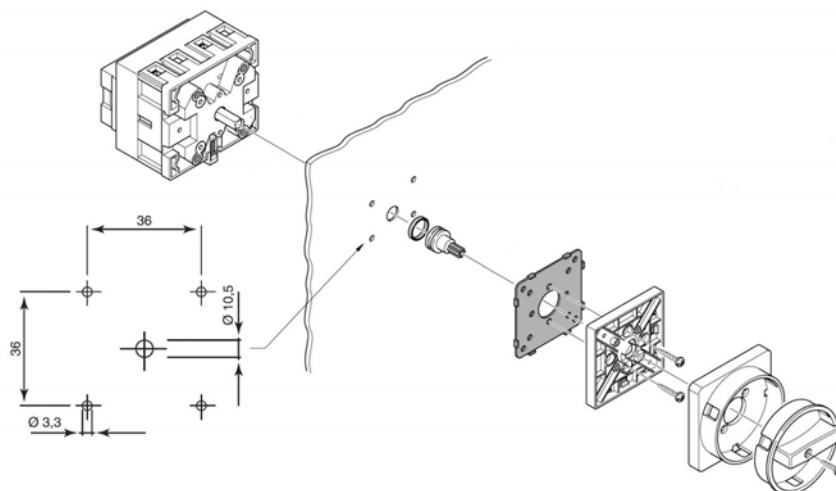




“Type B” box with front controls 67x67 mm with \varnothing 22mm assembly.



“Type R” panel/backboard with front controls 67x67 mm with traditional assembly.



**OUT OF
PRODUCTION**

3. SPECIAL INDUSTRIAL PLUGS AND SOCKETS EUREKA SERIES WITH 90° EXIT

The special industrial plugs and sockets with 90° exit in the EUREKA series have been removed from the catalogue and are discontinued. The h6 standard products, the 2P+T 16A h4 version and the 3P+T 32A IP67 h3 version (for container) are still in production.

The special EUREKA series products with axial exit are still in the catalogue and in stock.

The following item numbers are available until the stocks are exhausted:





EUREKA series

**Mobile plug
90° exit**

**IP44
fam. 221.**



**IP67
fam. 226.**



Poles	Hz	Volt	Colour	h.	16A	32A	16A	32A
					ITEM NUMBER	ITEM NUMBER	ITEM NUMBER	ITEM NUMBER
2P+E	50/60	380-415	red	9	221.1638	221.3238	226.1638	226.3238
	60	277	grey	5	221.16337	221.32337	226.16337	226.32337
	50/60	480-500	grey	7	221.16336	221.32336	226.16336	226.32336
	50/60	trasf.	grey	12	221.16333	221.32333	226.16333	226.32333
	>300-500	>50	green	2	221.16332	221.32332	226.16332	226.32332
	c.c.	>50-250	grey	3	221.16334	221.32334	226.16334	226.32334
	c.c.	>250	grey	8	221.16338	221.32338	226.16338	226.32338
3P+E	50/60	100-130	yellow	4	221.1631	221.3231	226.1631	226.3231
	50/60	200-250	blue	9	221.1634	221.3234	226.1634	226.3234
	60	440-460	red	11	221.16365	221.32365	226.16365	226.32365
	50/60	480-500	grey	7	221.16366	221.32366	226.16366	226.32366
	50/60	600-690	black	5	221.16367	221.32367	226.16367	226.32367
	50/60	trasf.	grey	12	221.16363	221.32363	226.16363	226.32363
	50...60	380...440	red	3	221.16364	221.32364	226.16364	
	100-300	>50	green	10	221.16361	221.32361	226.16361	226.32361
>300-500	>50	green	2	221.16362	221.32362	226.16362	226.32362	
3P+N+E	50/60	100-130	yellow	4	221.1632	221.3232	226.1632	226.3232
	50/60	208-250	blue	9	221.1635	221.3235	226.1635	226.3235
	50/60	480-500	grey	7	221.16376	221.32376	226.16376	226.32376
	50/60	600-690	black	5	221.16377	221.32377	226.16377	226.32377
	60	440-460	red	11	221.16375	221.32375	226.16375	226.32375
	50...60	380...440	red	3	221.16374	221.32374	226.16374	226.32374
	>300-500	>50	green	2	221.16372	221.32372	226.16372	226.32372



TABLE 2
EUREKA series

Movable plug
90° exit

IP44
fam. **321.**



IP67
fam. **326.**



Poles	Hz	Volt	Colour	h.	16A	32A	16A	32A
					ITEM NUMBER	ITEM NUMBER	ITEM NUMBER	ITEM NUMBER
2P+E	50/60	380-415	red	9	321.1648	321.3248	326.1648	326.3248
	60	277	grey	5	321.16437	321.32437	326.16437	326.32437
	50/60	480-500	grey	7	321.16436	321.32436	326.16436	326.32436
	50/60	trasf.	grey	12	321.16433	321.32433	326.16433	326.32433
	>300-500	>50	green	2	321.16432	321.32432	326.16432	326.32432
	c.c.	>50-250	grey	3	321.16434	321.32434	326.16434	326.32434
	c.c.	>250	grey	8	321.16438	321.32438	326.16438	326.32438
3P+E	50/60	100-130	yellow	4	321.1641	321.3241	326.1641	326.3241
	50/60	200-250	blue	9	321.1644	321.3244	326.1644	326.3244
	60	440-460	red	11	321.16465	321.32465	326.16465	326.32465
	50/60	480-500	grey	7	321.16466	321.32466	326.16466	326.32466
	50/60	600-690	black	5	321.16467	321.32467	326.16467	326.32467
	50/60	trasf.	grey	12	321.16463	321.32463	326.16463	326.32463
	50...60	380...440	red	3	321.16464	321.32464	326.16464	
	100-300	>50	green	10	321.16461	321.32461	326.16461	326.32461
>300-500	>50	green	2	321.16462	321.32462	326.16462	326.32462	
3P+N+E	50/60	100-130	yellow	4	321.1642	321.3242	326.1642	326.3242
	50/60	208-250	blue	9	321.1645	321.3245	326.1645	326.3245
	50/60	480-500	grey	7	321.16476	321.32476	326.16476	326.32476
	50/60	600-690	black	5	321.16477	321.32477	326.16477	326.32477
	60	440-460	red	11	321.16475	321.32475	326.16475	326.32475
	50...60	380...440	red	3	321.16474	321.32474	326.16474	326.32474
	>300-500	>50	green	2	321.16472	321.32472	326.16472	326.32472



OUT OF PRODUCTION

4. SPECIAL INDUSTRIAL ADAPTERS

The special industrial adapters have been removed from the catalogue and have been discontinued.

The products with standard configuration are still in the catalogue.

Empty containers are available so the installer can create the desired solution.

The following item numbers are available until the stocks are exhausted:


ADAPTER WITH 2 EXITS AND FIXED PLUG

CATALOGUE NUMBER

DESCRIPTION

COMMENTS

PICTURE

600.1621	3P+E 110V IP44		
600.1622	3P+N+E 110V IP44		
600.1625	3P+N+E 220V IP44		
600.1627/I	3P+N+T 380V IP44		
600.1628	2P+E 380V IP44		
601.1621	3P+E 110V IP66		
601.1622	3P+N+E 110V IP66		
601.1624	3P+E 220V IP66		
601.1625	3P+N+E 220V IP66		
601.1626/I	3P+E 380V IP66		
601.1627/I	3P+N+E 380V IP66		
601.1628	2P+E 380V IP66		
601.1629/R	380V IP66 (phase R)		
601.1629/S	380V IP66 (phase S)		
601.1629/T	380V IP66 (phase T)		


ADAPTER WITH 2 EXITS AND CABLE

CATALOGUE NUMBER

DESCRIPTION

COMMENTS

PICTURE

604.1621/C	3P+E 110V IP44		
604.1622/C	3P+N+E 110V IP44		
604.1624/C	3P+E 220V IP44		
604.1625/C	3P+N+E 220V IP44		
604.1627/I-C	3P+N+E 380V IP44		
604.1628/C	2P+E 380V IP44		
605.1621/C	3P+E 110V IP66		
605.1622/C	3P+N+E 110V IP66		
605.1624/C	3P+E 220V IP66		
605.1625/C	3P+N+E 220V IP66		
605.1626/I-C	3P+E 380V IP66		
605.1627/I-C	3P+N+E 380V IP66		
605.1628/C	2P+E 380V IP66		



ADAPTER WITH 3 EXITS AND SAFETY DEVICE WITHOUT CABLE


CATALOGUE NUMBER	DESCRIPTION	COMMENTS	PICTURE
623.3000-052	WITH MCB - IP44		
623.3000-054	WITH MCB - IP44		
623.3000-055	WITH MCB - IP44		
623.3000-059	WITH MCB - IP44		
623.3000-060	WITH MCB - IP44		
623.3000-324	WITH MCB - IP44		
623.3000-325	WITH MCB - IP44		
623.3000-470	WITH MCB - IP44		
623.3500-059	WITH MCB - IP66		
623.3500-060	WITH MCB - IP66		
623.3500-324	WITH MCB - IP66		
623.3500-325	WITH MCB - IP66		
623.3006-052	WITH RCBO - IP44		
623.3006-055	WITH RCBO - IP44		
623.3006-056	WITH RCBO - IP44		
623.3006-059	WITH RCBO - IP44		
623.3006-060	WITH RCBO - IP44		
623.3006-324	WITH RCBO - IP44		
623.3006-325	WITH RCBO - IP44		
623.3506-059	WITH RCBO - IP66		
623.3506-060	WITH RCBO - IP66		
623.3506-324	WITH RCBO - IP66		
623.3506-325	WITH RCBO - IP66		

ADAPTER WITH 4 EXITS WITHOUT CABLE

CATALOGUE NUMBER	DESCRIPTION	COMMENTS	PICTURE
623.4005-001	IP44		
623.4005-002	IP44		
623.4005-007	IP44		
623.4005-008	IP44		
623.4005-013	IP44		
623.4005-326	IP44		
623.4005-327	IP44		
623.4005-328	IP44		
623.4005-329	IP44		
623.4505-007	IP66		
623.4505-008	IP66		
623.4505-013	IP66		
623.4505-326	IP66		
623.4505-327	IP66		
623.4505-328	IP66		
623.4505-329	IP66		
623.4505-429	IP66	3 SOCKETS+1 BLANK SOCKET	





ADAPTERS FOR TOWERS

CATALOGUE NUMBER	DESCRIPTION	COMMENTS	PICTURE
625.2506-461	2 EXITS IP66		
625.2506-715	2 EXITS IP66		
625.3500-324	3 EXITS IP66		
625.3500-325	3 EXITS IP66		
625.3506-063	3 EXITS IP66		
625.3506-324	3 EXITS IP66		
625.3506-325	3 EXITS IP66		
625.3506-434	6 EXITS IP66	FOR CAMPING	
625.3506-442	3 EXITS IP66		
625.3506-448	3 EXITS IP66		
625.3506-452	6 EXITS IP66	FOR CAMPING	
625.3506-455	6 EXITS IP66		
625.4505-006	4 EXITS IP66		
625.4505-007	4 EXITS IP66		
625.4505-008	4 EXITS IP66		
625.4505-013	4 EXITS IP66		
625.4505-326	4 EXITS IP66		
625.4505-327	4 EXITS IP66		
625.4505-328	4 EXITS IP66		
625.4505-329	4 EXITS IP66		
625.4505-125	6 EXITS IP66	FOR CAMPING	
625.7503-496	BLOCK3+HYDRA	FOR CAMPING	

OUT OF PRODUCTION

5. PLATES EVOLUTION SERIES

SCAME has discontinued the Opaque Brushed Nickel (XNO) and Shiny Brushed Nickel (XNL) plates due to supply problems.

CATALOGUE NUMBER	DESCRIPTION	
<i>Opaque Brushed Nickel Plate</i>		
101.7013.XNO	Classic 3 mod.	
101.7014.XNO	Classic 4 mod.	
101.7016.XNO	Classic 6 mod.	
101.9023.XNO	Bombée 3 mod.	
101.9024.XNO	Bombée 4 mod.	
101.9026.XNO	Bombée 6 mod.	
<i>Shiny Brushed Nickel Plate</i>		
101.7013.XNL	Classic 3 mod.	
101.7014.XNL	Classic 4 mod.	
101.7016.XNL	Classic 6 mod.	
101.9023.XNL	Bombée 3 mod.	
101.9024.XNL	Bombée 4 mod.	
101.9026.XNL	Bombée 6 mod.	



OUT OF
PRODUCTION

6. VLM SERIES

The following item numbers have been discontinued:

**CATALOGUE
NUMBER**

DESCRIPTION

190.74Z
191.5123C
195.116B

Shade ring E27 d65 gold
Lampholder for halogen lamp
Switch button h12



SCAME PARRE S.p.A.
MARKETING OFFICE