



TO ALL OUR CUSTOMERS

1. NEWS: NEW BRITISH STANDARD DOMESTIC SERIES

A new British standard product range has been introduced for embedded domestic applications:

Series **>INNOVA<**

The product range offers: control equipment, socket outlets with and without switches, telephone sockets, sockets for TV/FM/SAT signals, data transmission sockets, dimmers and a series of accessories that render the products suitable for surface mounting as well.



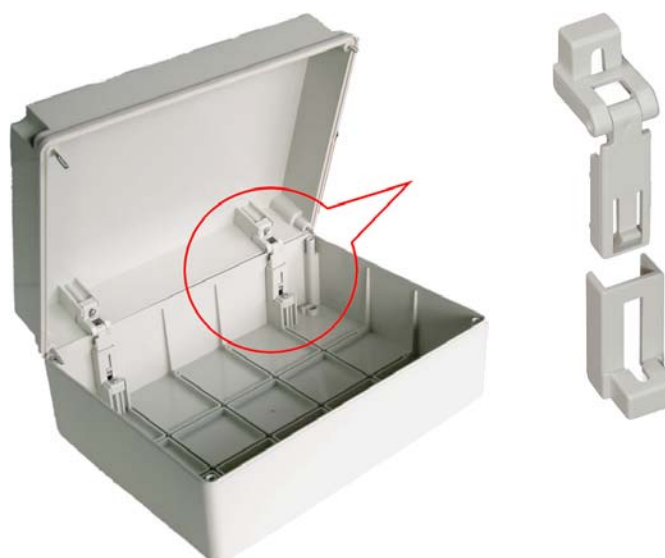
The English brochure is available in PDF format:

www.scame.com/doc/zp00617-GB-1.pdf



2. PRODUCT MODIFICATION: HINGES FOR DEEP-BASE SCABOX SERIES JUNCTION BOXES

The deep box/blank sides version of the SCABOX Series junction box has been modified to allow the use of hinge kit 654.0085 (already suitable for shallow boxes).



The items concerned by the modification are:

| Description | Catalogue number | |
|--|------------------|-------------------|
| | Blank cover | Transparent cover |
| Deep box with blank sides 240x190x125 mm | 686.408 | 686.428 |
| Deep box with blank sides 300x220x170 mm | 686.409 | 686.429 |
| Deep box with blank sides 380x300x170 mm | 686.410 | 686.430 |
| Deep box with blank sides 452x380x180 mm | 686.411 | 686.431 |

Attention: the catalogue numbers remain unchanged.

The hinge kit to be used for all products indicated above is the following:

| Description | Catalogue number |
|--|------------------|
| Hinge kit for SCABOX Series (3 pieces) | 654.0085 |



3.



NEWS: NEW WBOX SERIES FLUSH MOUNTING BOX

A new box with dimensions 118x96x70mm has been added to the SCAME production of WBOX Series flush mounting boxes. It is a version similar to item 875.4411, but with greater depth (increasing from 50mm to 70mm).



Thus a new catalogue number has been created:

| Description | Catalogue number |
|---|------------------|
| Flush mounting junction box 118x96x70mm | 875.4411P |



The item 875.4411 remains in normal production.

4. NEWS: NEW CONDUIT INSTALLATION ACCESSORY: COUPLING ACCESSORY FOR CORRUGATED CONDUITS

The SCAME conduit installation accessories product range has been expanded with a new fitting for corrugated conduits.

The new accessories are suitable as fittings for conduits with diameters of 16, 20, 25, 32, 40 and 50 mm.

| Description | For pipe Ø mm | Catalogue number |
|--|------------------|---------------------|
| Coupling accessory for corrugated conduits | 16 | 862.1916 |
| | 20 | 862.1920 |
| | 25 | 862.1925 |
| | 32 | 862.1932 |
| | 40 | 862.1940 |
| | 50 | 862.1950 |





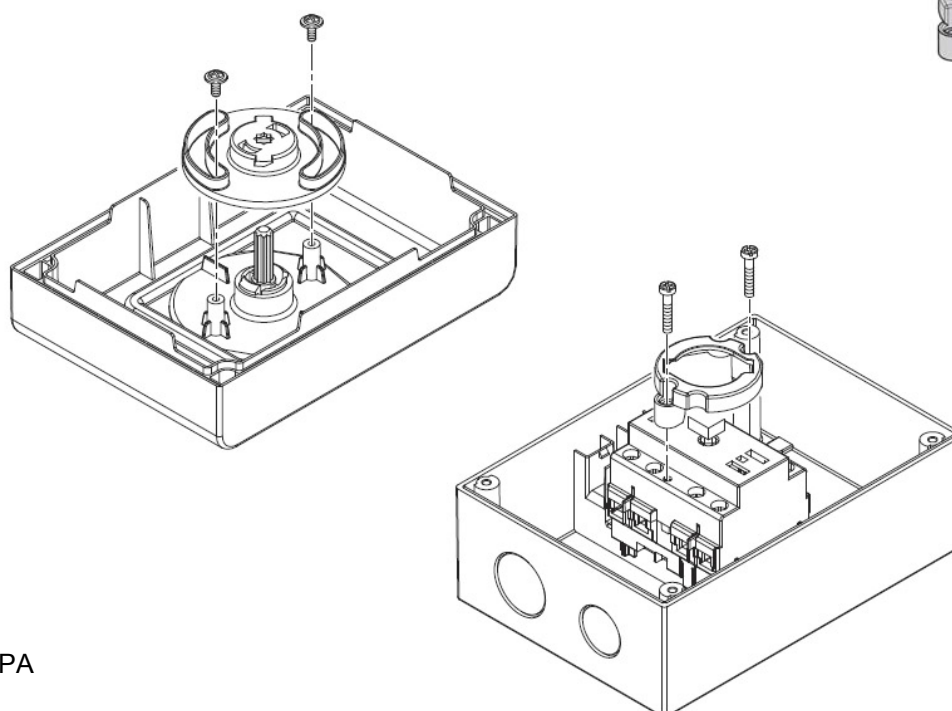
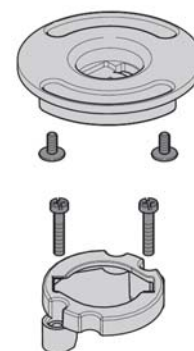
5. NEWS: DOOR LOCK KIT FOR ISOLATORS SERIES SWITCH-DISCONNECTORS IN ENCLOSURES

A door lock accessory has been produced for the ISOLATORS Series switch-disconnectors in enclosures.

The door lock kit is available for the 20, 32, 40, 63 and 80A versions in thermoplastic enclosures as well as metal enclosures.

The following new catalogue numbers have thus been created:

| Description | Catalogue number |
|--|-------------------|
| Door lock for 20,32 and 40A thermoplastic enclosures | 590.BK040 |
| Door lock for 20,32 and 40A metal enclosures | 590.BK040H |
| Door lock for 63 and 80A thermoplastic enclosures | 590.BK080 |
| Door lock for 63 and 80A metal enclosures | 590.BK080H |



SCAME PARRE SPA
EXPORT DEPT.