

## TO ALL OUR CUSTOMERS

### 1. NEW MBOX SERIES DISTRIBUTION BOARDS

SCAME's offer for building site boards is now wider. The new MBOX2 is included.

In thermoplastic, shockproof material and suitable for the supply of power up to 18kW in building sites. Particularly indicated for electrical maintenance jobs, it is a board which every electrical installation or building company should have. Suitable for the specific site areas either in small or big in dimensions, the MBOX boards are also used in heavy site areas, in particular the agriculture and all areas where the possibility of impact, atmospheric agents and chemicals is high.

Main features:

- Versions:
  - transportable (with sockets, circuit breakers, 2m cable and with plug);
  - wall (with sockets, circuit breakers, terminal block supply and wall fixing brackets);
  - stand (accessory);
  - turret (with sockets, circuit breakers, terminal block);
  - empty versions to be cabled by skilled installer.

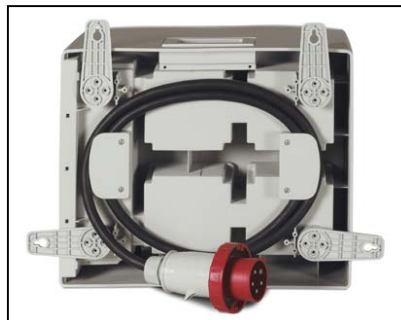


- Size: 432x365x290mm.
- Colour: RAL 7035 grey
- With and without emergency button.
- Socket cutouts provided for:
  - 4 interlocked sockets panel mounting, OMNIA Series 16A and 32A with and without fuse;
  - 6 flush mounting sockets 16A & 32A EUREKA Series.
- Protections: side consumer unit for protection devices, 16 DIN on 2 lines, with 8 DIN each .



Accessories below are available:

- stand kit;
- turret fixing kit;
- emergency push button kit;
- fuse checker;
- wall fixing kit;
- cable support kit;
- yale key kit;
- pole fixing kit.



Refer to SCAME Export Department for catalogue numbers, availability and prices.



## 2. NEW DOMINO SERIES IP66 - 2 DIN MODULES

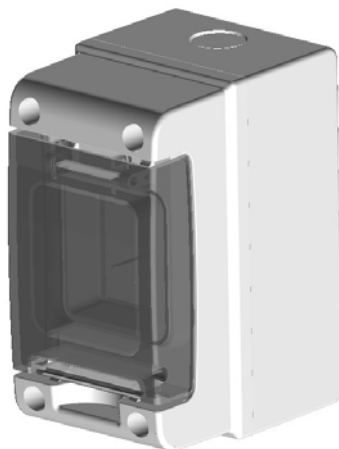
The range of DOMINO Series IP66 consumer units has been widened with the creation of a 2-DIN-modules enclosure (17,5mm).

The main features of the new enclosure are in line with IP66 DOMINO Series.

- IP66 degree of protection;
- Size: 76x135x100mm.
- Complete insulation caps included.
- Stainless steel fixing, quick pitch screws.
- DIN rail is directly fixed to the base.
- Possibility for cover to be sealed.
- Triangle-type lock (no yale lock can be installed).
- Entries: 1 knockable entry with for PG13,5 on both lower and upper sides.

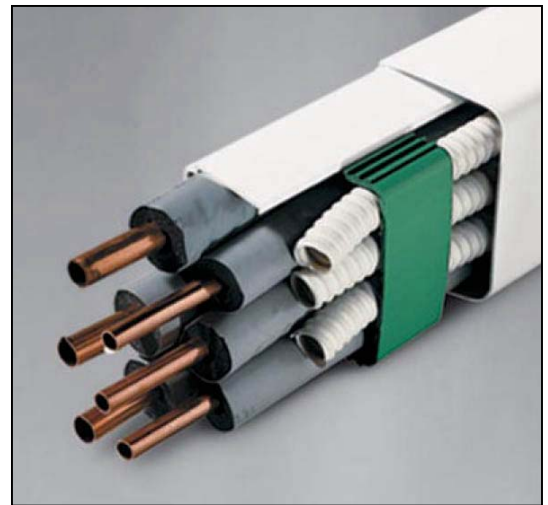
Note: The knockable PG13,5 is also suitable for the fixing of M20 metric accessories.

Description	Module	DIN Model	Catalogue Number
Consumer Unit – IP66 – 2 DIN modules	M135	2 DIN	<b>672.2002</b>



### 3. NEW HEATING, VENTILATION AND AIR-CONDITIONING DUCTING SYSTEM

The range of SCAME ducting systems has been improved: a heating, ventilation and air-conditioning ducting series is now available. Are elegant and practical, made of rigid self-extinguishing PVC. Ducts are fixed on wall by means of expansion plugs, using holes that are on the base. Tubes are fixed against the base through specific quick connection brackets that can be removed by slightly opening ducts.



The main features of the new product are as follows:

- Operating temperature:  $-20^{\circ}\text{C}$   $+60^{\circ}\text{C}$ .
- Colour: RAL 9001 white
- 3 dimensions:

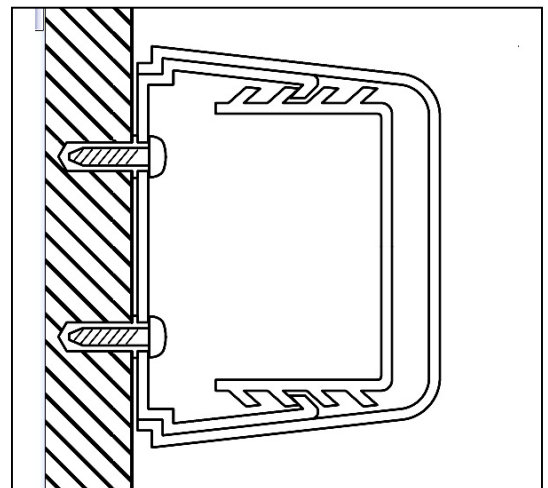
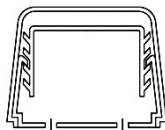
- 60x45mm



- 80x60mm



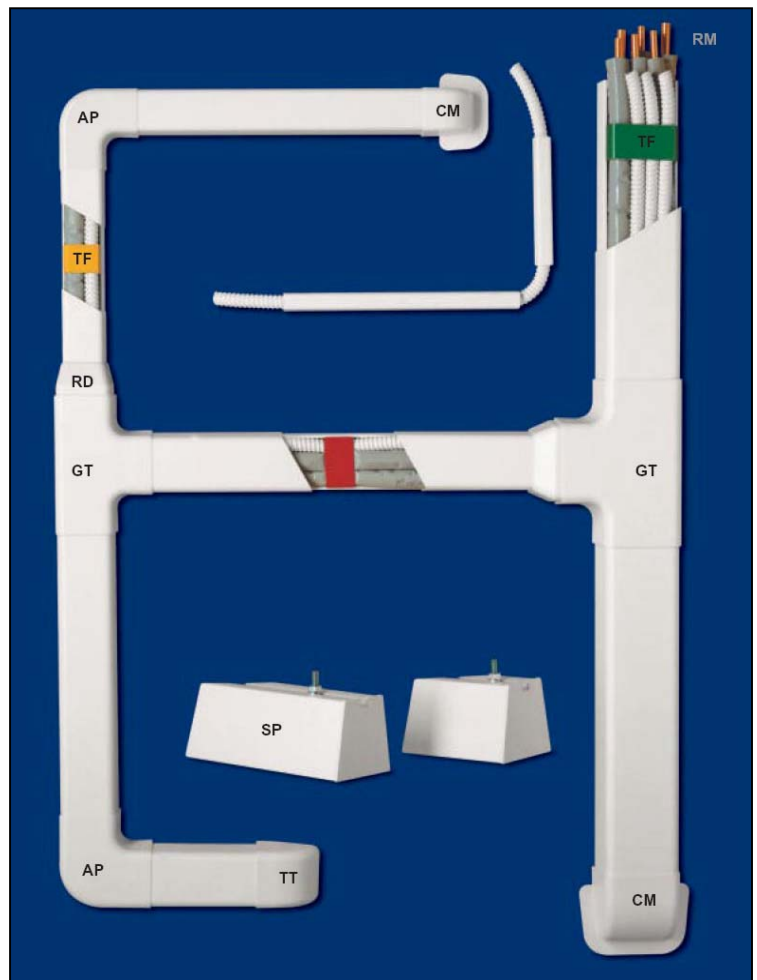
- 110x75mm



Heating, ventilation and air-conditioning ducting series are also provided with a system of accessories to cover joints, connecting points and routes on wall. All accessories can be installed by easy pressure on the accessory/trunkings anchoring base.

Accessories below are available:

- flat angle (AP);
- internal angle (AI);
- external angle (AE);
- wall bend (CM);
- flexible joint (GF);
- joint cover (GU);
- flat tees (GT);
- wall terminal (TM);
- end cap (TT);
- pipe retainer (TF);
- adaptor (RD);
- connections;
- wall recessing box;
- floor bases for external units (SP);
- brackets for conditioning units;
- anti-vibration kits;
- insulated copper tubes.



Refer to SCAME Export Department for catalogue numbers, availability and prices.

SCAME PARRE SPA  
EXPORT DEPT.