

TO ALL OUR CUSTOMERS

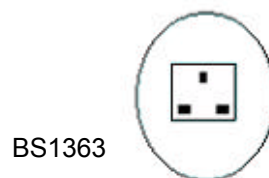
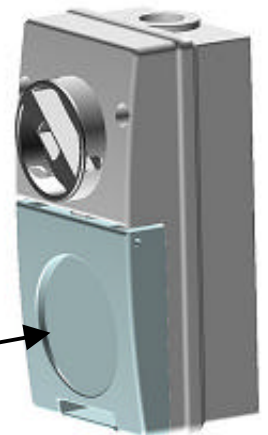
1. NEW SWITCHED SOCKET – OUTLET BS1363

The new switched socket – outlet BS1363 is now available.

The main features of the product are as follows:

- ? Utilises domestic plug 2P+E 13A 250V A.C. BS1363;
- ? Disconnecting – control switch AC22A 20A 690V, AC23A 16A 690V, AC3A 12A 690V;
- ? Index of protection IP66 (with plug covered or outlet with ring placed)
- ? Lockable control switch in three points when OFF and in one point when ON.
- ? Entries: 1xM25 thread breakable on the upper part, metric 2xM20 breakable on the lower side, 2xM20/M25 breakable on the bottom;
- ? Compatible with ADVANCE system;

Description	Catalogue No.
Switched socket-outlet BS1363	570.7180



2. NEW PROTECTION COVER FOR IEC309 16A 2P+E APPLIANCE INLET

A protection cover for the IEC309 16A 2P+E appliance inlet is now available. The cover is a protective device against bad weather and oxidation. It can be used with both IP44 & IP67 inlet. With this accessory the protection can be maintained when it is not connected to the corresponding outlet.

Description	Catalogue No.
Protection cover for 16A – 2P+E	570.0316



3. NEW COLOUR FOR FLUSH MOUNTING BOXES OMNIA & DOMINO IP40

The colour of **flush mounting boxes** and the corresponding insert for OMNIA & DOMINO IP40 products has changed.

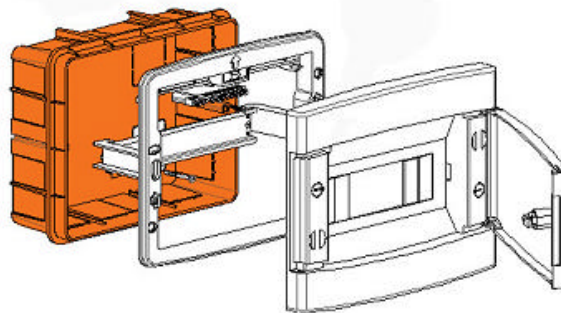
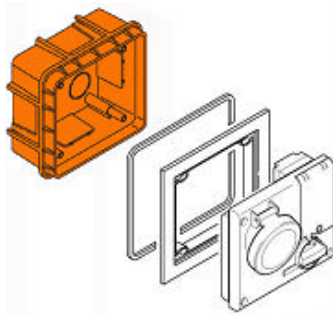
The previous dark grey colour has been replaced with RAL2008 orange. All other characteristics are the same.

code 572.0200

code 572.0200

code 675.xxxx

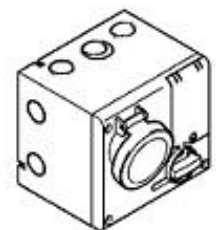
code 572.0200



4. NEW IEC309 OMNIA 32A FLUSH MOUNTING OUTLETS WITH FUSE HOLDER

The product is manufactured in the standard (4h-6h-9h) IP44 & IP67 wall versions.

- ? External Dimensions: 136x125x115 mm (depth is 30mm bigger than in the standard version).
- ? Inputs: 1xM20/M25 + 2xM20 breakable in the upper and lower sides, 2xM20 breakable on sides, 2xM20/25 breakable on the bottom.
- ? Compatible with ADVANCE System.

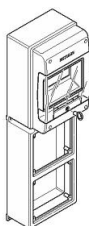
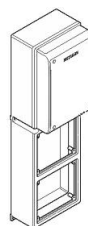
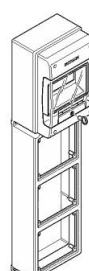

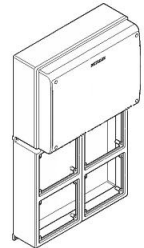


The new products below are coded as follows:

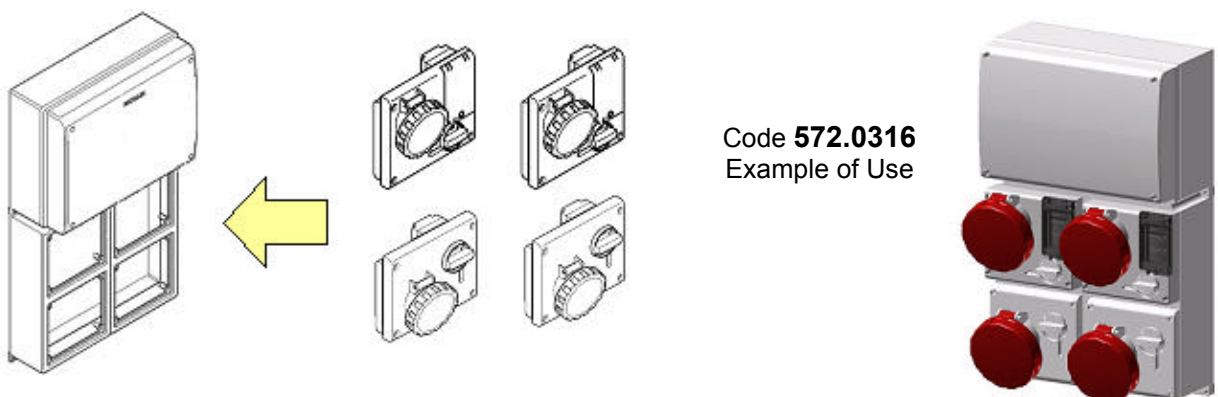
Poles	Hz	Volts	Colour	Hours	Catalogue No.	
					IP44 32A	IP67 32A
2P+E	50/60	110-130	Yellow	4	501.M3270	506.M3270
	50/60	200-250	Blue	6	501.M3283	506.M3283
	50/60	380-415	red	9	501.M3278	506.M3278
3P+E	50/60	110-130	Yellow	4	501.M3272	506.M3272
	50/60	200-250	Blue	9	501.M3274	506.M3274
	50/60	380-415	Red	6	501.M3286	506.M3286
3P+N+E	50/60	110-130	Yellow	4	501.M3279	506.M3279
	50/60	208-250	Blue	9	501.M3275	506.M3275
	50/60	346-415	Red	6	501.M3287	506.M3287

5. NEW OMNIA 3-& 4-SECTION MODULAR BOXES

The already existing OMNIA wall range has been improved with three additional versions as specified below:

	OMNIA WALL SYSTEM				
	Existing Products		New Products		
					
Article Code	572.0311	572.0312	572.0313	572.0314	572.0316
Version	6 DIN Unit	Plain	6 DIN unit	Plain	Plain
Outlet No.	2 OMNIA	2 OMNIA	3 OMNIA	3 OMNIA	4 OMNIA
IP	IP55	IP66	IP55	IP66	IP66
Dimensions (mm)	136x472x146	136x472x146	136x616x146	136x616x146	287x480x146



The unit is made up of a wall mounting unit and sections to house OMNIA flush mounting outlets. Its design ensures increase strength and quicker cabling. Thanks to the external fasteners, it allows performing any cabling operation on the work table and, then, fixing the obtained combination to the wall. The unit can be installed with a plain cover and can be used for cable termination.

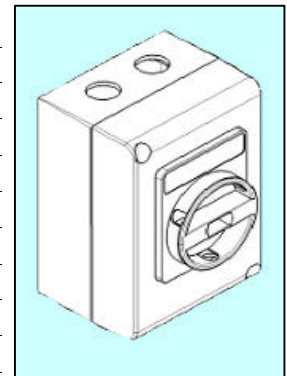


6. ERRATA CORRIGE SIS 17

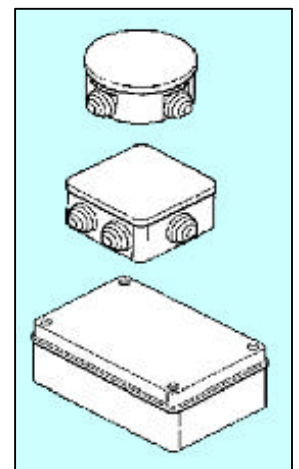
In SIS17, errors were made in the codes of some products. Corrections are specified below.

Series ISOLATORS in metal enclosure

Rated Current AC22A	Pole s	Terminal Capacity (mm ²)	Enclosure Dimensions	Catalogue No.	
				Emergency Switching 	General Use 
20A	2	6	105 x 150 x 82	590.HEM1602	590.HGE1602
	3			590.HEM1603	590.HGE1603
	4			590.HEM1604	590.HGE1604
32A	2	16	105 x 150 x 82	590.HEM3202	590.HGE3202
	3			590.HEM3203	590.HGE3203
	4			590.HEM3204	590.HGE3204
63A	2	25	150 x 210 x 106	590.HEM6302	590.HGE6302
	3			590.HEM6303	590.HGE6303
	4			590.HEM6304	590.HGE6304
100A	3	35	150 x 210 x 106	590.HEM10003	590.HGE10003
	4			590.HEM10004	590.HGE10004


Series SCABOX GLOW-WIRE 960°C

Boxes with Cable glands – IP44 – Press-Closing Cover			
Inside Dimensions (mm)	No. of Inlets	Suitable for cable gland	Catalogue No.
? 65 x 35	4 ? 23 mm	PG16	680.9001
? 80 x 40	4 ? 23 mm	PG16	680.9002
80 x 80 x 40	6 ? 23 mm	PG16	680.9003
Boxes with Cable glands – IP55 – Screw Closing Cover			
Inside Dimensions (mm)	No. of Inlets	Suitable for fairleads	Catalogue No.
100 x 100 x 50	6 (29 mm	PG21	685.9004
120 x 80 x 50	6 (29 mm	PG21	685.9005
Boxes with blank sides– IP56 – Screw Closing Cover			
Inside Dimensions (mm)			Catalogue No.
100 x 100 x 50			686.9204
120 x 80 x 50			686.9205



SCAME PARRE SPA
 EXPORT DEPT.