

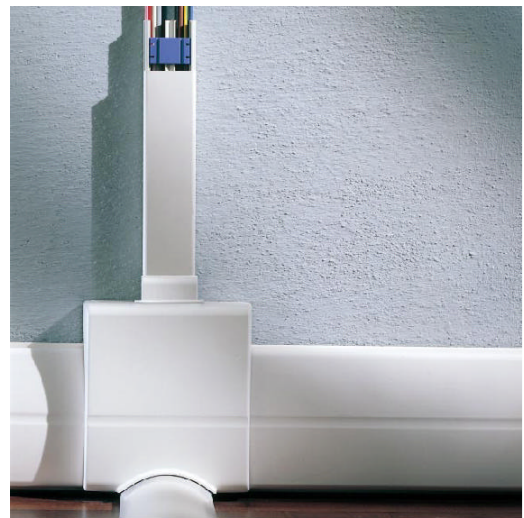
TO ALL OUR CUSTOMERS

1. NEW WADO-SERIES SKIRTING TRUNKING AND FLOOR TRUNKING

SCAME has increased the already wide range of trunking which has been part of its offer for many years (WADO mini-trunking, slotted cable trunking and skirting trunking).

The new range integrates perfectly with mini-trunking system both in terms of aesthetics and installation. Our improved offer ensures we have the solution to match any type of domestic, industrial and tertiary sector requirement. The new range of skirting trunking replaces the old one, which is now out of production.

They are suitable for the renovation of homes and offices, systems for prefabricated buildings and perfectly match any environment.



SCAME skirting trunking Wado Series have the following features:

- ?2 sizes: 80mm and 120mm;
- ?circuits divided into 3 sections with 80-mm fixed separators;
- ?circuits divided into 5 sections with 120mm fixed separators;
- ?complete range of interconnecting accessories;
- ?removable cover using a tool;
- ?useful inspection cover on accessory boxes;
- ?Available colours: white, anthracite and brown for skirting trunking.
White, anthracite, brown and grey for floor trunking.
- ?Junction boxes for the installation of wiring accessories

To inform your customers about the new range of products, we have:

- 20-pages illustrative brochure in Italian, English, French and Spanish;
- Basic sample-kits to test assembling several accessories;

Brochures are also available in .pdf at the following web page:

<http://www.scame.com/doc/ZP00546-GB-0.pdf> (English)

<http://www.scame.com/doc/ZP00546-E-0.pdf> (Spanish)

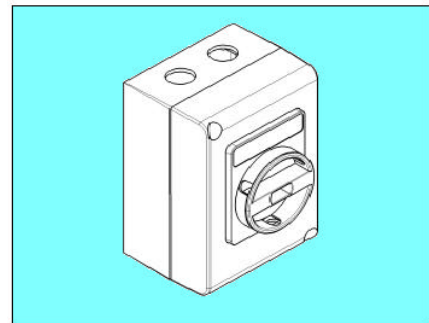
We enclose here a form that you are kindly requested to complete, only specifying if YOU WANT to receive the promotional materials (check the corresponding box) and quantities. Please, complete correctly and send it back by fax or e-mail, even if you are not interested in the product.

2. NEW METAL SWITCH DISCONNECTORS ISOLATORS SERIES

The new range of ISOLATORS with metal enclosure is now available.

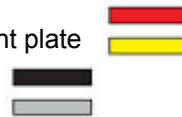
The electrical features are the same as the version with thermoplastic enclosure, while the metal enclosure has the following additional features:

- ? Enclosure in aluminium alloy
- ? External surface treatment: epoxy paint RAL 7015
- ? Stainless steel screws
- ? Preset for Grounding
- ? Protection degree: IP65





Emergency switching: padlockable red knob with yellow front plate

General use: padlockable black knob with grey front plate

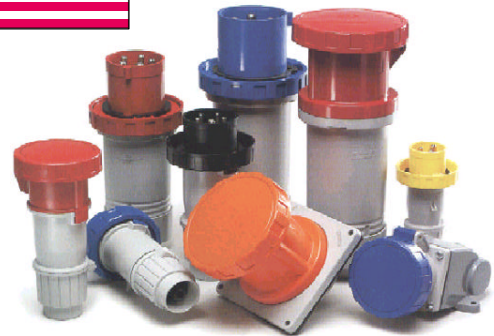
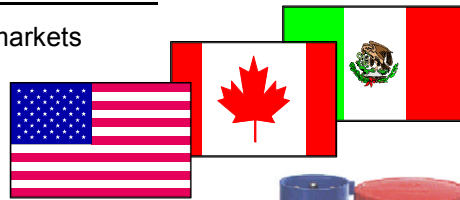
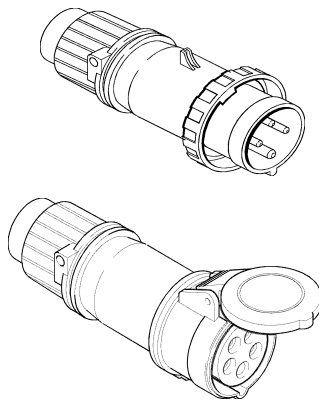


Catalogue No.

Rated Current AC22A	Poles	Terminal Capacity(mm ²)	Enclosure Dimensions	Packing	Emergency Switching	General Use
						
20A	2	6	105 x 150 x 82	1/12	590.HEM1602	590.HGE1602
	3				590.HEM1603	590.HGE1603
	4				590.HEM1604	590.HGE1604
32A	2	16	105 x 150 x 82	1/12	590.HEM3202	590.HGE3202
	3				590.HEM3203	590.HGE3203
	4				590.HEM3204	590.HGE3204
63A	2	25	150 x 210 x 106	1/5	590.HEM6302	590.HGE6302
	3				590.HEM6303	590.HGE6303
	4				590.HEM6304	590.HGE6304
100A	3	35	150 x 210 x 106	1/5	590.HEM10003	590.HGE10003
	4				590.HEM10004	590.HGE10004

3. NEW EUREKA-HD CONNECTORS IEC309 WITH UL APPROVAL

UL-classified IEC309 connectors suitable for North-American markets are now available.



The brochure is only in English and can be also downloaded in .pdf format at the following web page:

<http://www.scame.com/doc/ZP00508-GB-1.pdf>

4. NEW SCABOX GLOW-WIRE 960°C

Now we are able to offer you SCABOX glow-wire 960°C junction boxes.

The dimensions aesthetic appearance and functionality match the traditional 650°C glow-wire range.

Boxes with Cable Glands – IP44 – Press-fit Cover

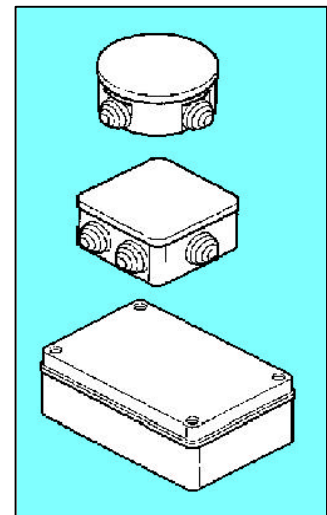
Inside Dimensions (mm)	Number of Inlets	Suitable for cable gland	Catalogue No.
? 65 x 35	4 ? 23 mm	PG16	680.9001
? 80 x 40	4 ? 23 mm	PG16	680.9002
80 x 80 x 40	6 ? 23 mm	PG16	680.9003

Boxes with Cable Glands – IP55 – Screw-down Cover

Inside Dimensions (mm)	Number of Inlets	Suitable for cable gland	Catalogue No.
100 x 100 x 50	6 ? 29 mm	PG21	685.9004
120 x 80 x 50	6 ? 29 mm	PG21	685.9005

Boxes with blank sides – IP56 – Screw-down Cover

Inside Dimensions (mm)	Catalogue No.
100 x 100 x 50	686.9204
120 x 80 x 50	686.9205

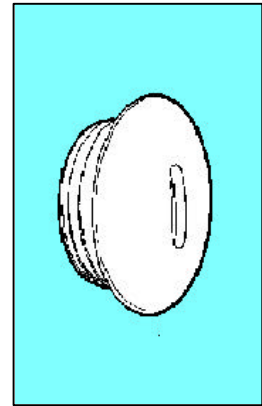


5. NEW METRIC SCREW CAPS

The new METRIC version of SCREW CAPS has been added to the catalogue.

Codes are reported below.

Description	Packing	Catalogue No.
M12x1.5 mm	100/1000	805.5812
M16x1.5 mm	100/1000	805.5816
M20x1.5 mm	100/1000	805.5820
M25x1.5 mm	100/1000	805.5825
M32x1.5 mm	50/500	805.5832
M40x1.5 mm	25/250	805.5840
M50x1.5 mm	25/250	805.5850



SCAME PARRE SPA
EXPORT DEPT.



n° 017/2003 - FEBRUARY 2003

Page: 5

**REQUEST FOR PROMOTIONAL MATERIALS RELEVANT TO
 WADO SKIRTING TRUNKING**

Send by fax to this number: ++39 035 703122
 or by e-mail to this address: katiamarinoni@scame.com

Yes, I want to receive the promotional material

Number.....brochure/s for **WADO SKIRTING TRUNKING** in

- English
- French
- Spanish

Number sample kit/s

No, I do not want to receive any promotional material due to the reasons below:

.....

I already market these products of the company:.....

Company name:.....

Date

Signature and Stamp
