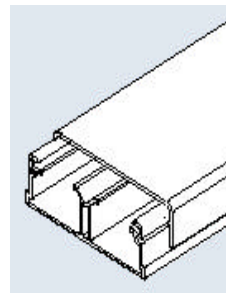
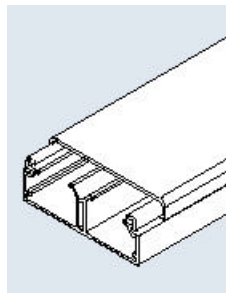


TO ALL OUR CUSTOMERS

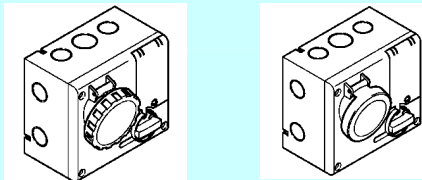
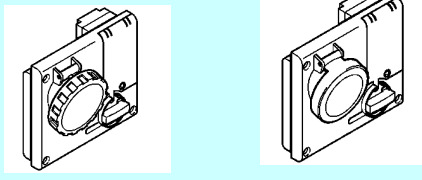
1. NEWS: MINI - TRUNKINGS SYSTEM

The range of mini-trunkings has been completely renewed. This series is now manufactured with new and interesting features. Specific documentation will be forwarded to you in the next days.

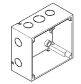
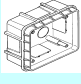
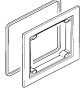
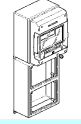
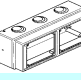
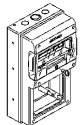
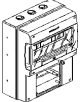
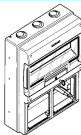
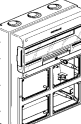


2. NEWS: OMNIA SERIES WITH FUSE CARRIER BASE

The version with fuse carrier is now available for both 16A and 32A, in the IP44 and IP67 versions. Sizes are the same as the current version. The 16A is available both in flush mounting and surface mounting versions, while the 32A is available only in flush mounting version.

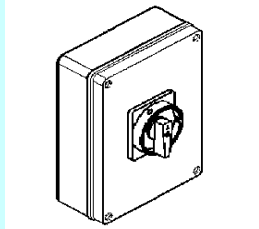
<p>Art. 501.xxxx and 506.xxxx</p> <ul style="list-style-type: none"> ✓ 16A, ✓ IP44 and IP67 	
<p>Art. 401.xxxx and 406.xxxx</p> <ul style="list-style-type: none"> ✓ 16A and 32A ✓ IP44 and IP67 	

Here below are summarized all Scame boxes, suitable for installing the new range OMNIA interlocked switch socket outlets with fuse carrier.

	Catalogue Number	Box	Installation
	Art. 572.0310	Surface Mounting Box IP 67	16A
 +	Art. 572.0200	Flush Mounting Box	16A and 32A
	Art. 572.0220	Frame	
	Art. 572.0311 (6 mod. DIN)	Surface Mounting System	16A and 32A
	Art. 672.1200	Modular Enclosure IP55 M150 Domino series	16A and 32A
	Art. 672.2200 and Art. 672.UK2200 (8 mod. DIN)	Modular Enclosure IP55 M340 Domino series	16A and 32A
	Art. 672.3200 and Art. 672.UK3200 (12 mod. DIN)	Modular Enclosure IP55 M400 Domino series	16A and 32A
	Art. 672.4216 (16 mod. DIN)	Modular Enclosure IP55 M400 Domino series	16A and 32A
	Art. 672.5416 (18 mod. DIN)	Modular enclosure IP55 M550 Domino series	16A and 32A

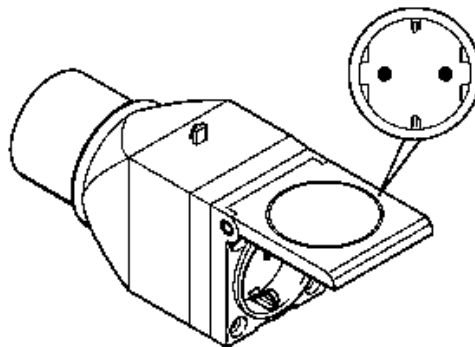
3. CATALOGUE CODES FOR ISOLATORS 100A

The new 100A ISOLATORS codes are now available.

	Description	Catalogue Number
	ISOLATORS 100A, 3 poles for emergency use	590.EM10003
	ISOLATORS 100A, 4 poles for emergency use	590.EM10004
	ISOLATORS 100A, 3 poles for standard use	590.GE10003
	ISOLATORS 100A, 4 poles for standard use	590.GE10004

4. NEW: ONE WAY ADAPTOR ART. 610.381

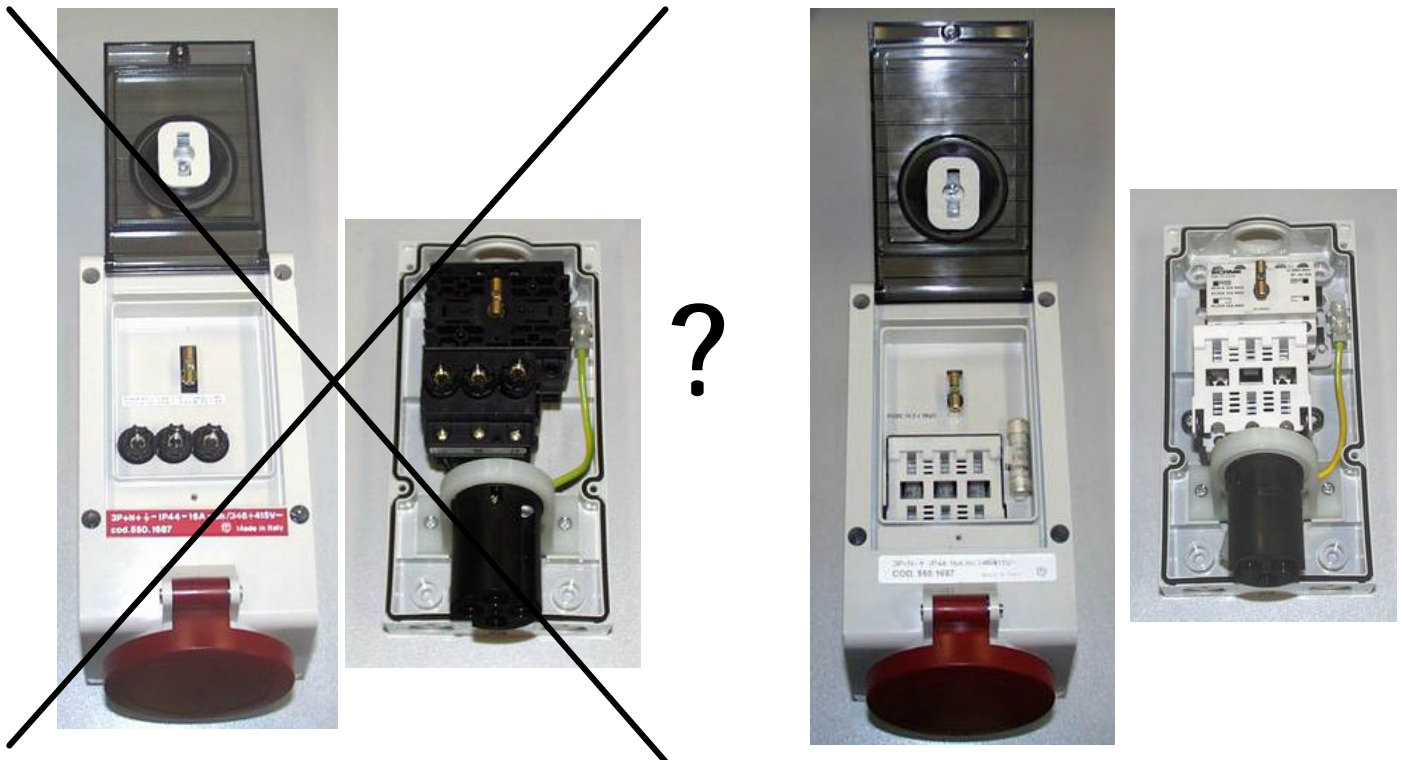
Art. **610.381** is now available with a socket UNEL (German standard) and a IEC309 plug 2P+E, 16A. The socket outlet is equipped with a cover ensuring the IP44 protection degree when the plug is not connected.



5. COMPACT ADVANCE 16A AND STANDARD ADVANCE 16 AND 32A

In our ADVANCE series , socket outlets with interlocked switch (families 542, 544, 545, 547, 550, 551, 552, 555, 556, 557, 558, 559), the isolator switch has been replaced by another one having innovative features. The fuse is not inserted by a Edison screw, but it is now connected by a very simple snap action. Thanks to this modification, fused 10,3x38mm can be used in 32A as well as in 16A socket outlets. This modification makes the fuse change operations easier and allows increasing the socket electrical performances: less dissipated heat and better operation performances (AC23).

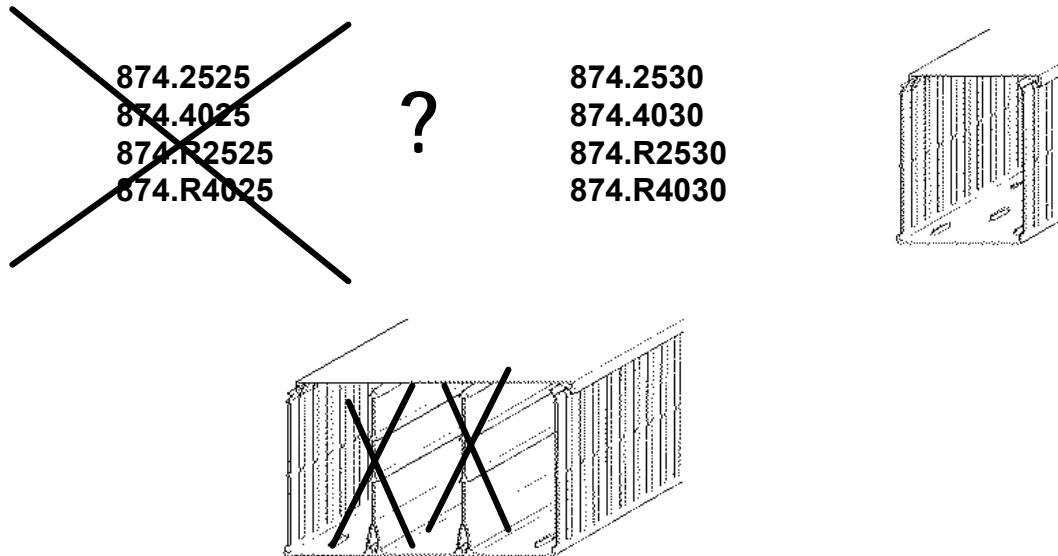
Article Codes remain unchanged.



6. MODIFICATION OF SLOTTED CABLE TRUNKINGS: NEW SIZES

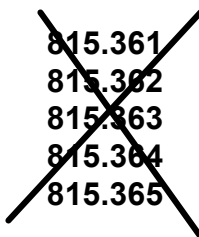
All the articles 25mm high are replaced by corresponding ones 30mm high.

Divider art 872.9100 cannot be used any more for family 874, but it will be still produced for cable trunkings of the family 872.



7. ARTICLES OUT OF PRODUCTION: WHITE PVC TERMINAL STRIPS FAMILY 815

PVC terminal strips (not marketable in Western Europe) are available only in black version. Therefore, white versions now are out of production.



SCAME PARRE SPA
 EXPORT DEPT.