

WADO Series

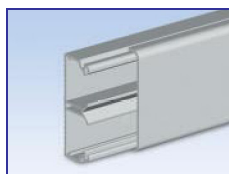
Trunking systems:
mini-trunking and skirting trunking

No. Reference SERIES

876 - 879

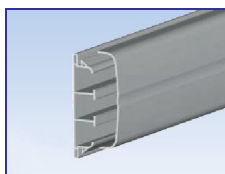
Versions

Mini-trunking and accessories



Version with
standard lid

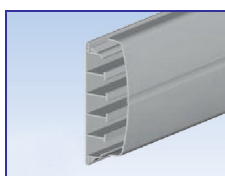
Skirting, framing, floor trunking and accessories



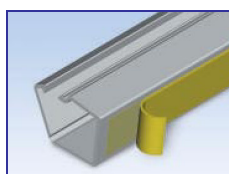
80mm skirting
trunking



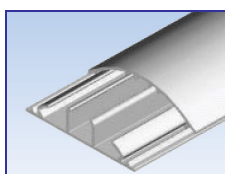
Version with
enveloping lid



120mm skirting
trunking



Version with
adesive bottom



Floor
trunking

Reference standards:

Standards: **CEI 23-19**
CEI 23-32

Marking

Marking: **CE Marking**



Quality marks



TECHNICAL characteristics:

Protection degree: **IP40**
Operating temperature according
to the reference standard: **-25°C +60°C**
Max. operating temperature: **60°C**
Glow Wire test: **650°C**
Material: **Engineering plastic**
Colour: **Grey RAL 7035**
White RAL 9003
Anthracite
Brown
Double insulation : **YES**
Impact resistance according
to the reference standard: **Mini-trunking: 2J a -5°C**
Skirting trunking: 1/2J a -5°C

PRACTICAL advice

- ❖ *Conduits and accessories must never be subject to heavy loads during the storage and transit, otherwise permanent damage may occur. Always store in a dry place.*
- ❖ *Plastic conduits and accessories must never be exposed to direct rays of sunlight during storage and transit.*
- ❖ *Safety and functional properties are assure only when using accessories and components supplied or authorised by the manufacturer.*



WADO Series

Trunking systems:
mini-trunking and skirting trunking

No. Reference SERIES

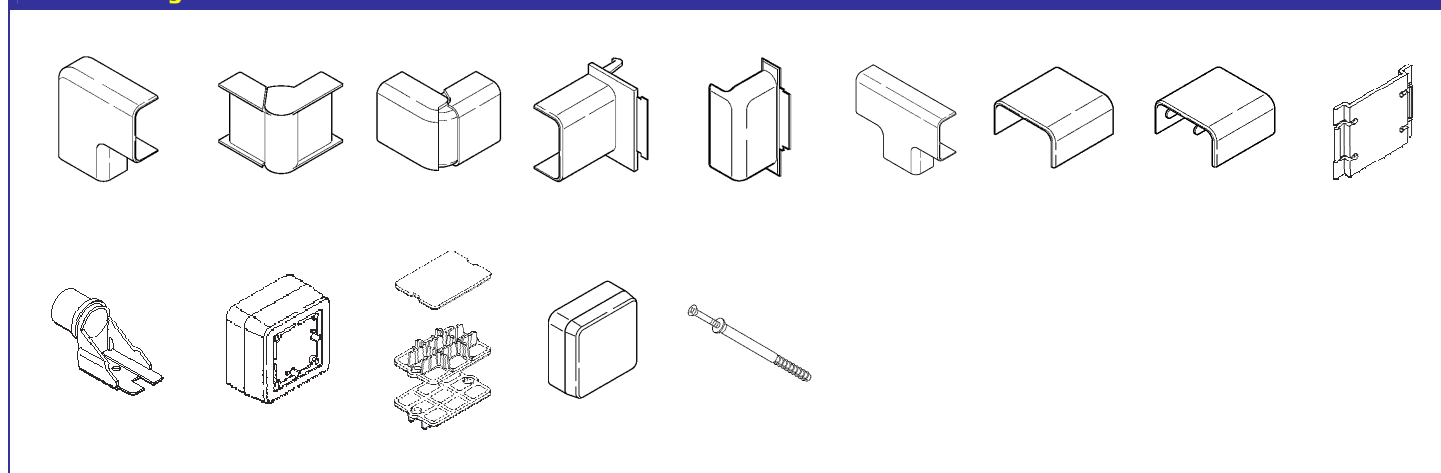
876 - 879



Behaviour with CHEMICAL and ATMOSPHERIC AGENTS

Saline solution	Acids		Bases		Solvents				Mineral oil	UV rays
	Concentrated	Diluted	Concentrated	Diluted	Hexane	Benzol	Acetone	Alcohol		
RESISTANT	LIMITED RESISTANCE	RESISTANT	LIMITED RESISTANCE	RESISTANT	NOT RESISTANT	NOT RESISTANT	LIMITED RESISTANCE	RESISTANT	RESISTANT	RESISTANT

Mini-trunking ACCESSORIES



Skirting trunking ACCESSORIES

