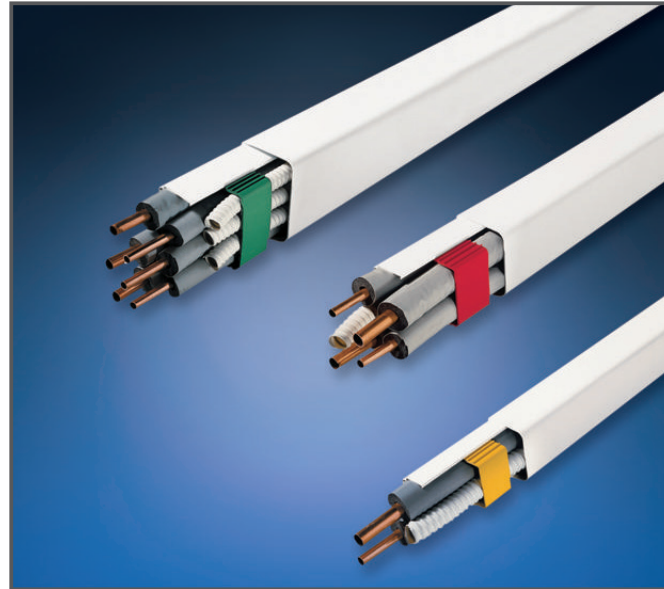





WADO Series - Trunking for air conditioning systems

> TRUNKING SYSTEMS: TRUNKING FOR AIR CONDITIONING SYSTEMS



> VERSIONS

	Dimensions: 60x45mm
	Dimensions: 80x60mm
	Dimensions: 110x75mm

> TECHNICAL CHARACTERISTICS

Operating temperature:	-25°C+60°C
Material:	Engineering plastic
Colour:	White RAL 79001

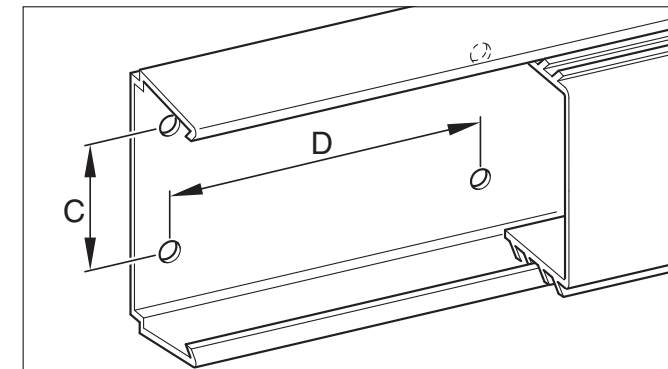
> TECHNICAL CHARACTERISTICS OF THE MATERIAL

Resistance to tensile stress:	40N/mm²
Resistance to breaking:	38N/mm²
Elongation to pulling stress:	109%
Elastic module:	2810N/mm²
Resistance to impacts 23°C c.i.:	745/m
Vic at softening temperature 50N (thermal increment 50°C/h):	81°C
Inflammability on 1.36 mm thickness (flame is not propagated):	94 V-0

> BEHAVIOUR WITH CHEMICAL AND ATMOSPHERIC AGENTS

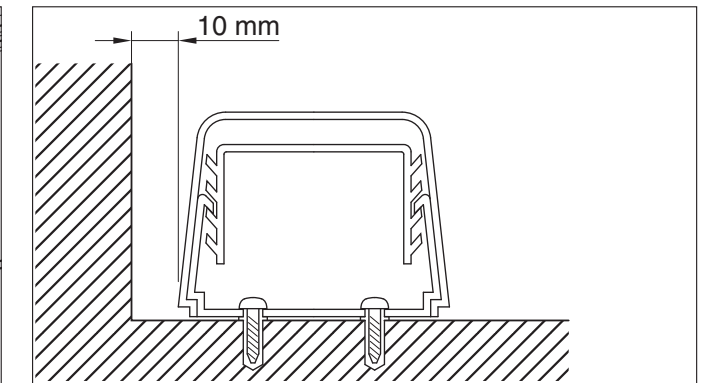
Saline solution	Acids		Bases		Solvents				Mineral oil	UV rays
	Concentrated	Diluted	Concentrated	Diluted	Hexane	Benzol	Acetone	Alcohol		
Resistant	Not Resistant	Resistant	Limited Resistance	Resistant	Not Resistant	Not Resistant	Limited Resistance	Resistant	Resistant	Resistant

> FIXING HOLES



Code	C	D
871.060	35	200
871.080	50	200
871.110	80	200

> METHOD OF INSTALLATION



The trunking base is pre-drilled at 600mm centres for wall fixing. The bracket has to be installed just on blocks. The bend and wall passage are ready for fixing by blocks.

> APPLICATION EXAMPLES

