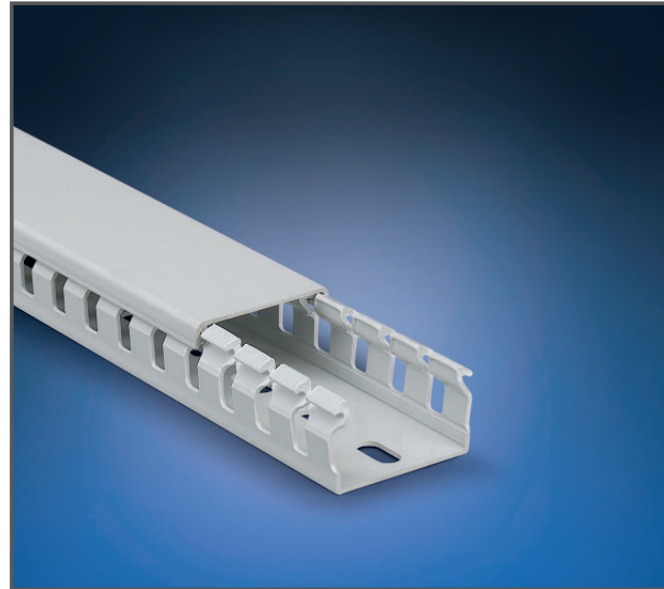
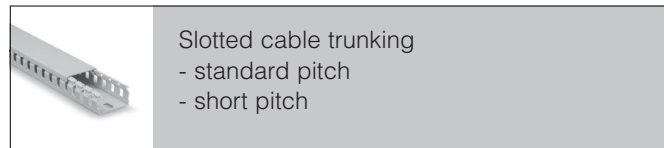


WADO Series - Slotted cable trunking

> SLOTTED CABLE TRUNKING



> VERSIONS



> REFERENCE STANDARDS

EN 50085-2-3
 Cable trunking systems and cable ducting systems for electrical installations.
 Part 2-3: particular requirements for slotted cable trunking systems intended for installation in cabinets

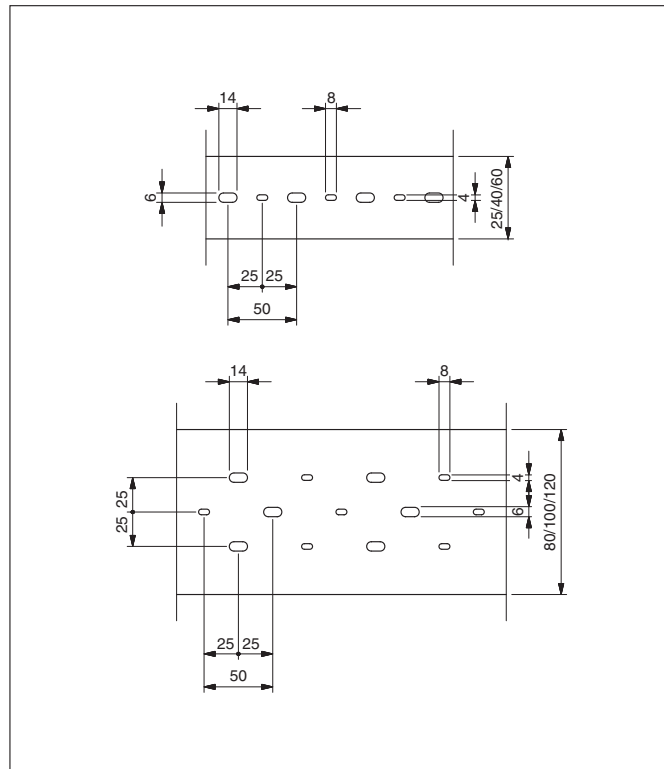
> QUALITY MARKS



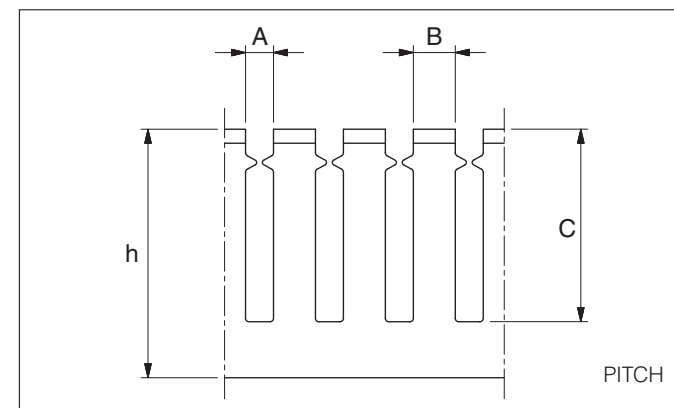
> TECHNICAL CHARACTERISTICS

Operating temperature according to the reference standard:	-15°C+60°C
Max. operating temperature:	60°C
Glow Wire test:	960°C
Material:	Engineering plastic
Colour:	Grey RAL 7030

> DIMENSIONS



SLOTTED CABLE TRUNKING				
Dimensions	h	A	B	C
SHORT PITCH	30	8	12	23,5
	40	8	12	30
	60	8	12	50
	80	8	12	68
STANDARD PITCH	30	6	9	23,5
	40	4	6	30
	60	4	6	50
	80	4	6	70



(Dimensions in mm)

> BEHAVIOUR WITH CHEMICAL AND ATMOSPHERIC AGENTS

Saline solution	Acids		Bases		Solvents				Mineral oil	UV rays
	Concentrated	Diluted	Concentrated	Diluted	Hexane	Benzol	Acetone	Alcohol		
Resistant	Limited Resistance	Resistant	Limited Resistance	Resistant	Not Resistant	Not Resistant	Limited Resistance	Resistant	Resistant	Resistant

> APPLICATION EXAMPLES

