

> SKIRTING TRUNKING AND ACCESSORIES



> VERSIONS

| | |
|--|-------------------------|
| | 80mm skirting trunking |
| | 120mm skirting trunking |
| | Floor trunking |

> REFERENCE STANDARDS

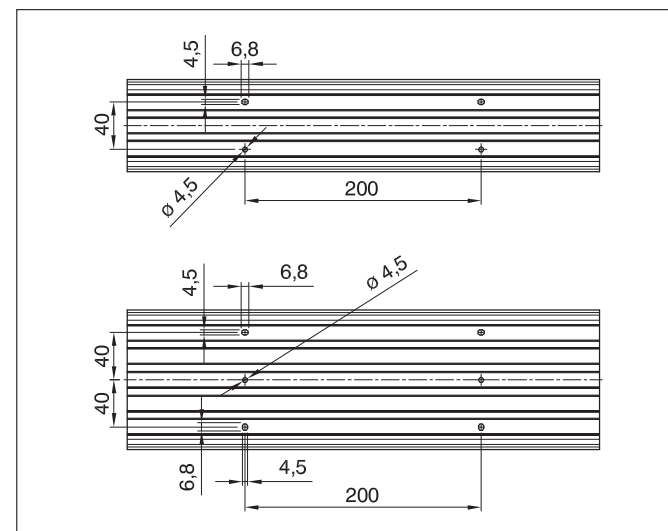
EN 50085-2-1
Cable trunking systems and cable ducting systems for electrical installations.
Part 1: general requirements

> QUALITY MARKS



> TECHNICAL CHARACTERISTICS

| | |
|--|--|
| Protection degree: | IP40 |
| Operating temperature according to the reference standard: | -25°C + 60°C |
| Max. operating temperature: | 60°C |
| Glow Wire test: | 650°C |
| Material: | Engineering plastic |
| Colour: | Grey RAL 7035 White RAL 9003 Anthracite Brown |
| Impact resistance according to the reference standard: | 1J a -5°C |



The trunking back is provided with $\varnothing 4.5$ -mm holes and 6.8x4.5-mm slots with 40-mm distance between centres and 200-mm pitch.

> BEHAVIOUR WITH CHEMICAL AND ATMOSPHERIC AGENTS

| Saline solution | Acids | | Bases | | Solvents | | | | Mineral oil | UV rays |
|-----------------|--------------------|---------------|--------------------|-----------|---------------|---------------|--------------------|-----------|-------------|-----------|
| | Concentrated | Diluted | Concentrated | Diluted | Hexane | Benzol | Acetone | Alcohol | | |
| Resistant | Limited Resistance | Not Resistant | Limited Resistance | Resistant | Not Resistant | Not Resistant | Limited Resistance | Resistant | Resistant | Resistant |

> TRUNKING SECTIONS (mm²)

| | | 1 | 2 | 3 | 4 | 5 | |
|------------------------------|---------------------------------------|--------------------|-----|-----|-----|-----|----|
| 80-mm skirting trunking | Trunking sections mm ² | 274 | 300 | 274 | | | |
| | Max. number of conductors installable | 1,5mm ² | 13 | 14 | 13 | | |
| | | 2,5mm ² | 9 | 10 | 9 | | |
| | | 4mm ² | 7 | 8 | 7 | | |
| 120-mm skirting trunking | Trunking sections mm ² | 327 | 391 | 409 | 391 | 327 | |
| | Max. number of conductors installable | 1,5mm ² | 14 | 18 | 18 | 18 | 14 |
| | | 2,5mm ² | 10 | 12 | 12 | 12 | 10 |
| | | 4mm ² | 8 | 9 | 9 | 9 | 8 |
| Floor trunking | Trunking sections mm ² | 152 | 194 | 152 | | | |
| | Max. number of conductors installable | 1,5mm ² | 7 | 8 | 7 | | |
| | | 2,5mm ² | 5 | 5 | 5 | | |
| | | 4mm ² | 4 | 4 | 4 | | |

> APPLICATION EXAMPLES



WADO Series - Skirting trunking

> SKIRTING, FLOOR TRUNKING AND ACCESSORIES

80mm VERSION

Offering excellent aesthetic and functional integration with skirting version 120-mm and with mini-trunking by Scame, Wado series.

KEY

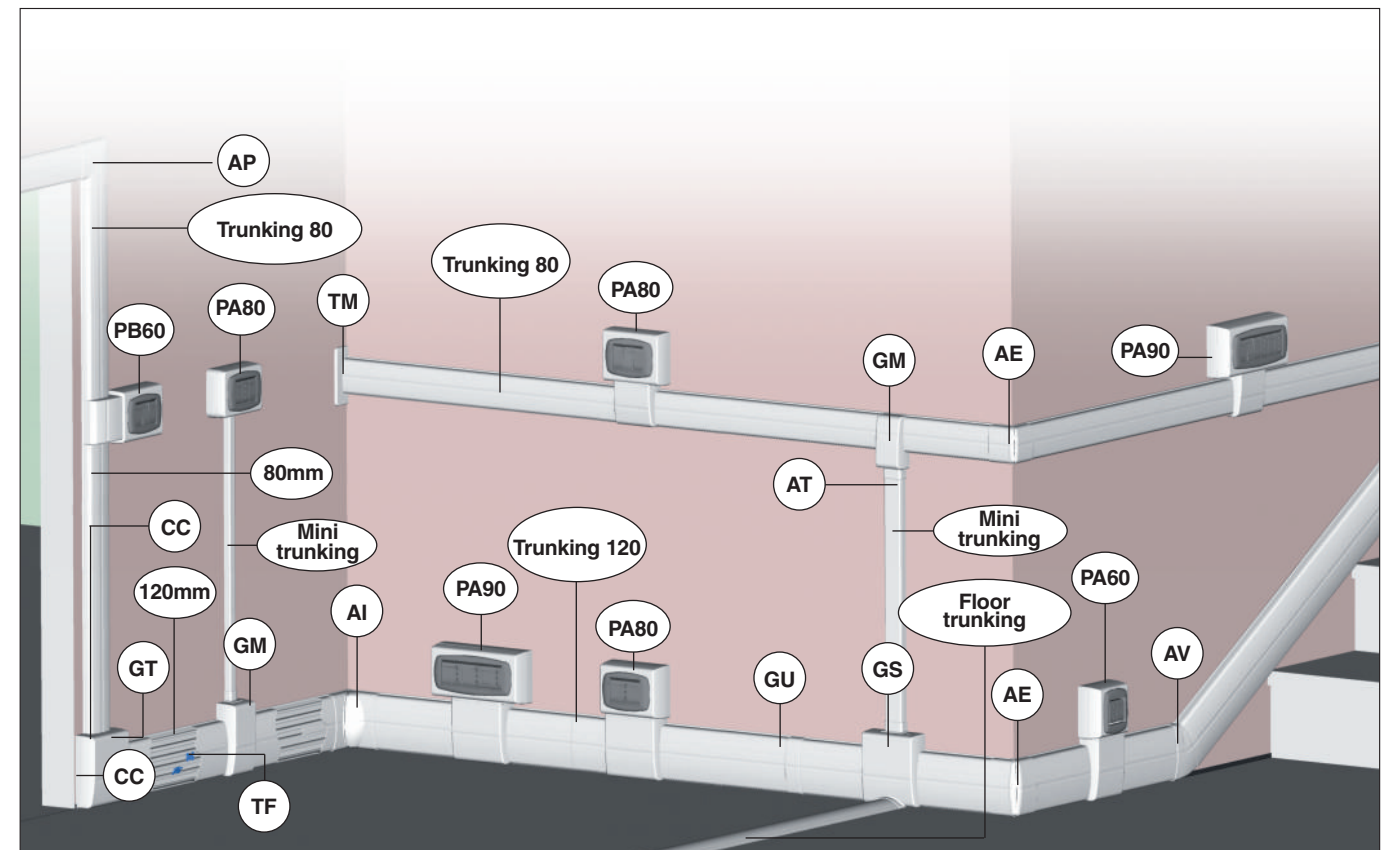
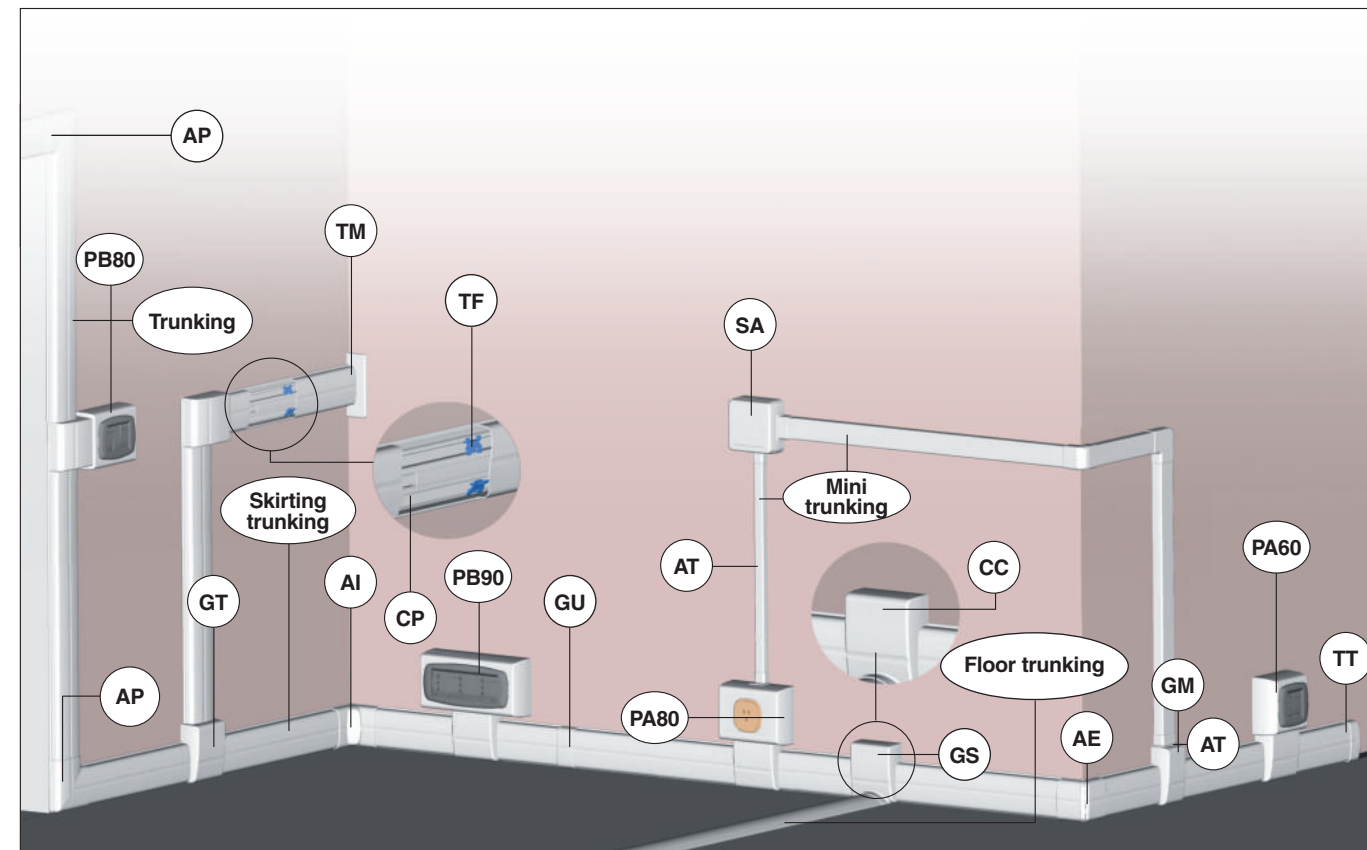
- | | |
|---|---|
| AP - Flat angle | GS - Floor trunking joint |
| AI - Variable internal angle | TT - End cap |
| AE - Variable external angle | TF - Cable retainer |
| CC - Closing cap | TM - Wall passage terminal |
| GT - Flat tees | PA - Box for switches or sockets |
| GU - Joint cover | PB - Box for switches or sockets |
| GM - Flat tees for mini-trunking | SA - Junction box |
| GT - Flat tees | AT - End adaptor (mini-trunking) |

120mm VERSION

Offering excellent aesthetic and functional integration with skirting version 120-mm and with mini-trunking by Scame, Wado series.

KEY

- | | |
|---|---|
| AP - Flat angle | GS - Floor trunking joint |
| AI - Variable internal angle | TT - End cap |
| AE - Variable external angle | TF - Cable retainer |
| CC - Closing cap | TM - Wall passage terminal |
| GT - Flat tees | PA - Box for switches or sockets |
| GU - Joint cover | PB - Box for switches or sockets |
| GM - Flat tees for mini-trunking | AT - End adaptor (mini-trunking) |
| GT - Flat tees | |



> DIMENSIONS

AP - FLAT ANGLE

| | A | B | C | D | E |
|-----|----|----|----|----|---|
| 80 | 24 | 78 | 98 | 10 | / |
| 120 | / | / | / | / | / |

AI - VARIABLE INTERNAL ANGLE

| | A | B | C | D | α |
|-----|-----|----|----|----|----------|
| 80 | 78 | 68 | 24 | 40 | 80°/120° |
| 120 | 118 | 82 | 29 | 51 | 80°/120° |

AE - VARIABLE EXTERNAL ANGLE

| | A | B | C | D | α |
|-----|-----|----|----|----|----------|
| 80 | 78 | 67 | 24 | 27 | 70°/135° |
| 120 | 118 | 73 | 29 | 27 | 70°/135° |

TM - WALL PASSAGE TERMINAL

| | A | B | C | D | E |
|-----|---|----|-----|---|-----|
| 80 | 5 | 42 | 120 | / | 78 |
| 120 | 5 | 48 | 160 | / | 118 |

TT - END CAP

| | A | B | C | D | E |
|-----|----|----|-----|----|---|
| 80 | 24 | 31 | 78 | 14 | 2 |
| 120 | 29 | 31 | 118 | 16 | 2 |

TE - ACCESSORY FOR ELECTRIC OUTLET

| | A | B | C | D | E |
|-----|----|-----|----|----|---|
| 80 | 39 | 100 | 67 | 72 | / |
| 120 | 39 | 100 | 67 | / | / |

GU - JOINT COVER

| | A | B | C | D | E |
|-----|----|-----|----|----|---|
| 80 | 24 | 78 | 42 | 15 | / |
| 120 | 29 | 118 | 42 | 15 | / |

GM - FLAT TEES FOR MINI-TRUNKING

| | A | B | C | D | E |
|-----|----|----|-----|----|---|
| 80 | 39 | 60 | 109 | 45 | / |
| 120 | 45 | 80 | 149 | 51 | / |

GT - FLAT TEES

| | A | B | C | D | E |
|-----|----|-----|-----|-----|---|
| 80 | 39 | 92 | 109 | 72 | / |
| 120 | 45 | 130 | 149 | 101 | / |

PA - BOX FOR WIRING ACCESSORIES WITH 80mm CENTRES

| | A | B | C | D | E | F |
|-----|----|-----|-----|-----|----|----|
| 80 | 53 | 108 | 196 | 72 | 50 | 50 |
| 120 | 53 | 108 | 236 | 104 | 50 | 50 |

PA - BOX FOR WIRING ACCESSORIES 83.5mm CENTRES

| | A | B | C | D | E | F |
|-----|-------|-----|-----|-----|-----|----|
| 80 | 43/53 | 105 | 196 | 72 | 100 | 50 |
| 120 | 53 | 141 | 236 | 104 | 100 | 50 |

GS - FLAT TEES FOR FLOOR TRUNKING

| | A | B | C | D | F |
|-----|----|-----|-----|-----|----|
| 80 | 39 | 92 | 109 | 72 | 10 |
| 120 | 45 | 130 | 149 | 101 | 10 |

CC - CLOSING CAP

| | A | B | C | D | E |
|-----|---|----|-----|---|---|
| 80 | 4 | 30 | 78 | / | / |
| 120 | 5 | 34 | 118 | / | / |

TF - CABLE RETAINER

PB - BOX FOR WIRING ACCESSORIES WITH VERTICAL 83.5 CENTRES

| | A | B | C | D | E | F |
|-----|-------|-----|-----|----|----|-----|
| 80 | 43/53 | 108 | 230 | 72 | 50 | 100 |
| 120 | / | / | / | / | / | / |

PA - BOX FOR WIRING ACCESSORIES WITH 120mm CENTRES

| | A | B | C | D | E | F |
|-----|----|-----|-----|-----|-----|----|
| 80 | 53 | 218 | 196 | 72 | 100 | 50 |
| 120 | 53 | 218 | 236 | 104 | 170 | 50 |

(Dimensions in mm)

(Dimensions in mm)