

> ENCLOSURE FOR WIRING ACCESSORIES



> REFERENCE STANDARDS

EN 60670-1
Boxes and enclosures for electrical accessories for household and similar fixed electrical installations
Part 1: general requirements

> QUALITY MARKS



> TECHNICAL CHARACTERISTICS

Protection degree:	IP40 - IP55
Operating temperature according to the reference standard:	-5°C+35°C
Max. operating temperature:	60°C
Glow Wire test:	650°C
Material:	Engineering plastic
IK degree at 20°C:	IK06
Total insulation :	Yes
Colour:	Grey RAL 7035

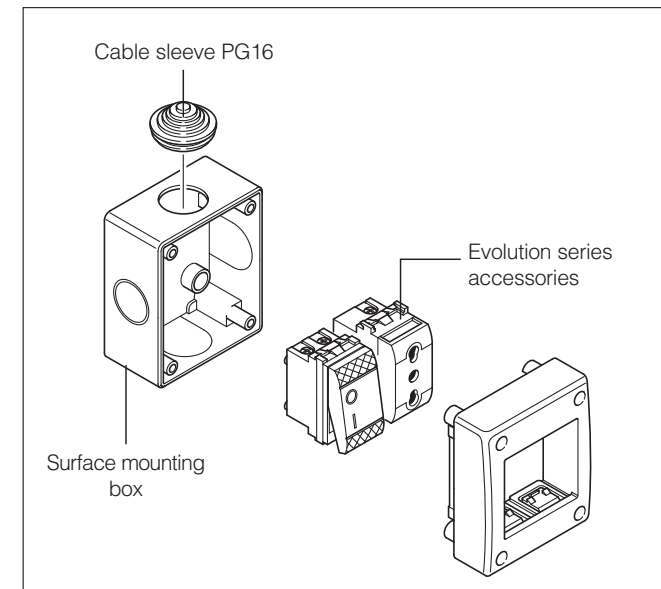
> VERSIONS

	Surface mounting enclosure - IP40
	Surface mounting enclosure - IP55
	Flush mounting enclosure - IP55

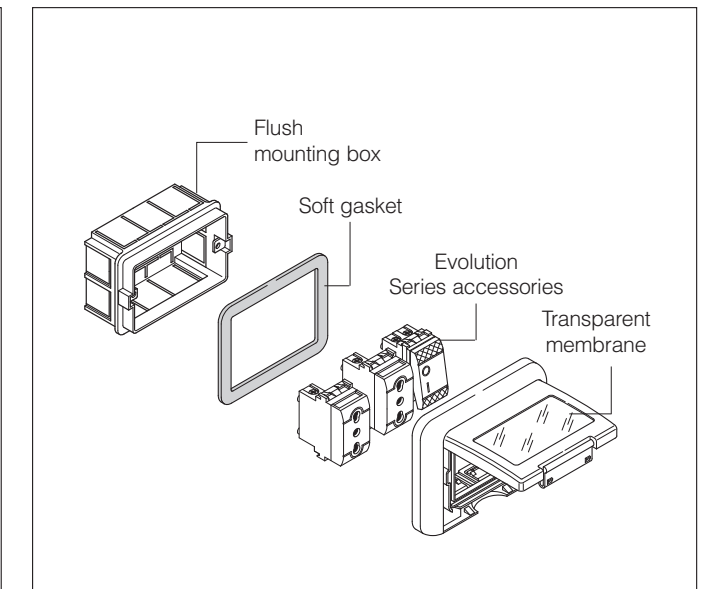
> BEHAVIOUR WITH CHEMICAL AND ATMOSPHERIC AGENTS

Saline solution	Acids		Bases		Solvents				Mineral oil	UV rays
	Concentrated	Diluted	Concentrated	Diluted	Hexane	Benzol	Acetone	Alcohol		
Resistant	Limited Resistance	Resistant	Limited Resistance	Resistant	Not Resistant	Not Resistant	Not Resistant	Limited Resistance	Resistant	Resistant

> EXAMPLES OF INSTALLATION



Surface mounting enclosure - IP40.



Flush mounting enclosure - IP55.

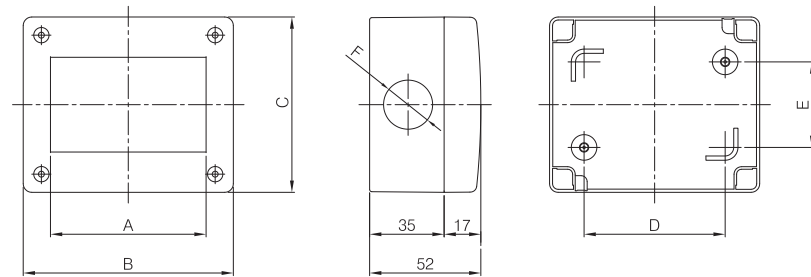
> APPLICATION EXAMPLES



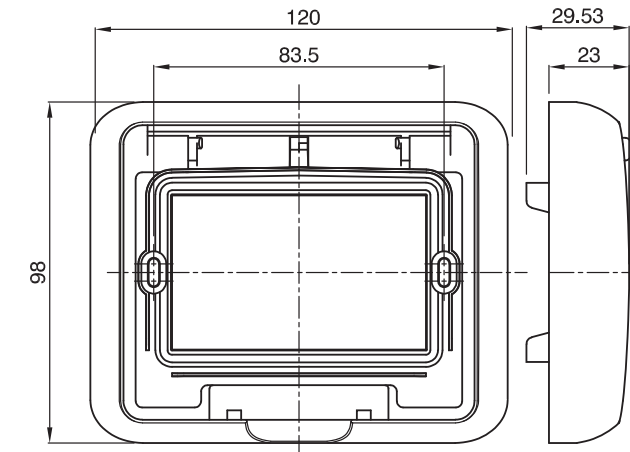
> DIMENSIONS

SURFACE MOUNTING ENCLOSURE IP40

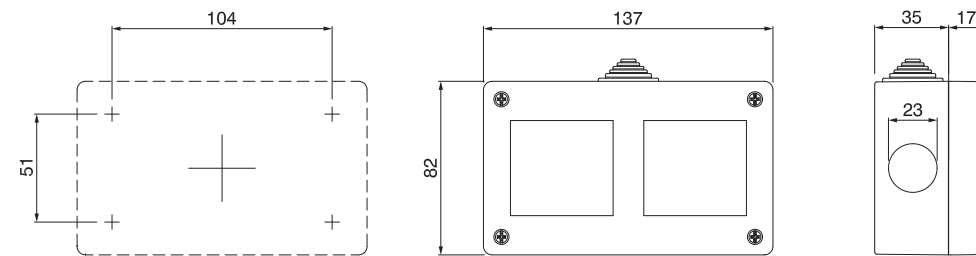
	136.4121	136.4122	136.4123
	1 modules	2 modules	3 modules
A	68	68	98
B	82	82	82
D	40	40	66
E	40	40	40
F	N°4 Ø23	N°4 Ø23	N°4 Ø23



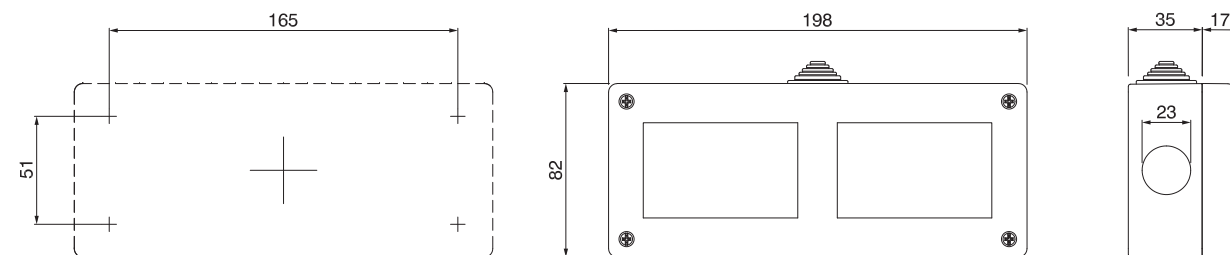
FLUSH MOUNTING ENCLOSURE IP55



COD. 136.4124

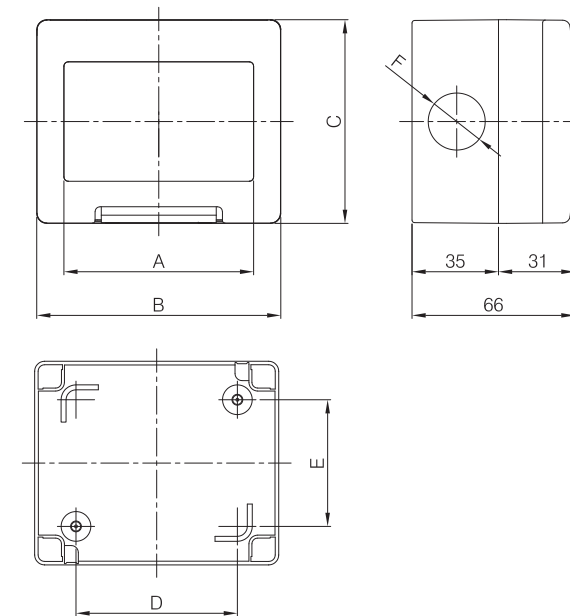


COD. 136.4126

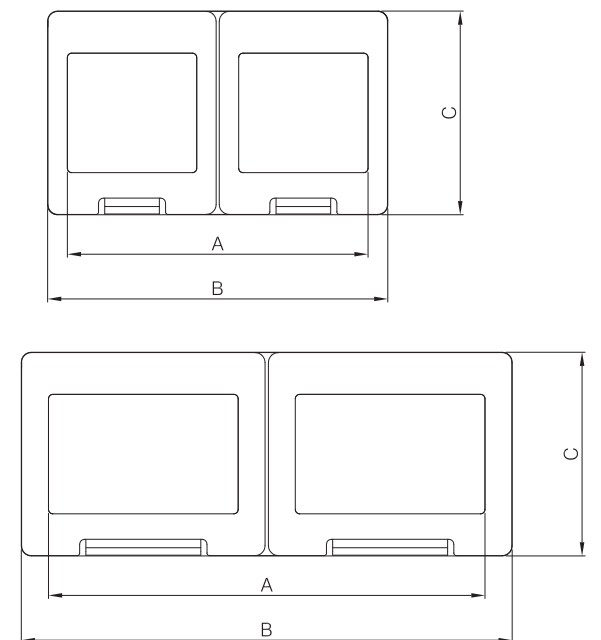


(Dimensions in mm)

SURFACE MOUNTING ENCLOSURE IP55



	136.5121	136.5122	136.5123	136.5124	136.5126
	1 modules	2 modules	3 modules	4 (2+2) modules	6 (3+3) modules
A	68	68	98	137	198
B	82	82	82	82	82
D	40	40	66	104	164.7
E	40	40	40	40	40
F	N°4 Ø23	N°4 Ø23	N°4 Ø23	N°11 Ø23	N°11 Ø23



(Dimensions in mm)