

UNIBOX Series

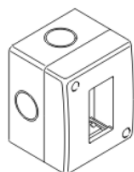
Enclosures for wiring accessories

No. Reference SERIES

136

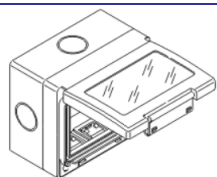


Versions



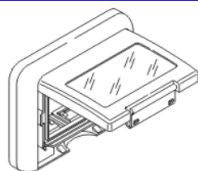
Surface mounting enclosure – IP40

1/2/3 gang



Surface mounting enclosure – IP55

1/2/3/2+2/3+3 gang



Flush mounting enclosure – IP55

3 gang

Reference standards

Standards: **EN 60670**

Marking

Marking: **CE Marking**

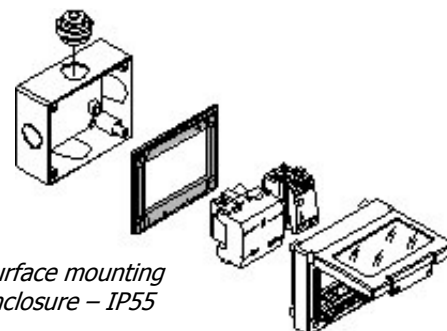


Quality marks



TECHNICAL characteristics:

Protection degree: **IP40-IP55**
 Operating temperature according to the reference standard: **-25°C+60°C**
 Max. operating temperature: **60°C**
 Glow Wire test: **650°C**
 Material: **Engineering plastic**
 IK degree at 20°C: **-**
 Double insulation : **YES**
 Colour: **Grey RAL 7035**



Behaviour with CHEMICAL and ATMOSPHERIC AGENTS

Saline solution	Acids		Bases		Solvents				Mineral oil	UV rays
	Concentrated	Diluted	Concentrated	Diluted	Hexane	Benzol	Acetone	Alcohol		
RESISTANT	LIMITED RESISTANCE	RESISTANT	LIMITED RESISTANCE	RESISTANT	NOT RESISTANT	NOT RESISTANT	NOT RESISTANT	LIMITED RESISTANCE	RESISTANT	RESISTANT