



## > DOMESTIC CABLE REELS - TV AND TELEPHONE



## > VERSIONS

-  TRIS Series - 130  
- TV and telephone version
-  TRIS Series - 150  
- TV and telephone version

## > TECHNICAL CHARACTERISTICS

Operating temperature:	<b>-5°C+40°C</b>
Max. operating temperature:	<b>60°C</b>
Glow Wire test:	<b>650°C</b>
Material:	<b>Engineering plastic</b>
Colour:	<b>Petrol Blue/Water green</b> <b>Petrol Blue/Light blue</b>

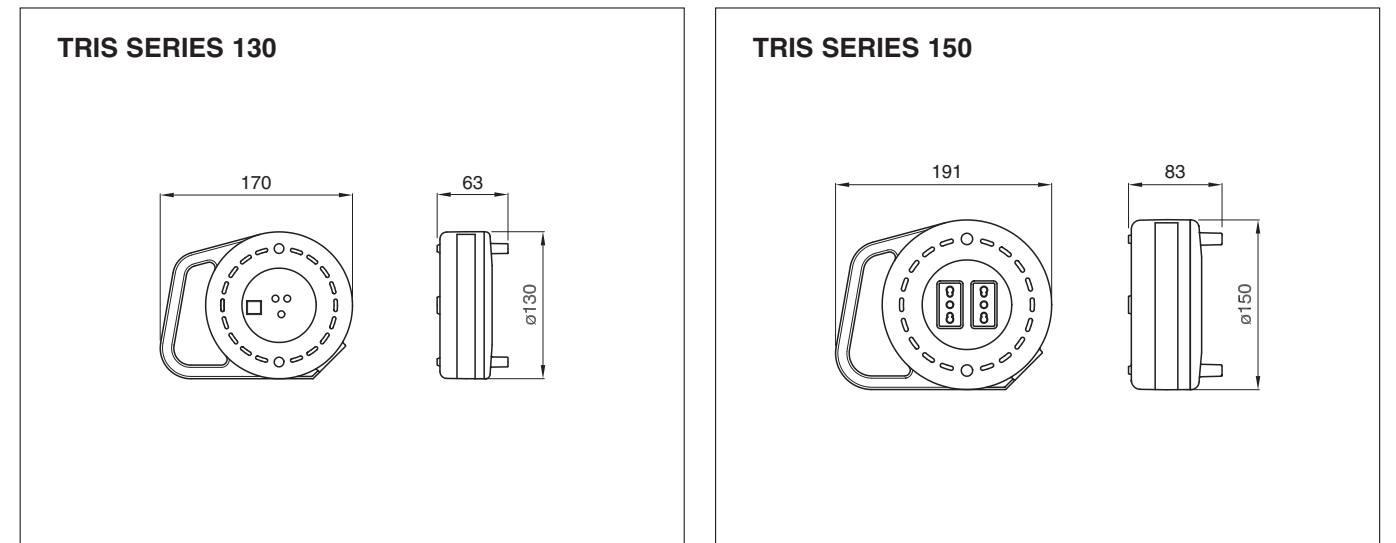
## > PRACTICAL ADVICE

- Do not use in places where there is danger of explosion or fire.
- When in use the cable should be extended on the ground or the floor avoiding wear and tear or damage (crushing caused by heavy loads or vehicles passing over the cable for example). If necessary suitable mechanical protection should be used.
- After use rewind the cable carefully back onto the reel.
- Periodically check the condition of the cable for example (there should be no signs of wear, compression or cracks) and test the phase and earth conductors for conductivity.

## > BEHAVIOUR WITH CHEMICAL AND ATMOSPHERIC AGENTS

Saline solution	Acids		Bases		Solvents				Mineral oil	UV rays
	Concentrated	Diluted	Concentrated	Diluted	Hexane	Benzol	Acetone	Alcohol		
Resistant	Limited Resistance	Not Resistant	Limited Resistance	Limited Resistance	Not Resistant	Not Resistant	Not Resistant	Limited Resistance	Limited Resistance	Resistant

## > DIMENSIONS



(Dimensions in mm)

## > APPLICATION EXAMPLES



The double socket (RJ and 3 pole TELECOM Italia standard) means that 2 appliances can be connected in parallel, such as a telephone, answer machine, fax, modem. It also allows for the use of telephones with a 3 pole Telecom plug or with a RJ connector of the type 6/2 connected to two wires.



**TV socket:** IEC connector with a diameter of 9.5 mm for coaxial cable.