

> DOMESTIC CABLE REELS - ENERGY



> VERSIONS

	TRIS series - 150 - Italian standard plugs
	TRIS series - 190 - Italian standard plugs - French-German standard plugs
	TRIS series - 230 - Italian standard plugs - French-German standard plugs

> REFERENCE STANDARDS

EN 61242
Electrical accessories cable reels for household and similar purposes

> QUALITY MARKS



> TECHNICAL CHARACTERISTICS

Rated current:	10A-16A
Rated voltage:	250V~
Frequency:	50Hz
Insulating voltage:	250V~
Protection degree:	IP20D
Operating temperature according to the reference standard:	-5°C+40°C
Max. operating temperature:	40°C
Glow Wire test:	650°C/850°C
Material:	Engineering plastic
Colour:	Petrol Blue/Orange

> PRACTICAL ADVICE

- Do not use in places where there is danger of explosion or fire.
- When in use the cable should be extended on the ground or the floor avoiding wear and tear or damage (crushing caused by heavy loads or vehicles passing over the cable for example). If necessary suitable mechanical protection should be used.
- After use rewind the cable carefully back onto the reel.
- Periodically check the condition of the cable for example (there should be no signs of wear, compression or cracks) and test the phase and earth conductors for conductivity.

> BEHAVIOUR WITH CHEMICAL AND ATMOSPHERIC AGENTS

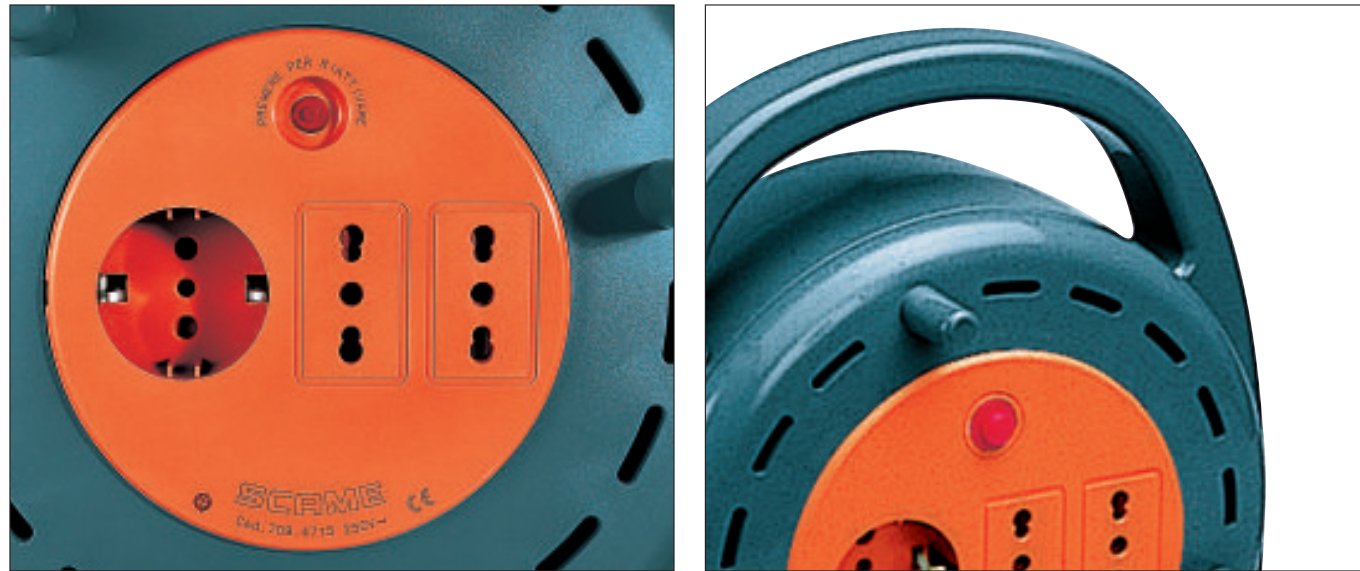
Saline solution	Acids		Bases		Solvents				Mineral oil	UV rays
	Concentrated	Diluted	Concentrated	Diluted	Hexane	Benzol	Acetone	Alcohol		
Resistant	Limited Resistance	Not Resistant	Limited Resistance	Limited Resistance	Not Resistant	Not Resistant	Not Resistant	Limited Resistance	Limited Resistance	Resistant

> POWER OUTPUT

Plug	Power supply		Max load (W)		
	Cable	Meters	⊖	⊕	Volt (V~)
10A	2X1	5	1200	2200	230
		10	110	2300	230
		15	110	2300	230
	3X1	20	110	2200	230
		5	1200	2300	230
		10	1100	2850	230
16A	3X1,5	4	1700	3200	230
		5	1200	3200	230
		10	1200	3200	230
		15	1200	3200	230
		15	1200	3200	230
		20	1200	3200	230

> APPLICATION EXAMPLES

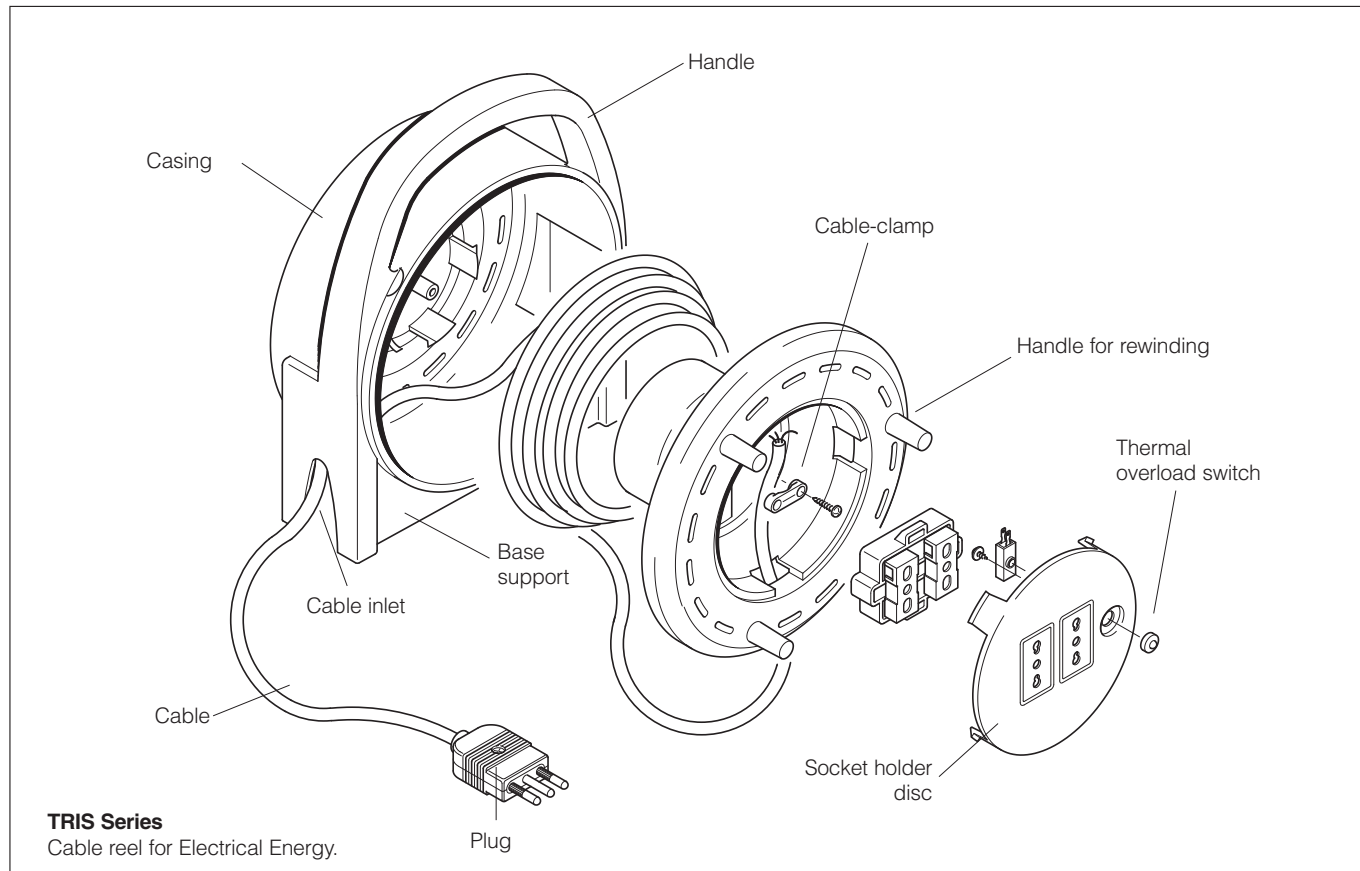




Thermal overload switch: a bimetallic device is put in close contact with the supply cable and protects it from excessive overheating resulting from the Joule effect. If activated, the device opens the circuit to the socket, interrupting the supply of electrical energy. Reactivation is only possible manually and if the temperature is below intervention threshold.

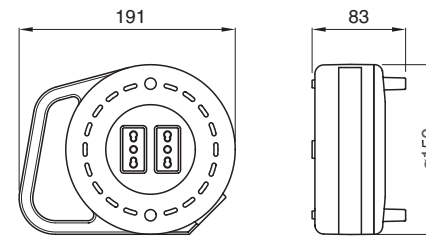
WARNING: The thermal overload switch is not an isolator switch, therefore maintenance operations are carried out after having disconnected the circuit. The thermal overload switch does not protect the load from overcurrents (overloading and short-circuiting).

Handle and knob for rewinding the cable easily.

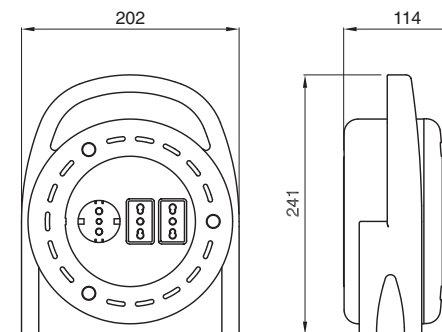


> DIMENSIONS

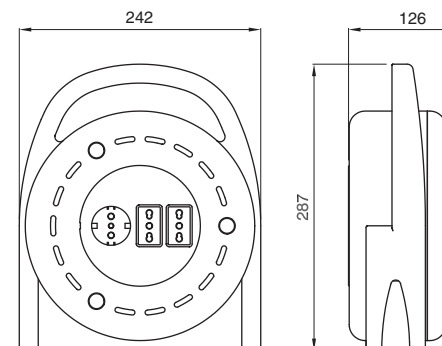
TRIS SERIES 150



TRIS SERIES 190



TRIS SERIES 230



(Dimensions in mm)