

> CONTROL AND SIGNALLING ACCESSORIES



> VERSIONS

	Control stations
	Push buttons
	Selectors
	Enbloc pilot lamp
	Contact blocks

> REFERENCE STANDARD

EN 60947-5-1
 Low-voltage switchgear and controlgear
 Part 5-1: control circuit devices and switching elements -
 Electromechanical control circuit devices

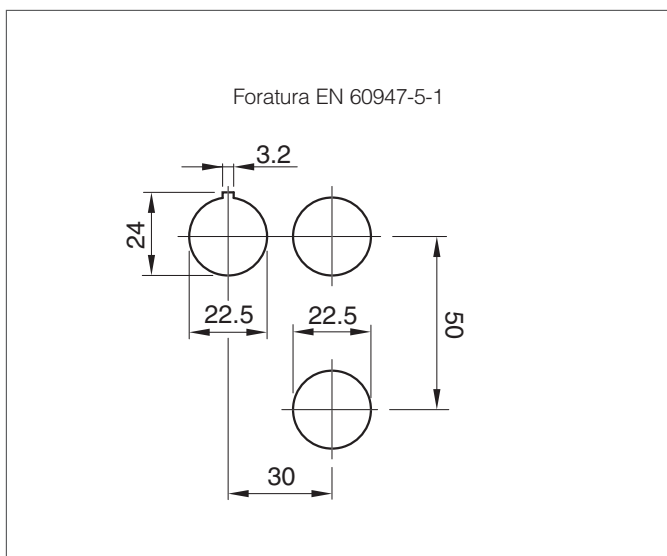
> QUALITY MARKS



> TECHNICAL CHARACTERISTICS

Protection degree:	IP65
Operating temperature according to the reference standard:	-25°C+70°C
IK degree at 20°C:	IK05 - IK09
Material:	Engineering plastic

> PERFORMANCE ACCORDING TO EN 60947-5-1



> ELECTRICAL RATING

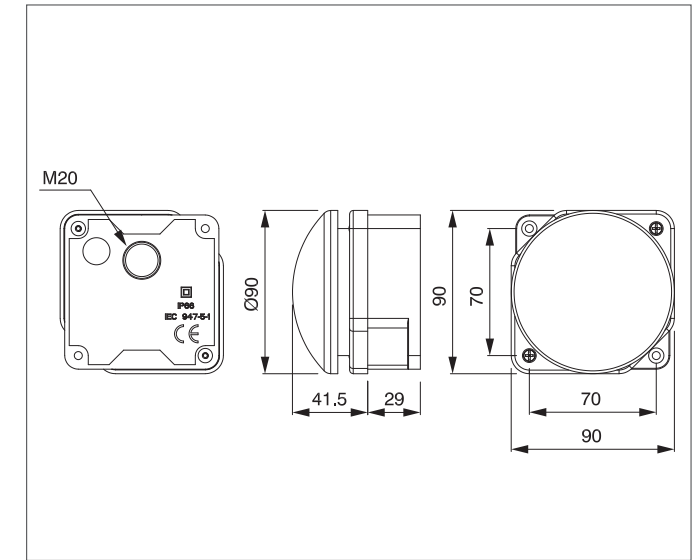
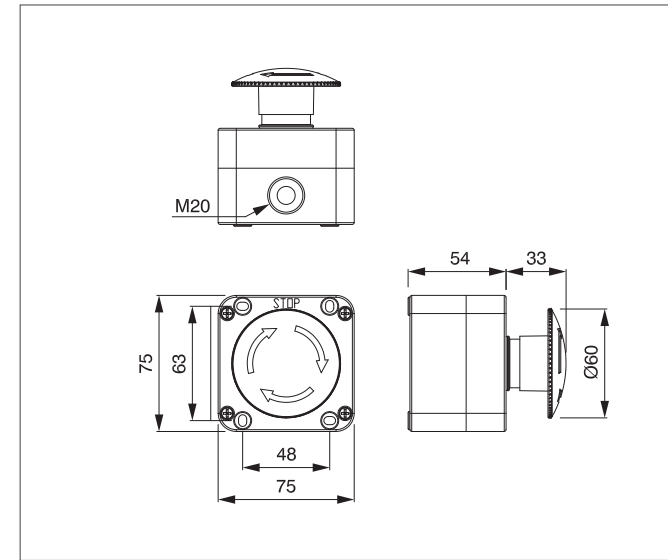
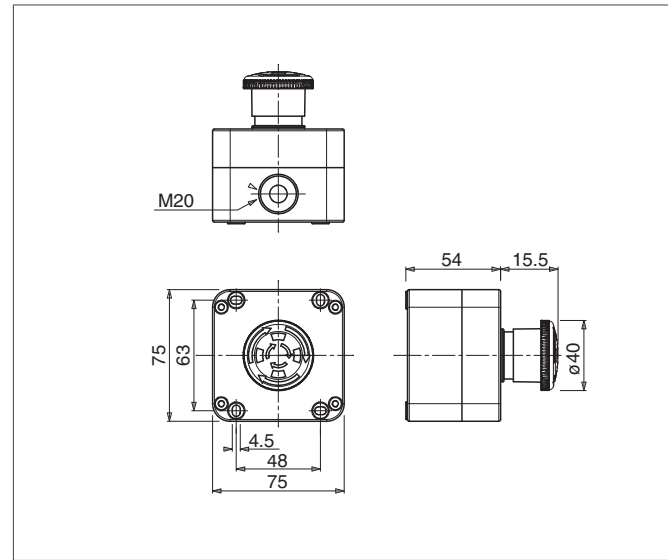
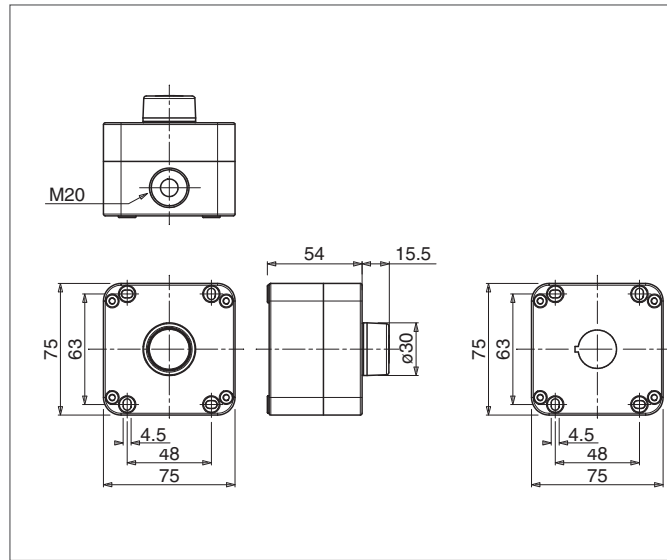
Rated thermic voltage Ith: 16A - Limits of usage as IEC 60947-5-1

Cat. AC15										
Voltage Ue	IV	24	60	110	230	400	440	500	590	
Current Ie	IA	16	12	8	6	4,5	3,5	3	1	
Cat. DC13										
Voltage Ue	IV	24	48	60	110	220				
Current Ie	IA	2	1,2	0,85	0,4	0,25				

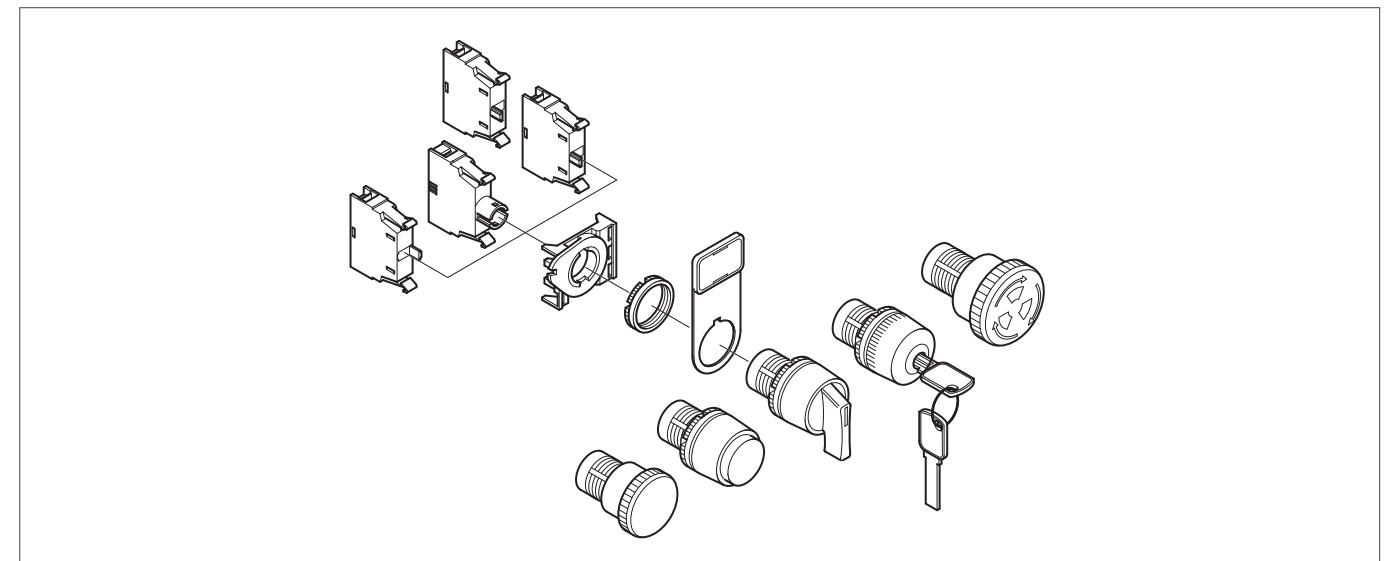
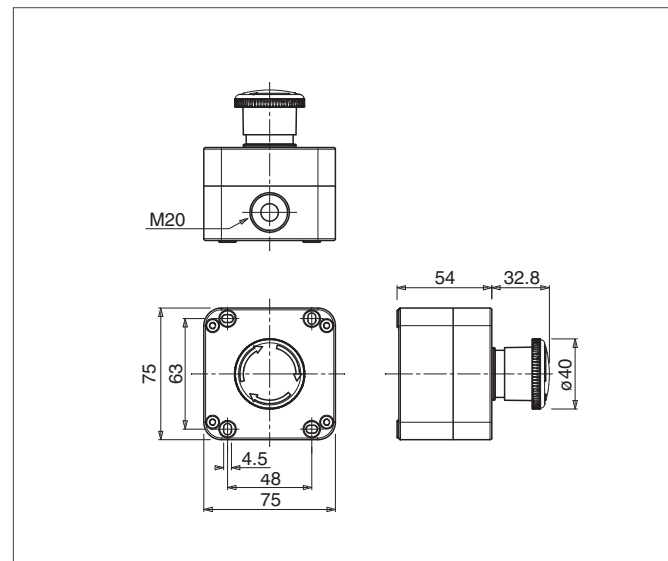
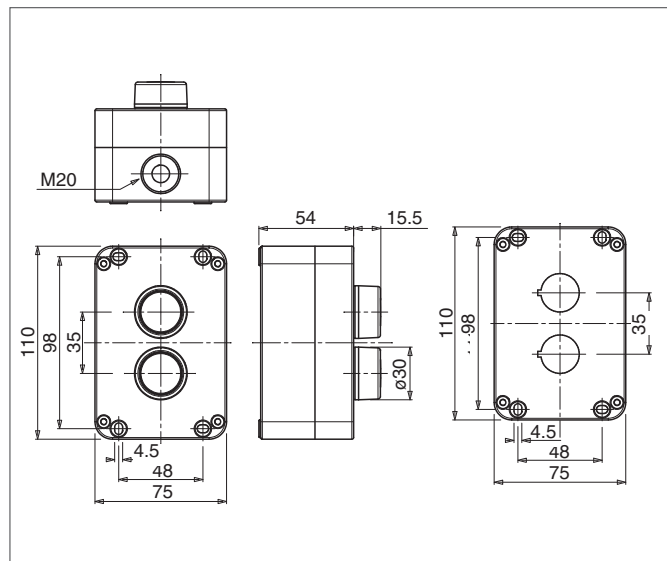
> APPLICATION EXAMPLES



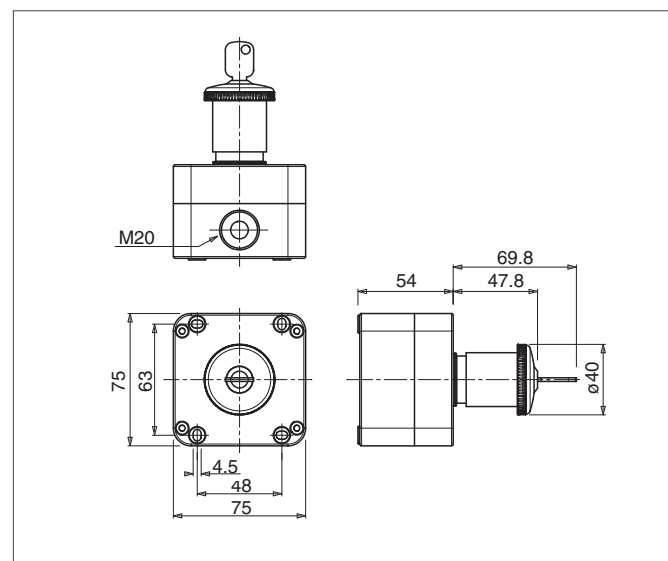
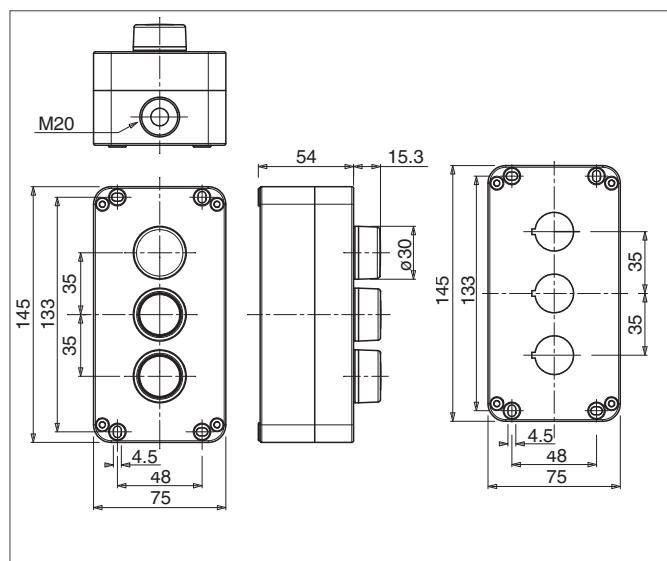
> DIMENSIONS



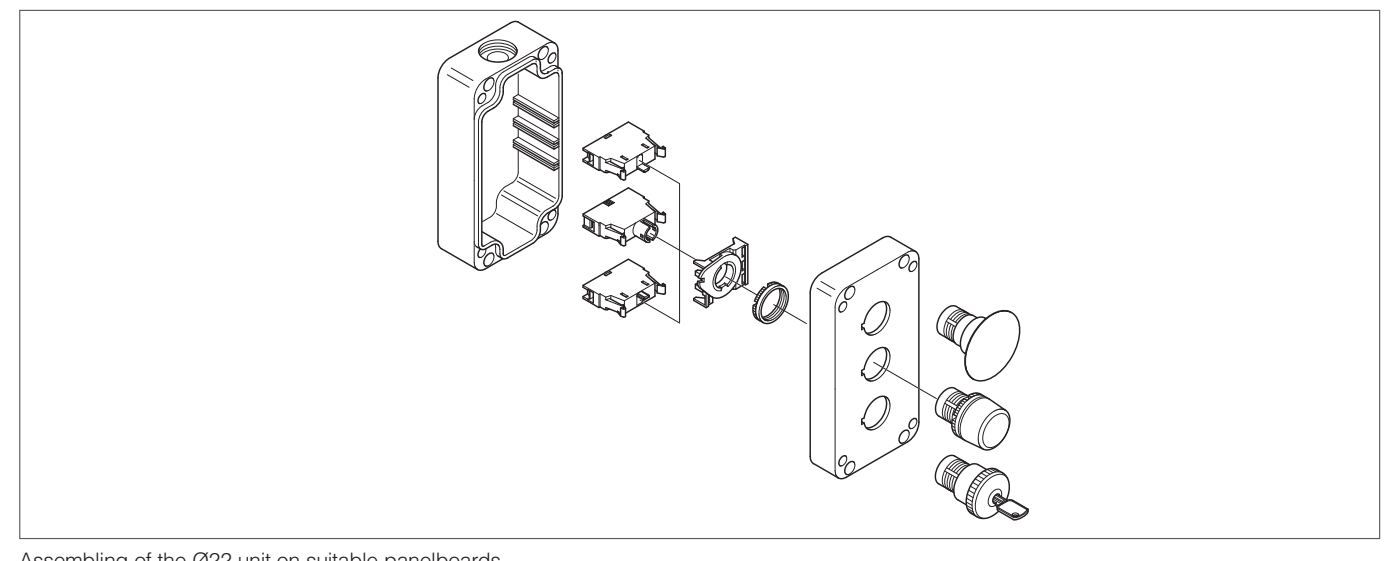
(Dimensioni in mm)



Mounting scheme for Ø22 elements on panels with thickness between 1 and 6mm with performance and EN 60947-5-1 standard.



(Dimensioni in mm)



Assembling of the Ø22 unit on suitable panelboards.