

> JUNCTION BOXES FOR ELECTRICAL INSTALLATION



> VERSIONS

	With cable sleeves - IP44 - With press-fit cover
	With cable sleeves - IP55 - With screw-down cover
	With blank sides - IP56 - With screw-down cover
	With blank sides - IP56 - Higer box with screw-down cover

> REFERENCE STANDARDS

EN 60670-1
Boxes and enclosures for electrical accessories for household and similar fixed electrical installations
Part 1: general requirements

EN 60670-22
Boxes and enclosures for electrical accessories for household and similar fixed electrical installations
Part 22: particular requirements for connecting boxes and enclosures

> QUALITY MARKS

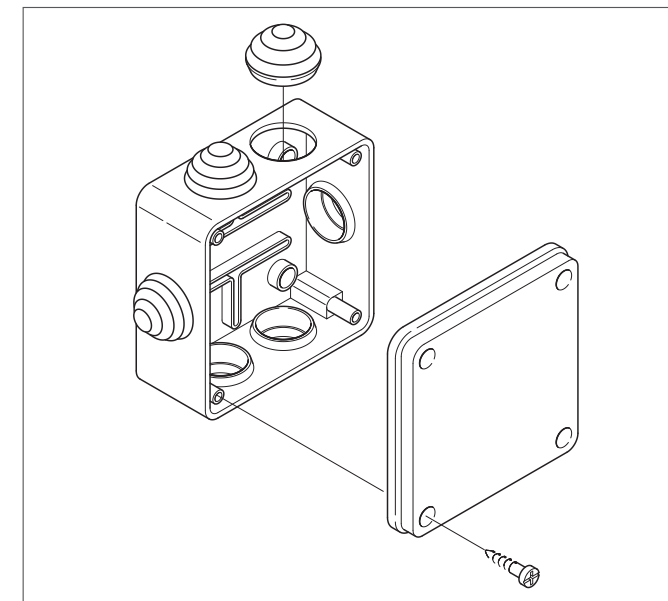


> TECHNICAL CHARACTERISTICS

Protection degree:	IP44 - IP55 - IP56
Operating temperature according to the reference standard:	-25°C +35°C
Max operating temperature:	60°C
Glow wire test:	650°C
Material:	Engineering plastic
IK degree at 20°C:	IK04 - IK08
Total insulation <input type="checkbox"/> :	Yes
Halogen free:	Yes (blank sides versions)
DIN rail fixing:	Yes
Colour:	Grey RAL 7035

> BEHAVIOUR WITH CHEMICAL AND ATMOSPHERIC AGENTS

Saline solution	Acids		Bases		Solvents				Mineral oil	UV rays
	Concentrated	Diluted	Concentrated	Diluted	Hexane	Benzol	Acetone	Alcohol		
Resistant	Limited Resistance	Resistant	Limited Resistance	Resistant	Not Resistant	Not Resistant	Not Resistant	Limited Resistance	Limited Resistance	Resistant



Surface mounting junction box 100X100 mm 50 mm high box with IP55 cable sleeves. Screw-closed cover.

> APPLICATION EXAMPLES



> HINGES KIT

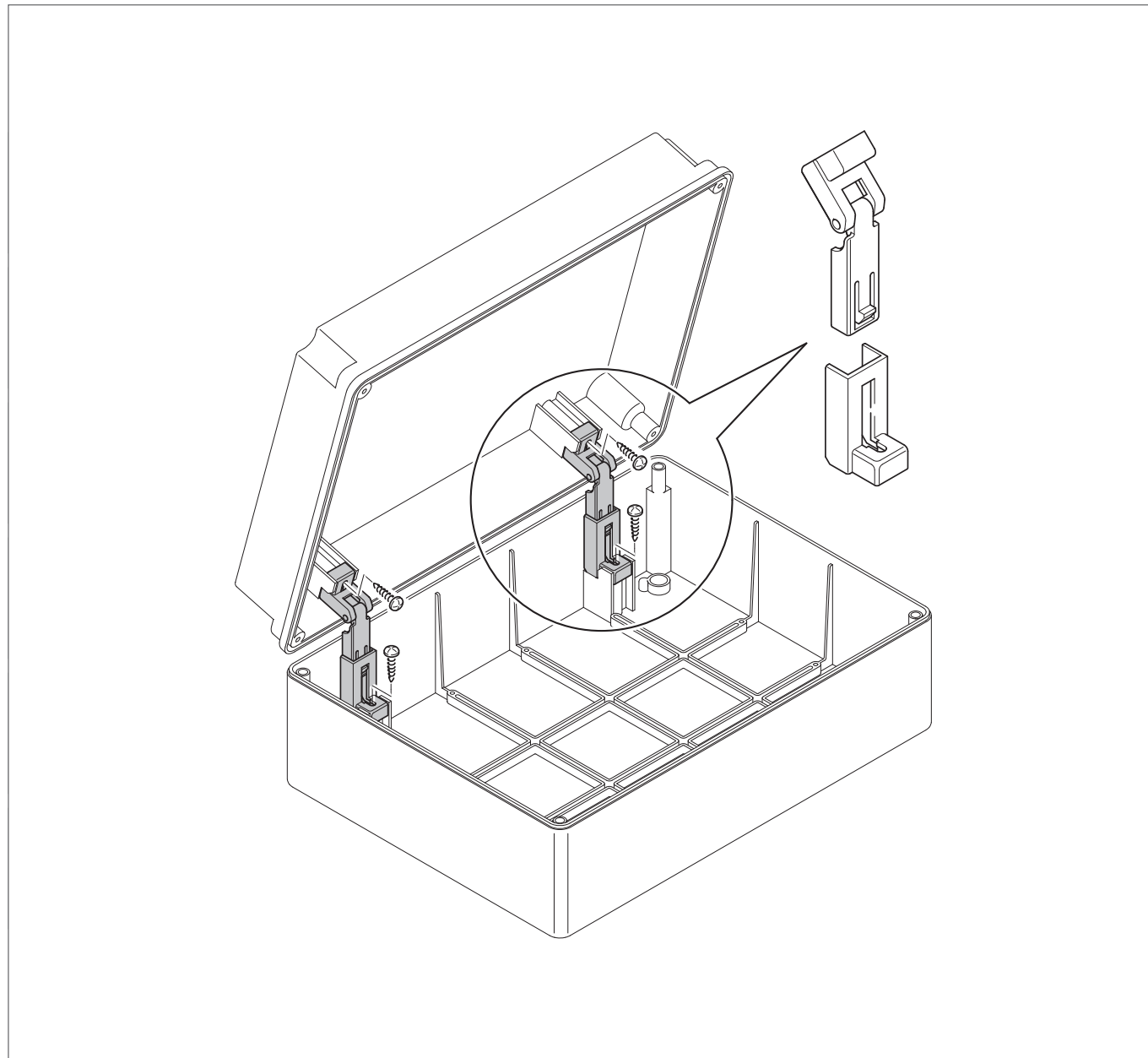
An interesting novelty for the SCABOX Series, a practical hinge kit is available that permits the book-like opening of the cover while keeping it integral with the base.

The kit can be optionally applied inside the casing in a quick and simple manner; thus the SCABOX acquires greater functionality – perfect in the installation phase, during the wiring operations, and extremely practical for the subsequent phases of maintenance and inspection, since it keeps the cover supported and hinged to the base.

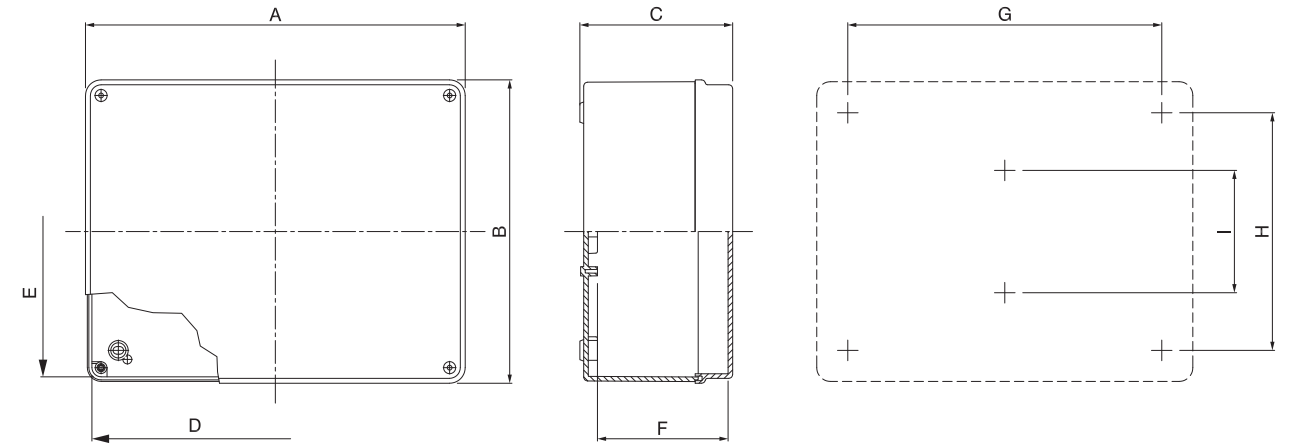
Pressing lightly on the small lever of the hinge, it is possible to remove the cover from the base and to thus separate the two elements.

With a simple locking manoeuvre it is possible to eventually replace the cover to the base.

Hinges kit (3 pieces). Item 654.0085.



> DIMENSIONS



	Internal dimensions			External dimensions			Wall mounted		
	D	E	F	A	B	C	G	H	I
	mm	mm	mm	mm	mm	mm	mm	mm	mm
680.001	Ø65	Ø65	35	Ø76	Ø73	41	/	/	32
680.002	Ø80	Ø80	40	Ø87	Ø87	46	/	/	46
680.003	80	80	40	87	87	46	/	/	46
685.004	100	100	50	108	108	58	64	64	/
685.005	120	80	50	128	88	58	84	44	/
685.006	150	110	70	158	118	76	114	74	/
685.007	190	140	70	198	148	80	155	105	/
685.008	240	190	90	248	198	100	205	155	/
685.009	300	220	120	308	228	129	265	185	/
685.010	380	300	120	388	308	129	345	265	124
685.011	450	370	130	460	380	130	300	290	160
686.204	100	100	50	108	108	58	64	64	/
686.205	120	80	50	128	88	58	84	44	/
686.206	150	110	70	158	118	76	114	74	/
686.207	190	140	70	198	148	80	155	105	/
686.208	240	190	90	248	198	100	205	155	/
686.209	300	220	120	278	228	129	265	185	/
686.210	380	300	120	388	304	129	345	265	124
686.211	450	370	130	460	380	130	300	290	160
686.407	100	100	80	108	108	88	64	64	/
686.408	240	190	125	248	198	135	205	155	/
686.409	300	220	170	308	228	179	265	185	/
686.410	380	300	170	388	308	179	345	265	124
686.411	450	370	180	460	380	180	300	290	160

(Dimensions in mm)