

## SCABOX Series

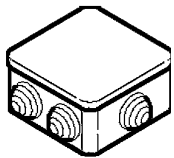
Junction boxes for electric installations

No. Reference SERIES

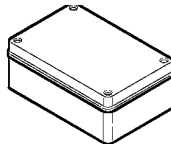
**680 – 685 – 686**



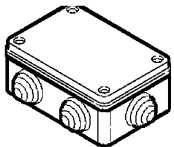
### Versions



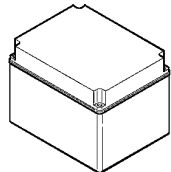
**With cable sleeves  
IP44**  
With press-fit cover



**With blank sides  
IP56**  
With screw-down cover



**With cable sleeves  
IP55**  
With screw-down cover



**With blank sides  
IP56**  
Higher box with screw-down cover

### Reference standards

Standards: **IEC 60670**

### Marking

Marking: **CE Marking**

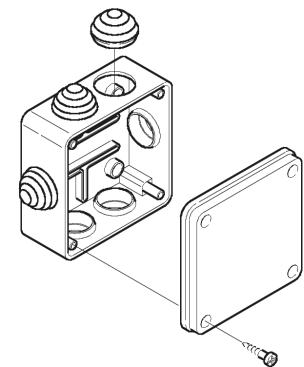


### Quality marks



### TECHNICAL characteristics:

Protection degree: **IP44–IP55–IP56**  
 Operating temperature according to the reference standard: **-25°C+60°C**  
 Max. operating temperature: **60°C**  
 Glow Wire test: **650°C**  
 Material: **Engineering plastic**  
 IK degree at 20°C: **IK04/IK08**  
 Double insulation  : **YES**  
 Halogen free: **YES (blank sides versions)**  
 DIN rail fixing: **YES**  
 Colore: **Grey RAL 7035**



Surface mounting junction box 100x100 mm  
50mm high box with IP55 cable sleeves  
Screw-closed cover.

### Behaviour with CHEMICAL and ATMOSPHERIC AGENTS

Saline solution	Acids		Bases		Solvents				Mineral oil	UV rays
	Concentrated	Diluted	Concentrated	Diluted	Hexane	Benzol	Acetone	Alcohol		
RESISTANT	LIMITED RESISTANCE	RESISTANT	LIMITED RESISTANCE	RESISTANT	NOT RESISTANT	NOT RESISTANT	NOT RESISTANT	LIMITED RESISTANCE	LIMITED RESISTANCE	RESISTANT