

ROLLER Series

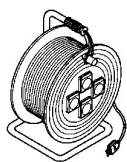
Cable reels for industrial, commercial and domestic applications

No. Reference SERIES

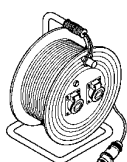
745 – 746 – 749



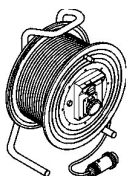
Versions



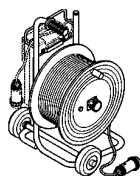
ROLLER 330 Series
For domestic applications



ROLLER 330 Series
For industrial applications



ROLLER 450 Series
With portable stand



ROLLER-BLOCK 450 Series
With wheeled portable distribution assembly stand available

Reference standards

Standards: **IEC 61242**
IEC 61316

Marking

Marking: **CE Marking** **CE**

Quality marks



Caratteristiche TECNICHE

Rated current: **16A-32A**
 Rated voltage: **230÷400V~**
 Frequency: **50Hz**
 Insulating voltage: **500/690V~**
 Protection degree: **IP20 – IP44 – IP55**
 Operating temperature according to the reference standard: **-25°C+40°C**
 Max operating temperature: **60°C**
 Glow Wire test: **650°C/850°C**
 Material: **Engineering plastic**
 IK degree at 20°C: **Roller 330: IK07**
Roller 450: IK08
 Max power output: **11.000W (ROLLER 330 Series)**
14.000W (ROLLER 450 Series)
 Cable for industrial versions: **Type H07RN-F**
(abrasion resistant rubber)
 Cable for domestic versions: **Type H05VV-F (PVC)**

Practical ADVICE

- ❖ *Do not use in placet where there is range of explosion of fire*
- ❖ *While in use the cable should be laid out flat on the ground or the floor avoiding wear and tear or damage. If necessary protect it with a suitable protective mechanism.*
- ❖ *After use always rewind the cable carefully onto the reel.*
- ❖ *Regularly check the cable for any signs of wear, compression or abrasion. Electrical conductivity of all wires and especially the ground conductor should be tested.*

ROLLER Series

Cable reels for industrial, commercial and domestic applications

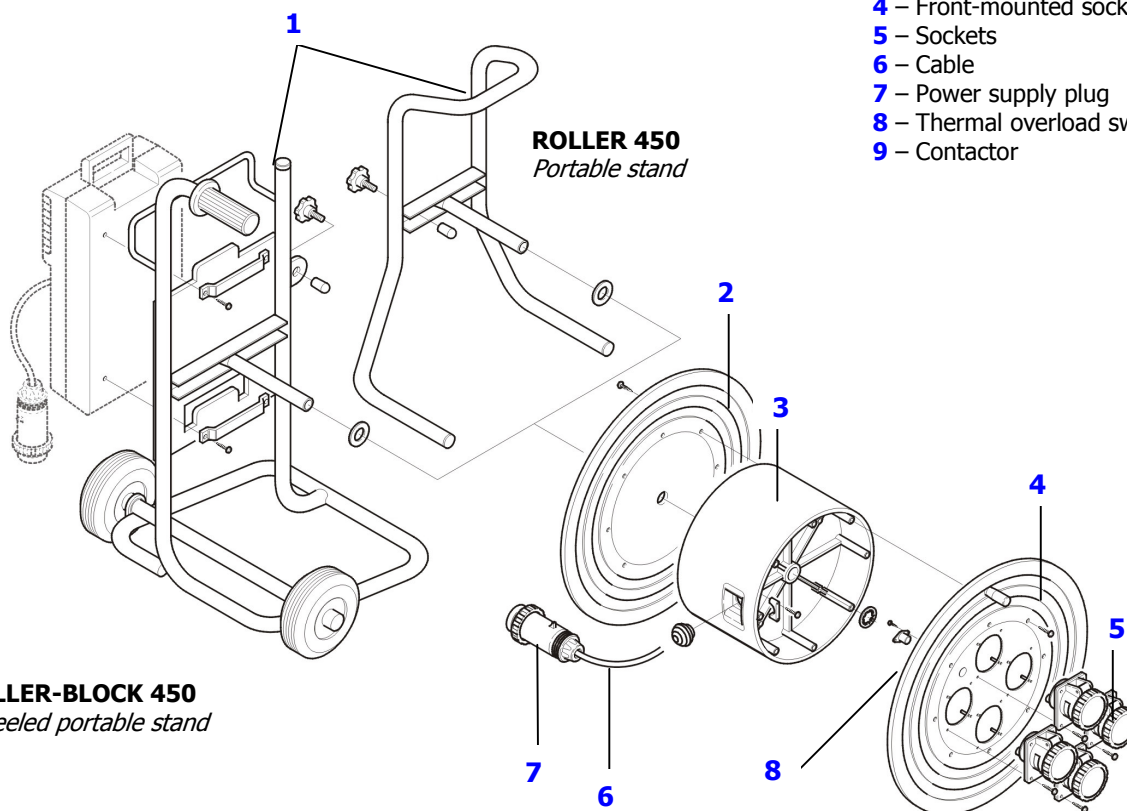
No. Reference SERIES

745 – 746 – 749



Behaviour with CHEMICAL and ATMOSPHERIC AGENTS

Saline solution	Acids		Bases		Solvents				Mineral oil	UV rays
	Concentrated	Diluted	Concentrated	Diluted	Hexane	Benzol	Acetone	Alcohol		
RESISTANT	NOT RESISTANT	NOT RESISTANT	LIMITED RESISTANCE	RESISTANT	NOT RESISTANT	NOT RESISTANT	NOT RESISTANT	LIMITED RESISTANCE	NOT RESISTANT	RESISTANT



- 1 – Portable cable reel stand and wheeled stand for distribution assemblies
- 2 – Rear-mounted disc
- 3 – Drum Ø 450mm
- 4 – Front-mounted socket-holder discs
- 5 – Sockets
- 6 – Cable
- 7 – Power supply plug
- 8 – Thermal overload switch
- 9 – Contactor

ROLLER 450
Portable stand

ROLLER-BLOCK 450
Wheeled portable stand