


> UNSWITCH SOCKET OUTLETS





> REFERENCE STANDARD

BS 1363-2
13A plugs, socket-outlets and adaptors.
Specification for 13A switched and unswitched socket-outlets

> VERSIONS

- 

Single unswitched socket 13A
- flush mounting
- surface mounting
- 

Double unswitched socket 13A
- flush mounting
- surface mounting
- 

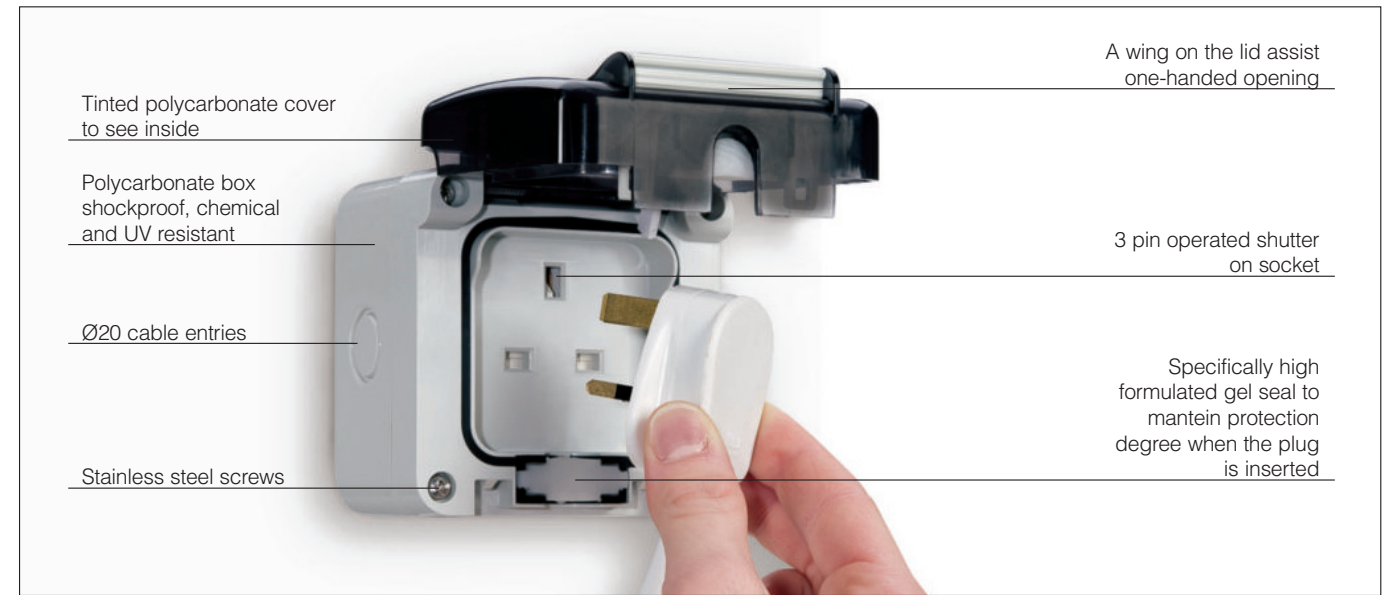
Unswitched socket 13A
+ double pole switch 20A
- flush mounting
- surface mounting

> TECHNICAL CHARACTERISTICS

Rated current:	13A
Rated voltage:	250V~
Frequency:	50Hz
Insulating voltage:	250V~
Protection degree:	IP66
Operating temperature according to the reference standard:	-5°C+60°C
Max. operating temperature:	60°C
Cabling capacity of the terminal:	3X2,5mm² 3x4mm² 3x6mm²
Glow Wire test:	850°C
Halogen free:	Yes
Material:	Engineering plastic
Cable inlets:	Top, bottom and sides M20
Colour:	Base: grey RAL 7035 Cover: tinted polycarbonate

> BEHAVIOUR WITH CHEMICAL AND ATMOSPHERIC AGENTS

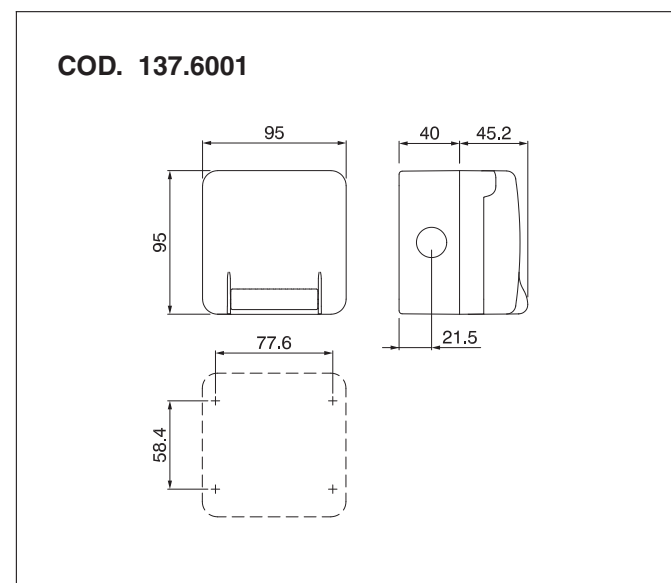
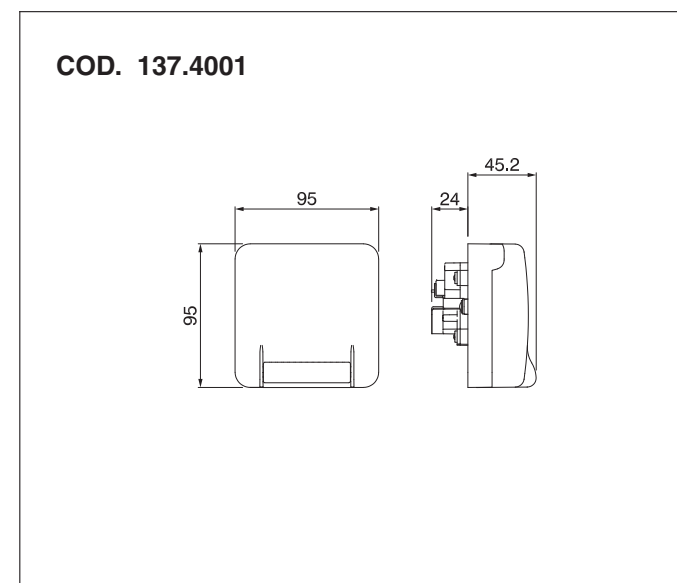
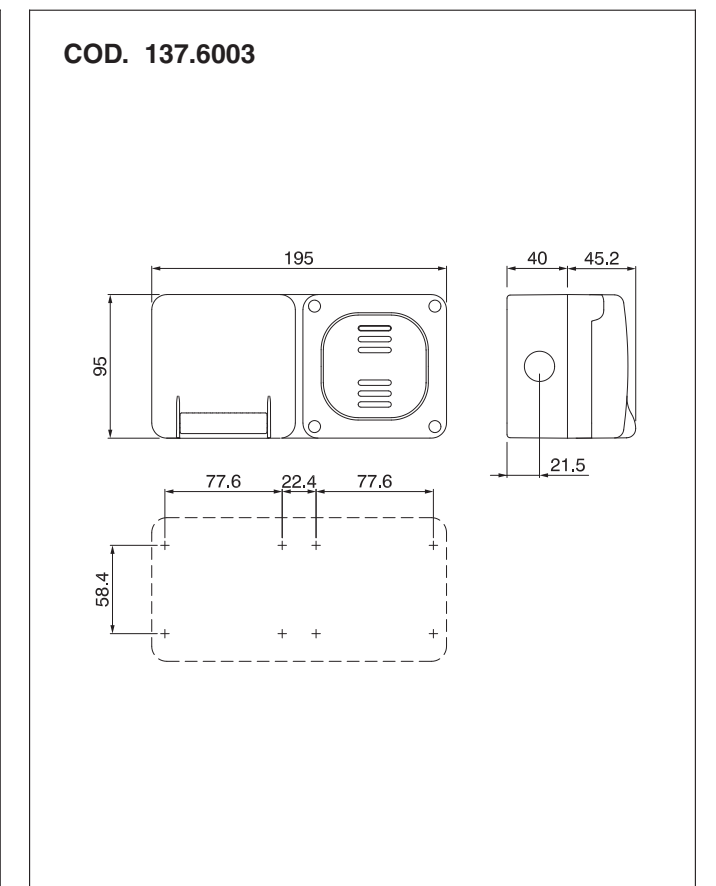
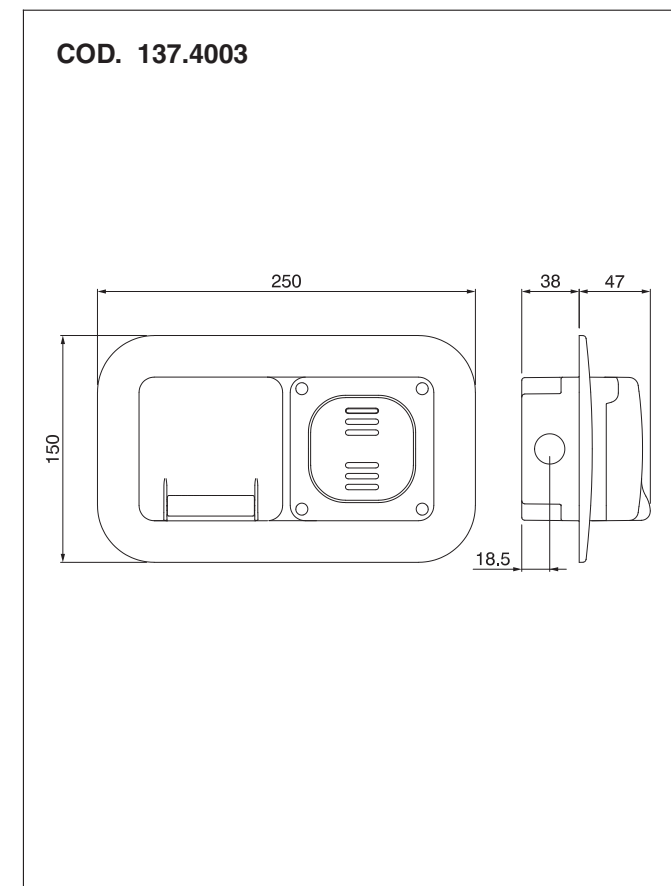
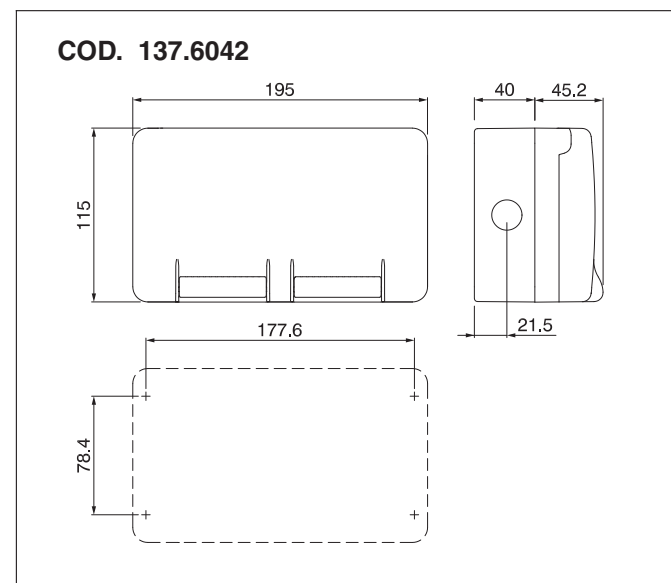
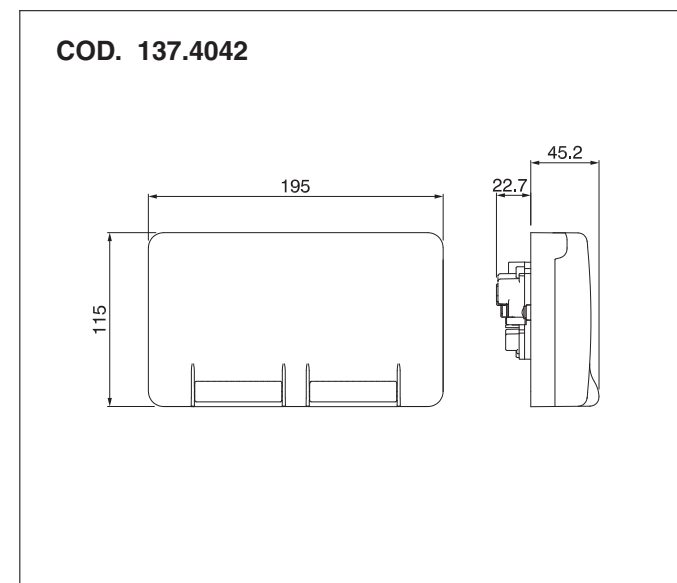
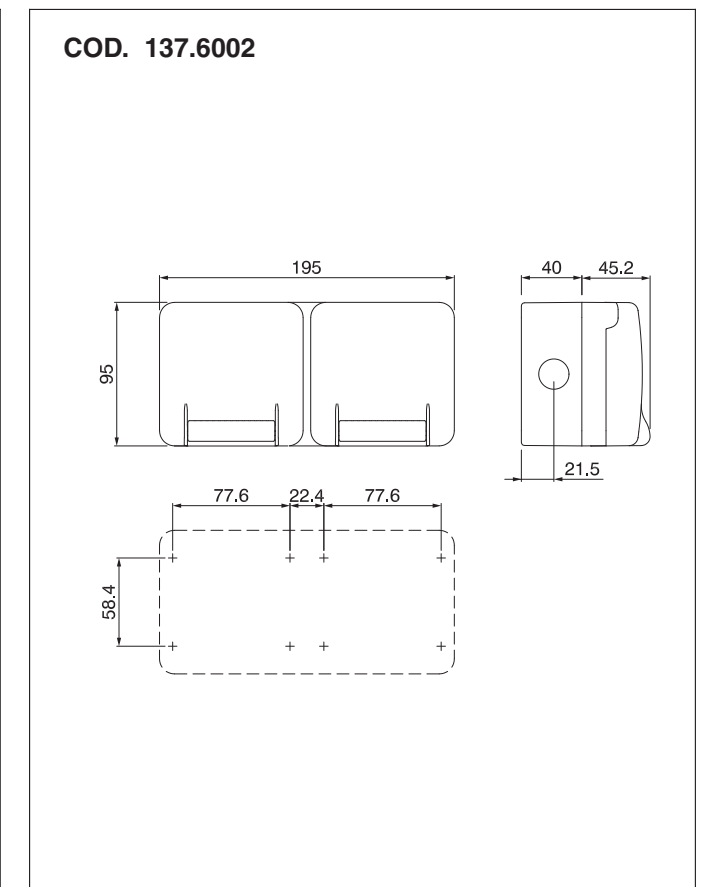
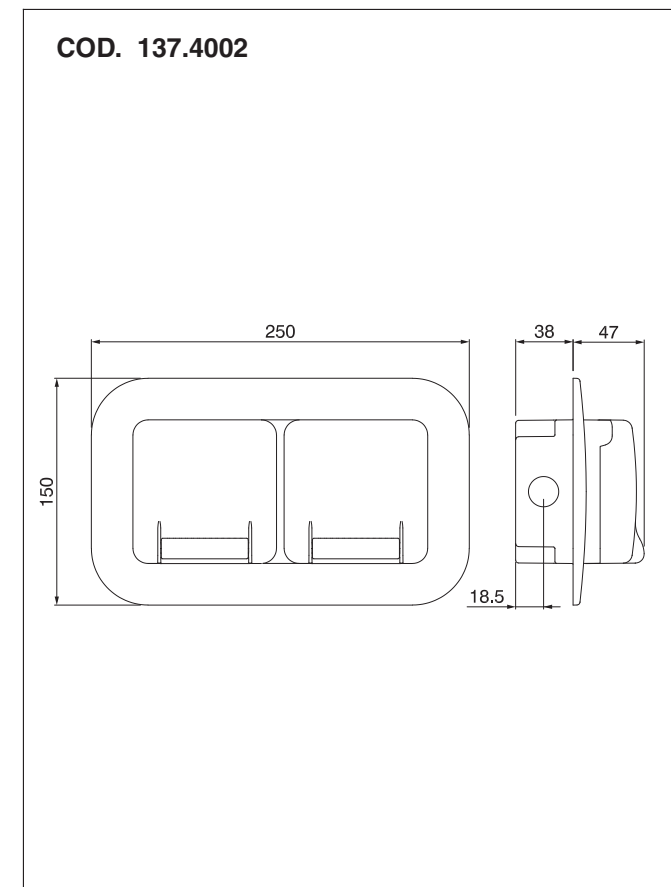
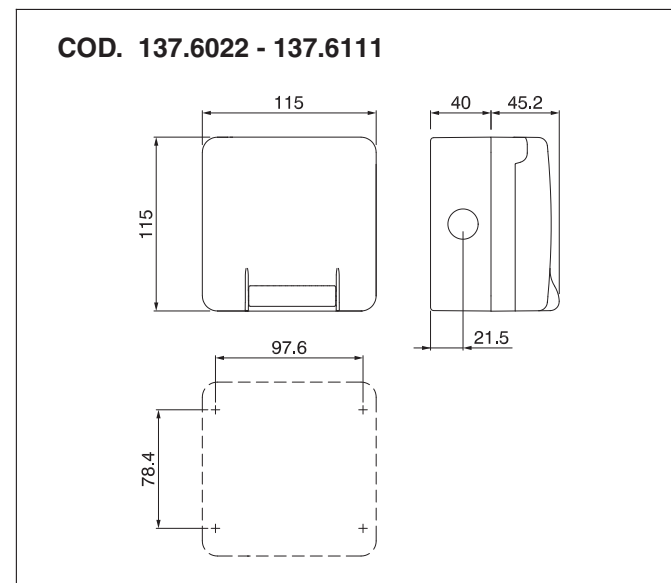
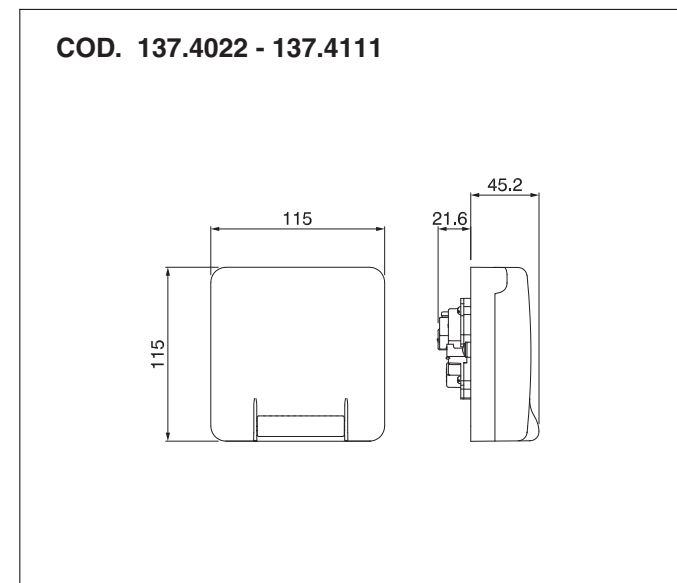
Saline solution	Acids		Bases		Solvents				Mineral oil	UV rays
	Concentrated	Diluted	Concentrated	Diluted	Hexane	Benzol	Acetone	Alcohol		
Resistant	Limited Resistance	Resistant	Limited Resistance	Resistant	Resistant	Not Resistant	Not Resistant	Resistant	Limited Resistance	Resistant



> APPLICATION EXAMPLES



> DIMENSIONS



(Dimensions in mm)

(Dimensions in mm)