

## > SWITCHED SOCKET OUTLETS





## > REFERENCE STANDARDS


**BS 1363-2**  
13A plugs, socket-outlets and adaptors.  
Specification for 13A switched and unswitched socket-outlets

**BS 546**  
Two-pole and earthing-pin plugs, socket-outlets and socket-outlet adaptors for AC (50-60Hz) circuit up to 250V

## > VERSIONS

- 

Single switchsocket 13A  
- flush mounting  
- surface mounting
- 

Single switchsocket 15A  
- flush mounting  
- surface mounting
- 

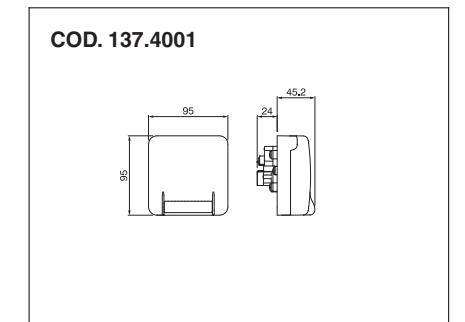
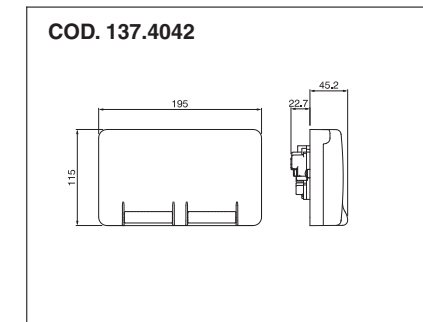
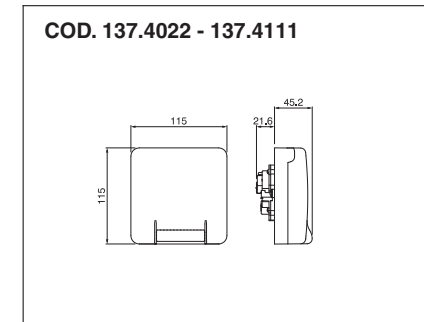
Double switchsocket 13A  
- flush mounting  
- surface mounting

## > TECHNICAL CHARACTERISTICS

Rated current:	<b>13A - 15A</b>
Rated voltage:	<b>250V~</b>
Frequency:	<b>50Hz</b>
Insulating voltage:	<b>250V~</b>
Protection degree:	<b>IP66</b>
Operating temperature according to the reference standard:	<b>-5°C+60°C</b>
Max. operating temperature:	<b>60°C</b>
Cabling capacity of the terminal:	<b>3X2,5mm<sup>2</sup> 3x4mm<sup>2</sup> 3x6mm<sup>2</sup></b>
Glow Wire test:	<b>850°C</b>
Halogen free:	<b>Yes</b>
Material:	<b>Engineering plastic</b>
IK degree at 20°C:	<b>IK07 - IK09</b>
Cable inlets:	<b>Top bottom and sides M20</b>
Colour:	<b>Base: grey RAL 7035 Cover: tinted polycarbonate</b>

## > BEHAVIOUR WITH CHEMICAL AND ATMOSPHERIC AGENTS

Saline solution	Acids		Bases		Solvents				Mineral oil	UV rays
	Concentrated	Diluted	Concentrated	Diluted	Hexane	Benzol	Acetone	Alcohol		
Resistant	Limited Resistance	Resistant	Limited Resistance	Resistant	Resistant	Not Resistant	Not Resistant	Resistant	Limited Resistance	Resistant



## > APPLICATION EXAMPLES

