

## > CONTROL DEVICE



## > REFERENCE STANDARDS

**EN 60669-1**  
Switches for household and similar fixed-electrical installation  
*Part 1: general requirements*

## > BEHAVIOUR WITH CHEMICAL AND ATMOSPHERIC AGENTS

Saline solution	Acids		Bases		Solvents				Mineral oil	UV rays
	Concentrated	Diluted	Concentrated	Diluted	Hexane	Benzol	Acetone	Alcohol		
Resistant	Limited Resistance	Resistant	Limited Resistance	Resistant	Resistant	Not Resistant	Not Resistant	Resistant	Limited Resistance	Resistant

## > VERSIONS

	One way switch single pole - flush mounting - surface mounting
	Two way switch single pole - flush mounting - surface mounting
	Double pole switch - flush mounting - surface mounting
	Bell push switch single pole - flush mounting - surface mounting

## > TECHNICAL CHARACTERISTICS

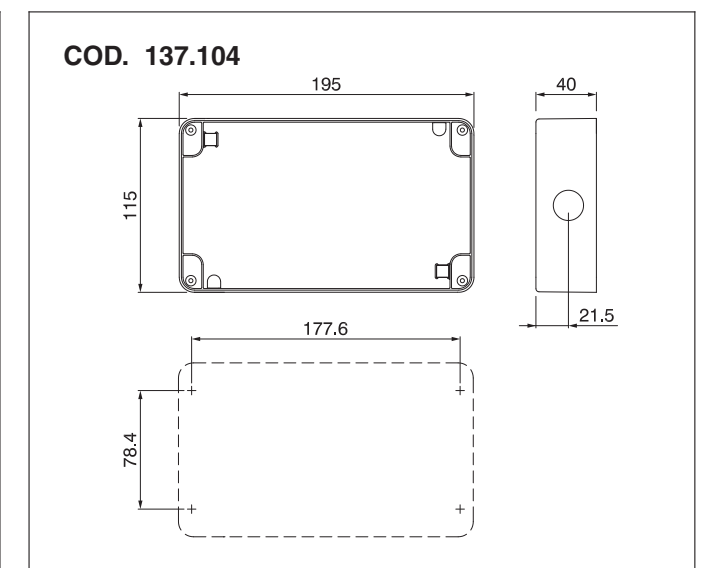
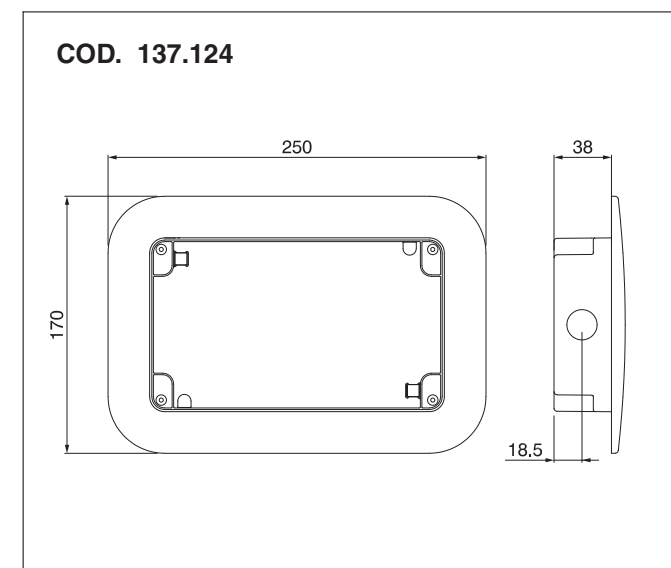
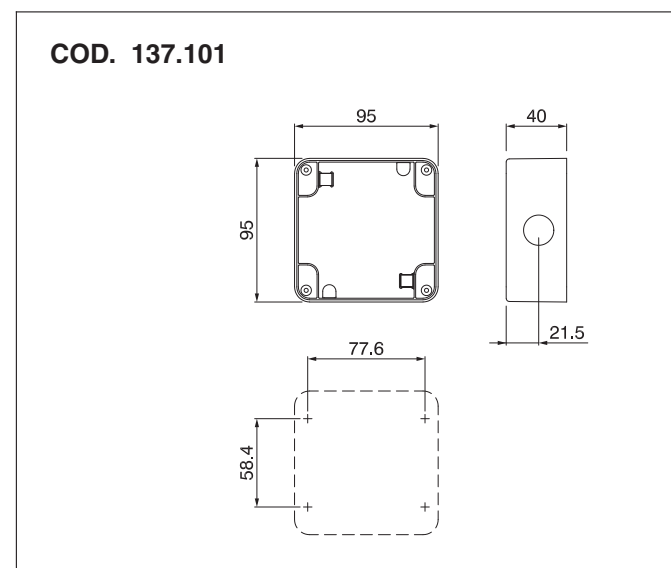
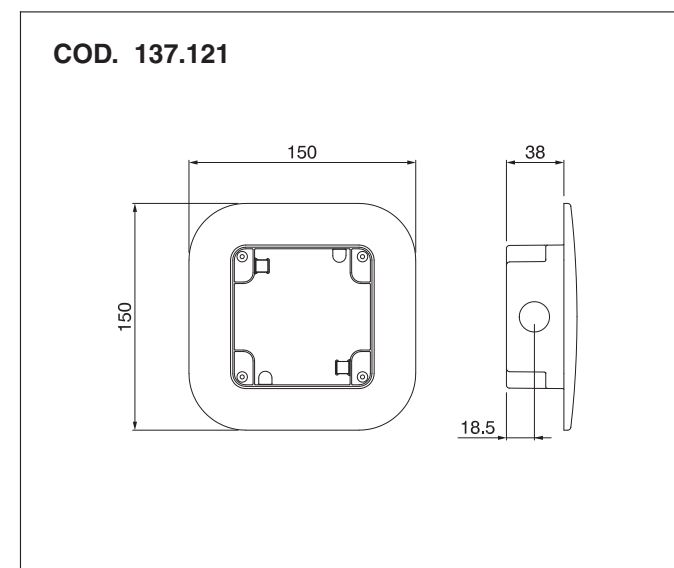
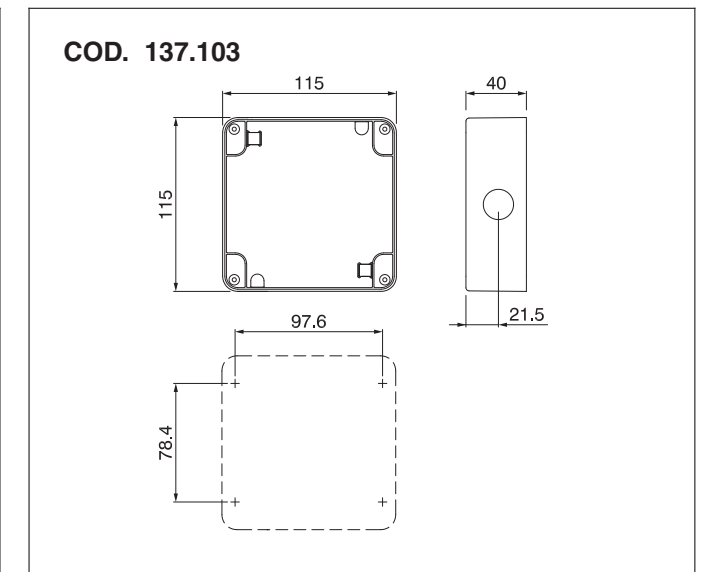
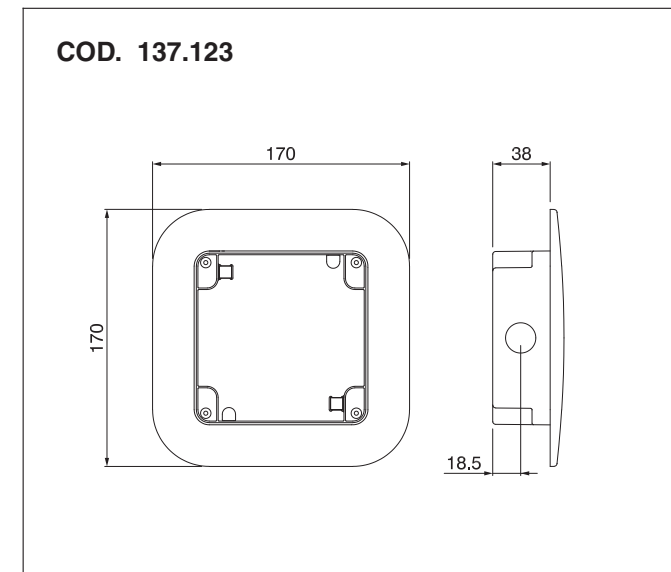
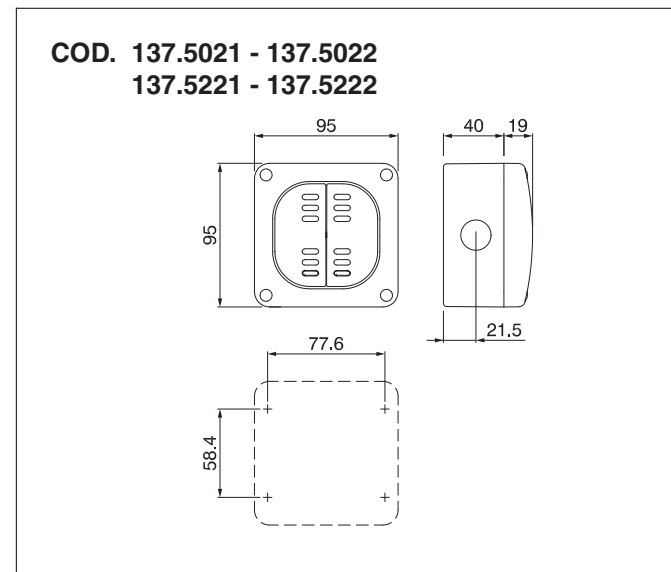
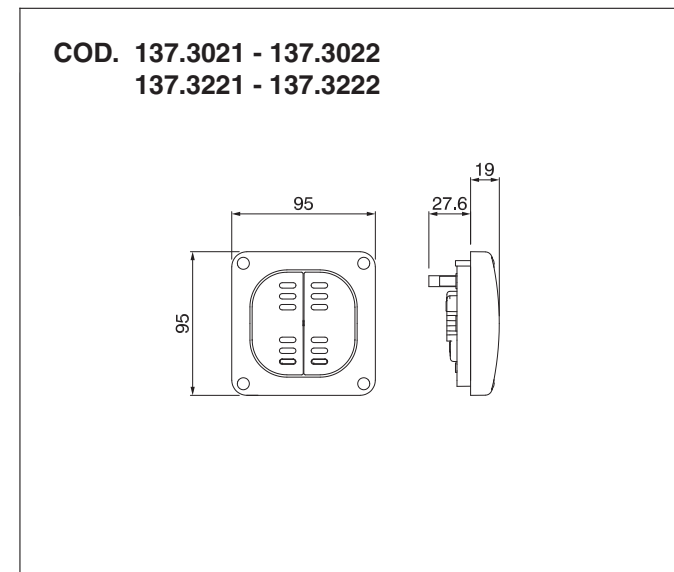
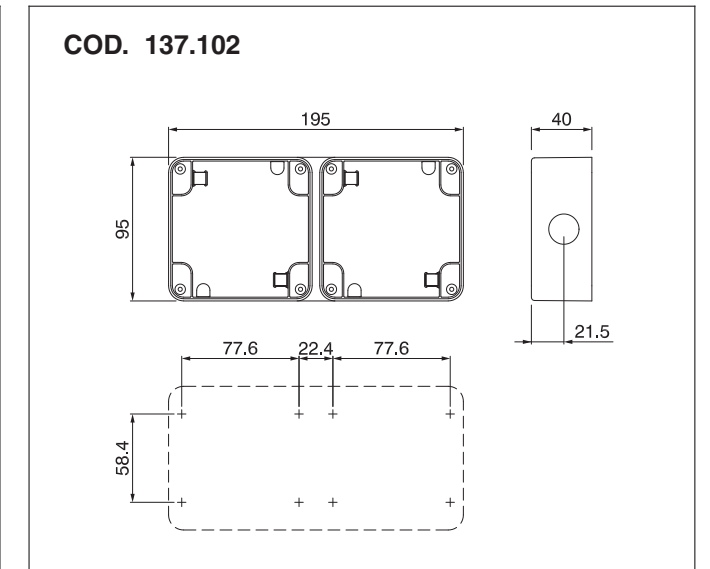
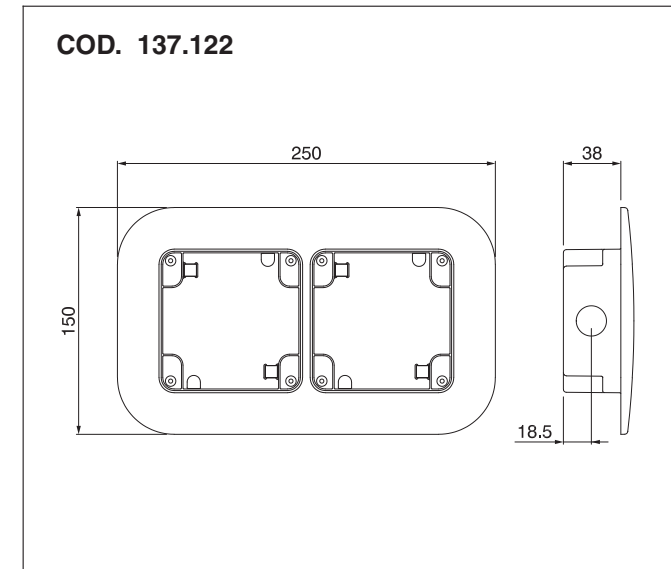
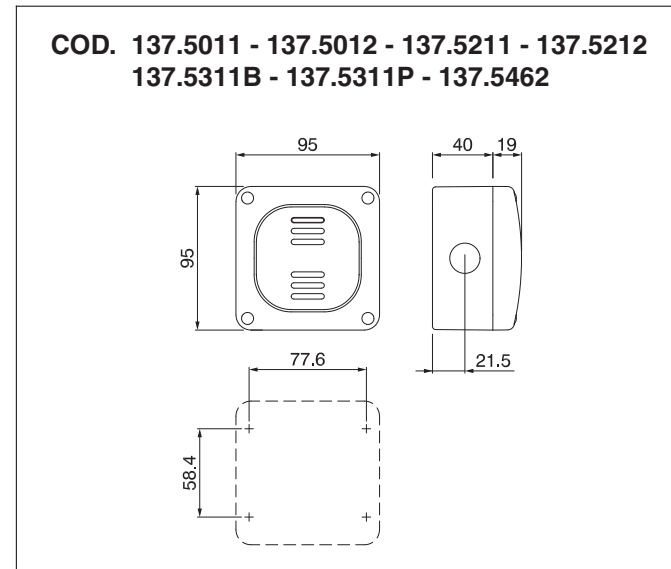
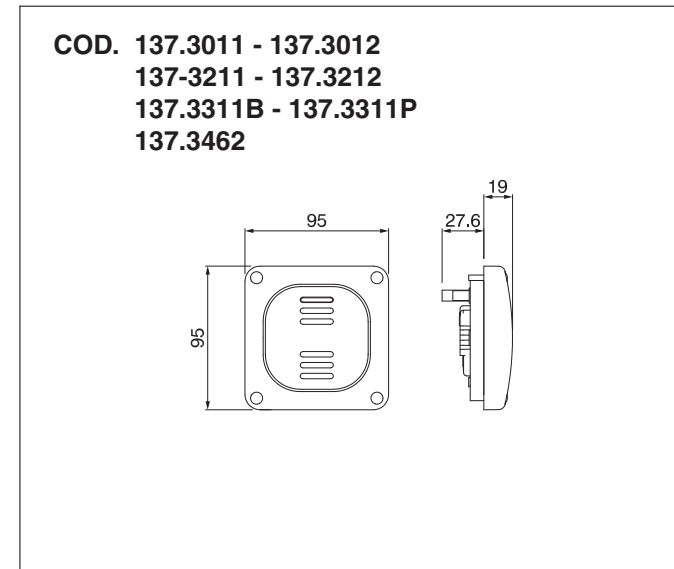
Rated current:	<b>10A - 10AX - 20A - 20AX</b>
Rated voltage:	<b>250V~</b>
Frequency:	<b>50Hz</b>
Insulating voltage:	<b>250V~</b>
Protection degree:	<b>IP66</b>
Operating temperature according to the reference standard:	<b>-5°C+60°C</b>
Max. operating temperature:	<b>60°C</b>
Cabling capacity of the terminal:	<b>3X2,5mm<sup>2</sup> 3x4mm<sup>2</sup> 3x6mm<sup>2</sup></b>
Glow Wire test:	<b>850°C</b>
Halogen free:	<b>Yes</b>
Material:	<b>Engineering plastic</b>
Cable inlets:	<b>Top, bottom and sides M20</b>
Colour:	<b>Grey RAL 7035</b>

## > APPLICATION EXAMPLES



Locator ring on the devices to easily find them

> DIMENSIONS



(Dimensions in mm)

(Dimensions in mm)