

> FLUSH AND SURFACE MOUNTING MODULAR SYSTEM



> VERSIONS

	Consumer unit assembly kit - IP55
	Plates - IP55
	Protection cover - IP20
	Flush mounting box
	Frame - IP55
	Coupling insert
	Surface mounting box - IP67
	Surface mounting system

> REFERENCE STANDARDS

EN 60670-1
General requirements for enclosures for accessories for household and similar fixed electrical installations
Part 2: general requirements

CEI 23-49
Enclosures for accessories for household and similar fixed electrical installations
Part 2: detailed requirements for enclosures for containing protective devices and appliances that under ordinary use dissipate significant energy

> QUALITY MARKS



> TECHNICAL CHARACTERISTICS

Protection degree:	IP44 - IP55 - IP66
Operating temperature according to the reference standard:	-25°C+35°C
Max. operating temperature:	60°C
Glow Wire test:	650°C/850°C
Material:	Engineering plastic
IK degree at 20°C:	IK07 - IK10
Cable inlet:	PG/METRIC
Colour:	Grey RAL 7035
Total insulation	YES

> BEHAVIOUR WITH CHEMICAL AND ATMOSPHERIC AGENTS

Saline solution	Acids		Bases		Solvents				Mineral oil	UV rays
	Concentrated	Diluted	Concentrated	Diluted	Hexane	Benzol	Acetone	Alcohol		
Resistant	Limited Resistance	Resistant	Limited Resistance	Resistant	Not Resistant	Not Resistant	Not Resistant	Limited Resistance	Resistant	Resistant

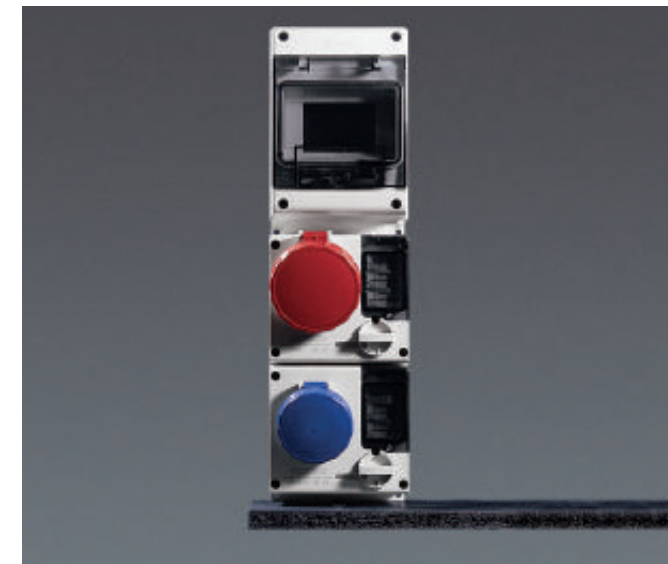
> APPLICATION EXAMPLES



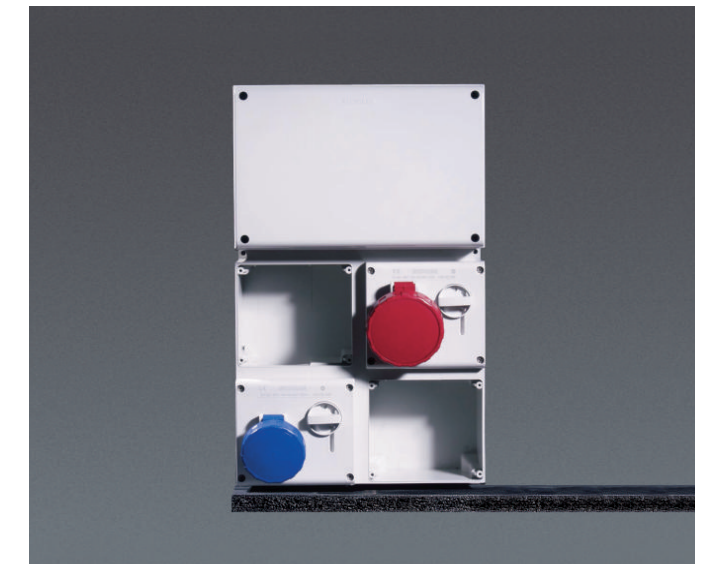
Example of a flush mounting combination: consumer unit, junction box and OMNIA Series interlocked-switch socket outlet. IP55 weatherproof.



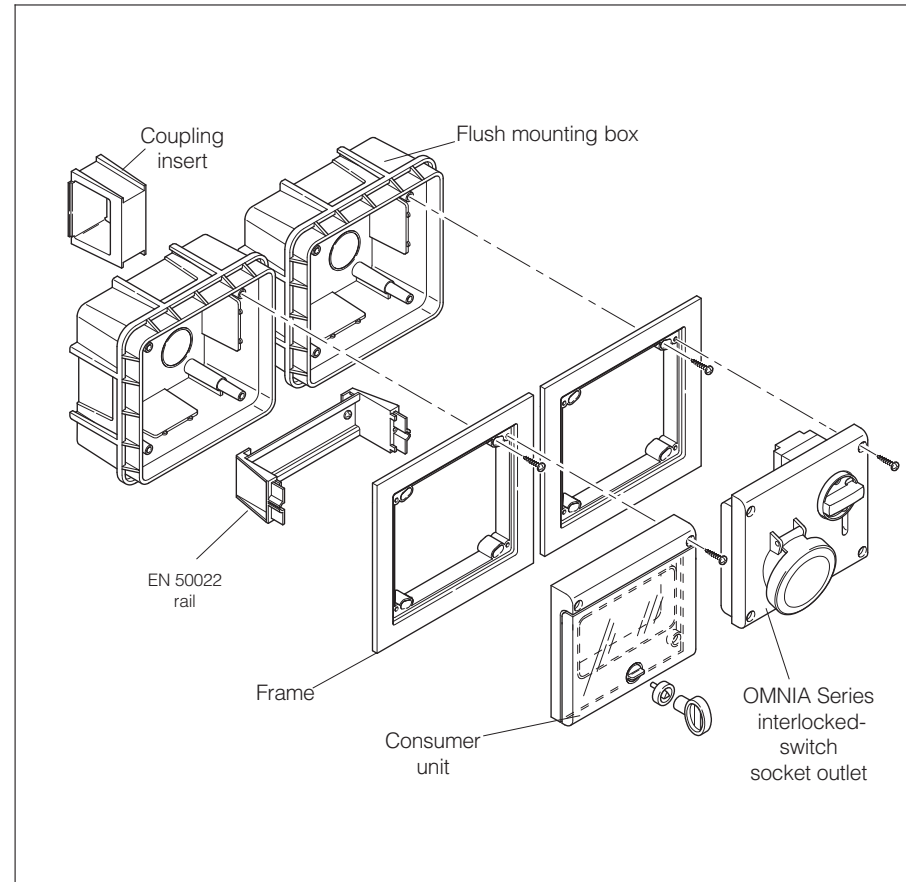
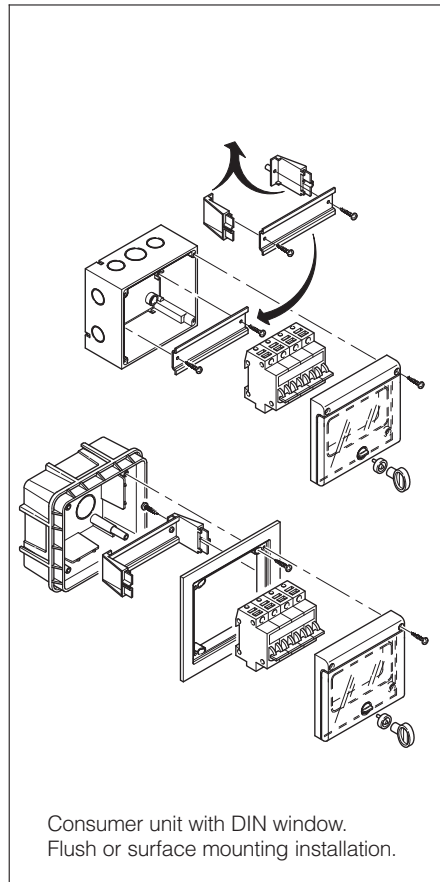
Example of a surface mounting combination: consumer unit and OMNIA Series interlocked-switch socket outlet. IP55 weatherproof.



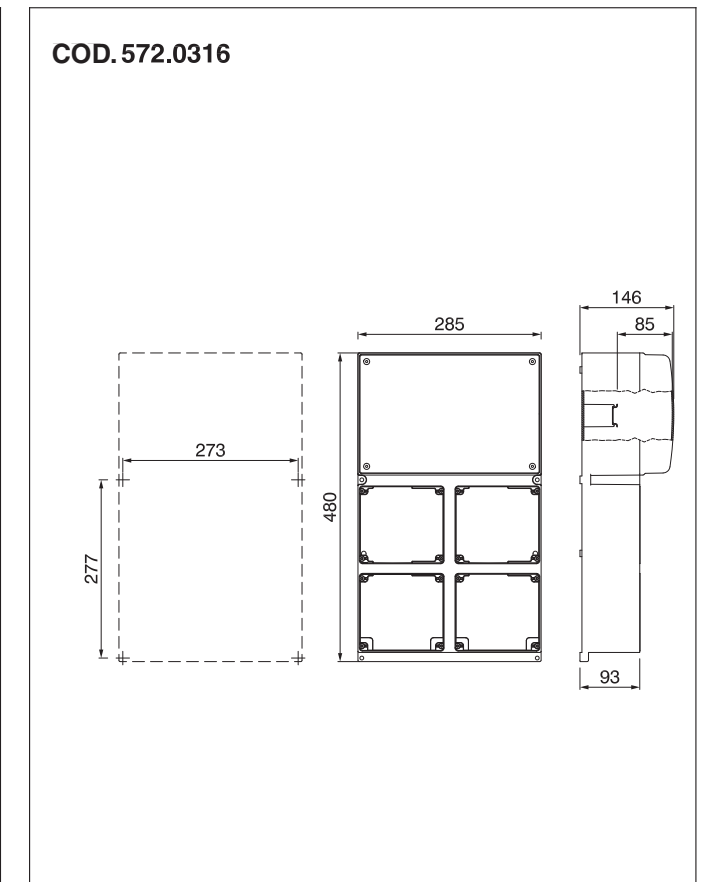
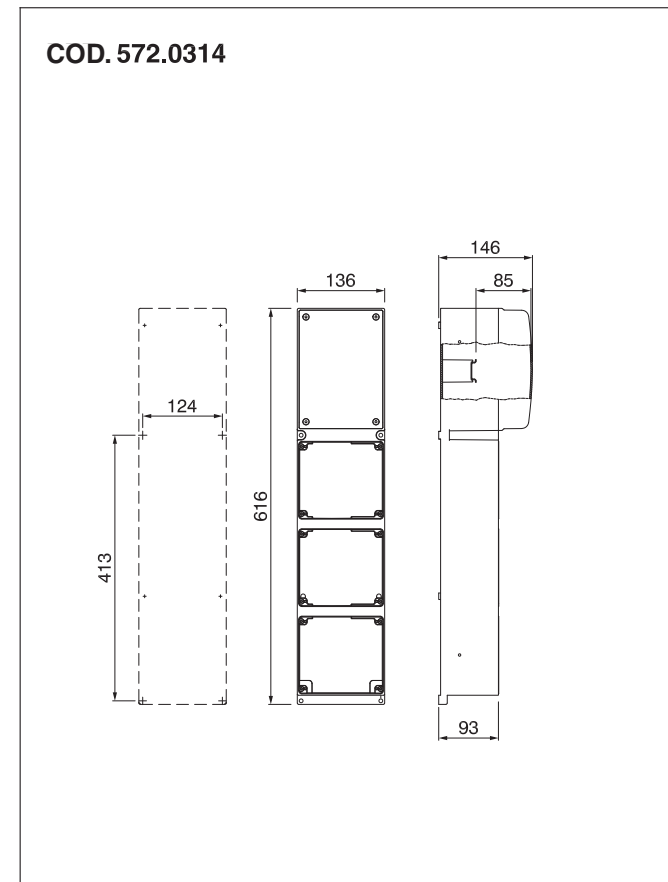
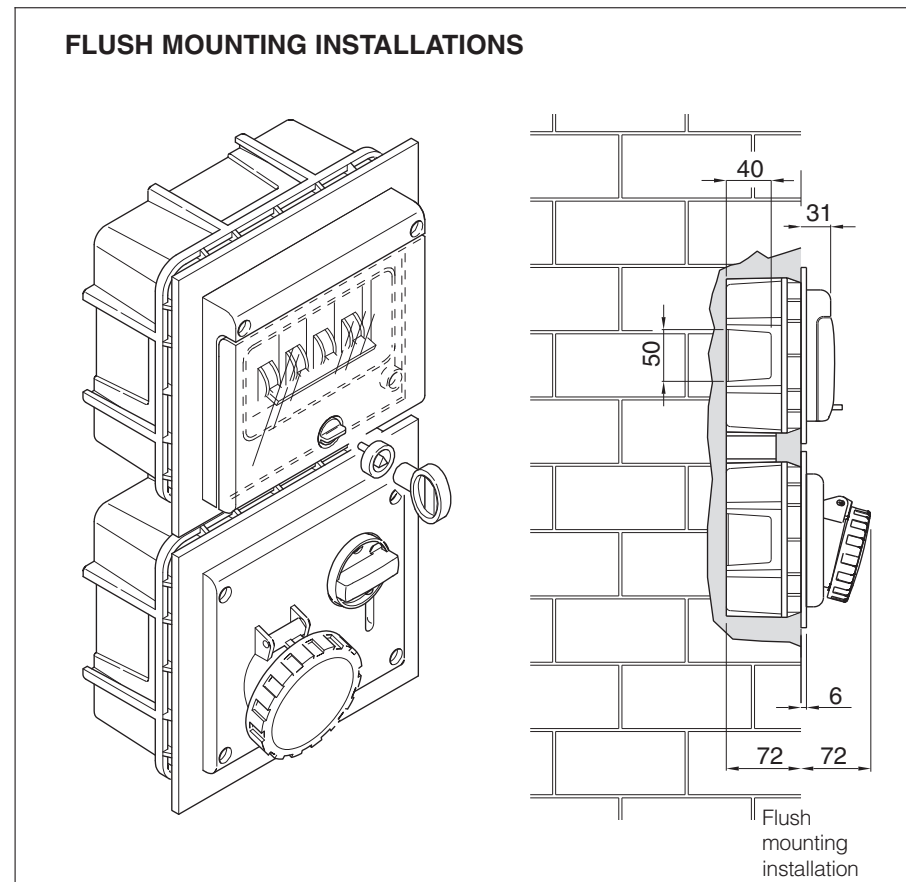
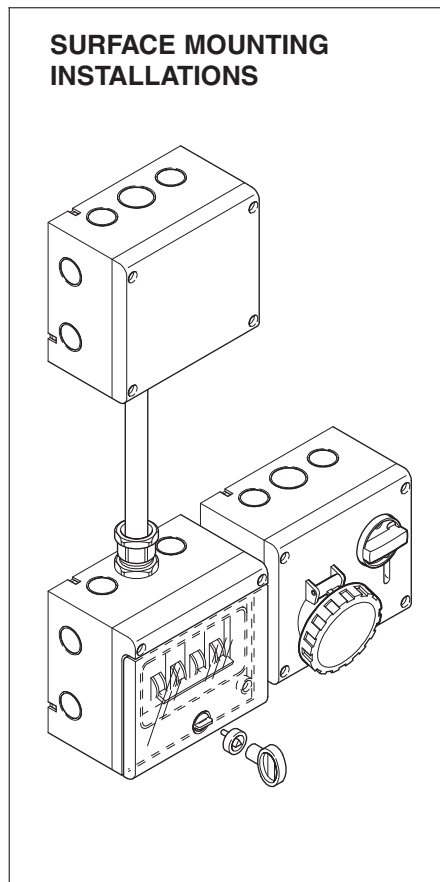
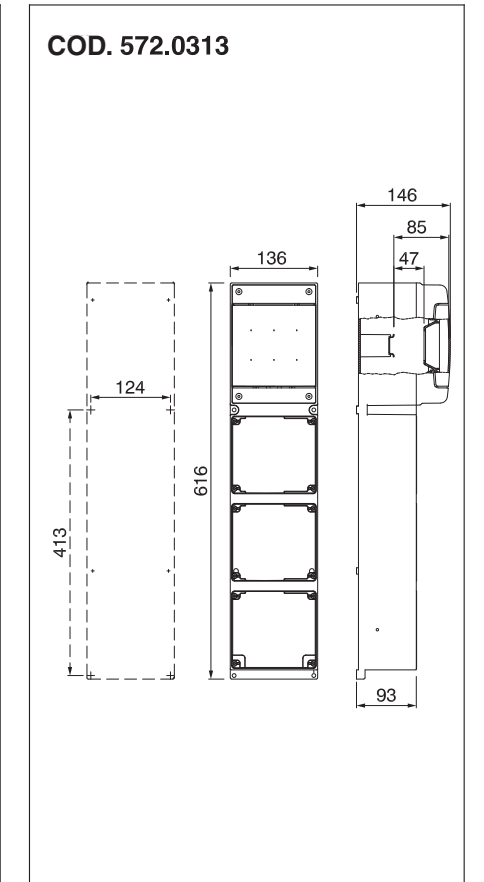
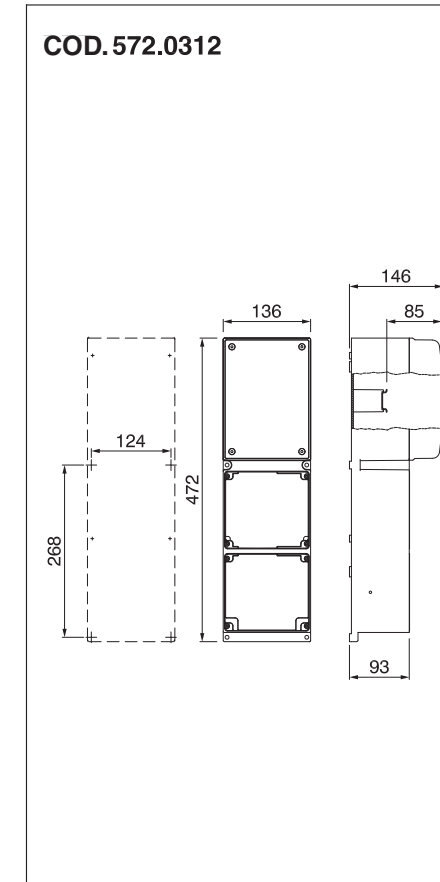
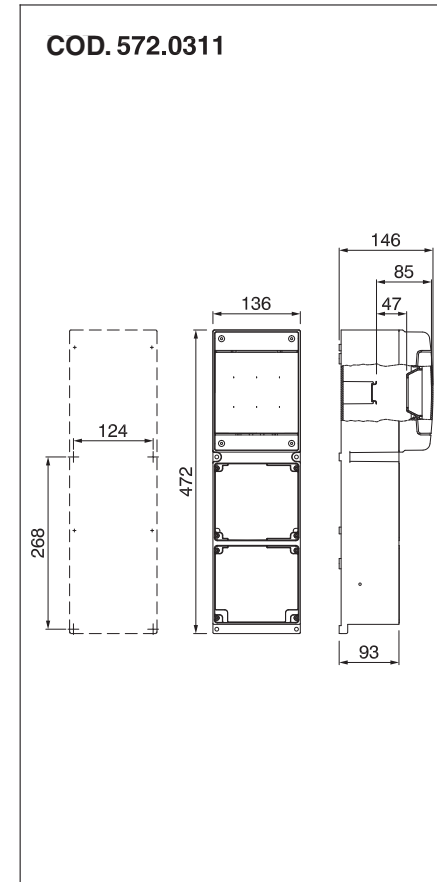
Surface mounting system. Consumer unit 6 DIN system version with OMNIA Series interlocked-switch socket outlet with fuse carrier.



Surface mounting system. Blank plate system with OMNIA Series interlocked-switch outlet without fuse carrier.



> DIMENSIONS



(Dimensions in mm)