



MASTERBOX Series

Distribution assemblies


No. REFERENCE SERIES
663
664
665
666



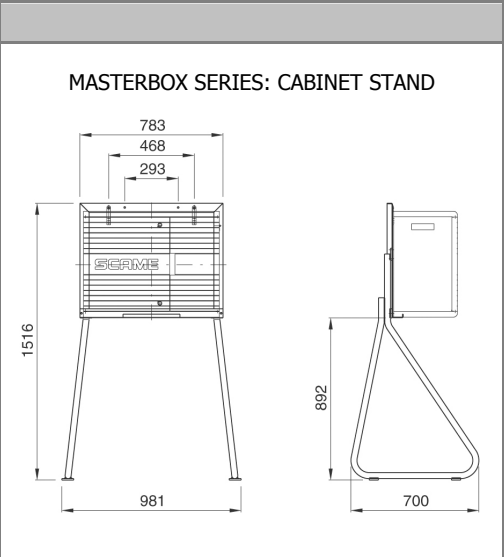
VERSIONS	
	<p>MASTERBOX 3 (470x580x350mm) Capacity: 3 ADVANCE Series 16A 32A or 63A interlocked-switch socket outlets, or 6 QUADRA Series 16A/32A interlocked switch socket or any combination of the above.</p>
	<p>MASTERBOX 5 (740x580x350mm) Capacity: 5 ADVANCE Series 16A 32A or 63A interlocked-switch socket outlets, or 10 QUADRA Series 16A/32A interlocked switch socket or any combination of the above.</p>

REFERENCE STANDARDS
Standards: IEC 60670 EN 60439-1 EN 60439-4

MARKING
Marking: CE Marking 

QUALITY MARKS


TECHNICAL CHARACTERISTICS
Protection degree: IP66
Operating temperature according to the reference standard: -25°C+40°C
Max operating temperature: 60°C
Glow Wire test: 650°C
Material: Engineering plastic
IK degree at 20°C: IK05-IK09
Cable inlet: PG21 – PG29 – PG36
Total insulation <input type="checkbox"/> : YES
Dissipable power according to CEI 23-49 standard: 16-29W
Power output: max. 55KW
Mechanical resistance according to the reference standard: 6J a 20°C
Colour: Grey RAL 7035



BEHAVIOUR WITH CHEMICAL AND ATMOSPHERIC AGENTS										
Saline solution	Acids		Bases		Solvents				Mineral oil	UV rays
	Concentrated	Diluted	Concentrated	Diluted	Hexane	Benzol	Acetone	Alcohol		
RESISTANT	LIMITED RESISTANCE	RESISTANT	LIMITED RESISTANCE	RESISTANT	NOT RESISTANT	NOT RESISTANT	NOT RESISTANT	LIMITED RESISTANCE	RESISTANT	RESISTANT